

T355NCEU

Parts Catalog

목 차

1. 엔진 PART NO. EG

FIG 100 ENGINE	7
FIG 101 CYLINDER HEAD	9
FIG 102 GEAR HOUSING	11
FIG 103 FLYWHEEL HOUSING & OIL SUMP	13
FIG 104 CYLINDER HEAD & BONNET	15
FIG 105 SUCTION MANIFOLD	18
FIG 106 EXHAUST MANIFOLD	20
FIG 107 DIESEL PARTICULATE FILTER(DPF)	22
FIG 108 CAMSHAFT & DRIVING GEAR	24
FIG 109 CRANKSHAFT & PISTON	26
FIG 110 LUB.OIL SYSTEM	28
FIG 111 COOLING WATER SYSTEM	30
FIG 112 FUEL SUPPLY PUMP	32
FIG 113 FUEL INJECTION VALVE	34
FIG 114 FUEL LINE	36
FIG 115 STARTING MOTOR	38
FIG 116 ALTERNATOR	40
FIG 117 ELECTRONIC CONTROL UNIT(ECU)	42
FIG 118 ELECTRIC PARTS	44
FIG 119 ACCESSORY	46

2. 엔진보기품 PART NO. T2

FIG 201 AIR CLEANER	49
FIG 202 RADIATOR	51
FIG 203 MUFFLER	53
FIG 204 FUEL TANK	55
FIG 205 ACCELERATOR	57

3. 클러치/브레이크/스티어링 PART NO. T3

FIG 301 CLUTCH PEDAL	60
----------------------	----

FIG 302 FLYWHEEL & CLUTCH	62
FIG 303 BRAKE PEDAL	64
FIG 304 BRAKE	66
FIG 306 FRONT WHEEL MOUNTING	68
FIG 307 REAR WHEEL MOUNTING	70
FIG 308 STEERING WHEEL	72
FIG 309 STEERING VALVE & TILT	74
FIG 310 STEERING CYLINDER	76
FIG 311 HAND BRAKE LINKAGE	78

4. 트랜스미션 PART NO. T4

FIG 401 TRANSMISSION FRONT CASE	81
FIG 402 INPUT METAL	83
FIG 403 INPUT GEAR	85
FIG 404 4WD DRIVE GEAR	87
FIG 405 MAIN CHANGE GEARS & REVERSE GEARS	89
FIG 406 SUB CHANGE GEARS	91
FIG 407 PINION GEARS	93
FIG 408 P.T.O DRIVE SHAFT	95
FIG 409 P.T.O CHANGE GEARS	97
FIG 410 DIFF LOCK	99
FIG 411 TRANSMISSION REAR CASE	101
FIG 412 REAR AXLE HOUSINGS (1)	103
FIG 413 REAR AXLE HOUSINGS (2)	105
FIG 414 MAIN CHANGE LEVER	107
FIG 415 SUB CHANGE LEVER	109
FIG 416 REVERSE LINK	111
FIG 417 REVERSE CHANGE LEVER	113
FIG 418 4WD CHANGE LEVER	115

5. 프론트 액슬 PART NO. T5

FIG 501 FRONT AXLE BRACKET	118
FIG 502 FRONT DIFF. GEARS & SHAFT	120
FIG 503 FRONT AXLE HOUSING	122
FIG 504 FRONT GEAR CASE (1)	124
FIG 505 FRONT GEAR CASE (2)	126

6. 유압/3점링크 PART NO. T6

FIG 601 GEAR PUMP	129
FIG 602 CYLINDER CASE	131
FIG 603 LIFT ARM	133
FIG 604 CYLINDER	135
FIG 605 POSITION LINK (1)	137
FIG 606 POSITION LINK (2)	139
FIG 607 CONTROL VALVE	141
FIG 608 POSITION LEVER	143
FIG 609 HYDRAULIC PIPE (1)	145
FIG 610 HYDRAULIC PIPE (2)	147
FIG 611 EXTERIOR HYD. VALVE	149
FIG 612 3-POINT LINK	151
FIG 613 HITCH & COVER	154

7. 시트메탈/캐빈 PART NO. T7

FIG 701 HOOD	157
FIG 702 BONNET	159
FIG 704 FENDER & REAR FRAME	162
FIG 705 DASH PANEL	165
FIG 706 FLOOR PANEL	167
FIG 707 SEAT	169
FIG 708 FRONT & REAR MOUNTING	171
FIG 709 ROPS	173

8. 전장 PART NO. T8

FIG 801 BATTERY & MOUNTING	176
FIG 802 LAMP	178
FIG 803 INSTRUMENT PANEL	180
FIG 804 ELECTRIC SYSTEM	182
FIG 805 HARNESS (1)	184
FIG 806 HARNESS (2)	186

9. 라벨/옵션 PART NO. T9

FIG 901 WEIGHT	189
----------------	-----

FIG 902 TOOL & ACCESSORY
FIG 903-1 LABEL (1)

191
193

1. 엔진 PART NO. EG

FIG 100 ENGINE	7
FIG 101 CYLINDER HEAD	9
FIG 102 GEAR HOUSING	11
FIG 103 FLYWHEEL HOUSING & OIL SUMP	13
FIG 104 CYLINDER HEAD & BONNET	15
FIG 105 SUCTION MANIFOLD	18
FIG 106 EXHAUST MANIFOLD	20
FIG 107 DIESEL PARTICULATE FILTER(DPF)	22
FIG 108 CAMSHAFT & DRIVING GEAR	24
FIG 109 CRANKSHAFT & PISTON	26
FIG 110 LUB.OIL SYSTEM	28
FIG 111 COOLING WATER SYSTEM	30
FIG 112 FUEL SUPPLY PUMP	32
FIG 113 FUEL INJECTION VALVE	34
FIG 114 FUEL LINE	36
FIG 115 STARTING MOTOR	38
FIG 116 ALTERNATOR	40
FIG 117 ELECTRONIC CONTROL UNIT(ECU)	42
FIG 118 ELECTRIC PARTS	44
FIG 119 ACCESSORY	46

FIG 100 T355NCEU	ENGINE	년/월 Year/Month
		2022-12
NOTE		

PARTS SUGGESTED LIST

PART NUMBER	DESCRIPTION	QTY for EACH TRACTOR
13151035040	ELEMENT ASSY	1
13151035020	ELEMENT , AIR CLEANER	1
V4011600160	WASHER , SPRING	30
V2193606020	BOLT , HEX/SPL	2
15817401130	GROMMET , 13X17X02	4
14251320150	COUPLING	4
15276040020	CLIP , TRIM	5
V4011600140	WASHER , SPRING	23
V2123606012	BOLT , HEX /SP	15
V2173608025	BOLT , HEX/S	50
V2014616030	BOLT , HEX	16
V7041400250	C-RING , SHAFT	10
V2173608020	BOLT , HEX/S	39
17686641110	RELAY , PREHEAT	2
V2183608020	BOLT , HEX/SP	48
V4011600120	WASHER , SPRING	45
V2183608025	BOLT , HEX/SP	19
V4011600100	WASHER , SPRING	20
V2173612030	BOLT , HEX/S	18
V3043600100	NUT , HEX/2	22
14527042500	NUT COMP , GLASS	4
V4111600100	WASHER , PLAIN	20
V3043600160	NUT , HEX/2	10
V4111600120	WASHER , PLAIN	14
V5502040093	RIVET , BLIND	4
V4111600080	WASHER , PLAIN	29
13016060020	COVER ,LH RR LAMP	1
V3002600060	NUT , HEX/1	2
V4011600060	WASHER , SPRING	5
V4111600140	WASHER , PLAIN	4
14527023300	LAMP ASSY , RR COMBINATION	2
V3043600120	NUT , HEX/2	24
V4011600080	WASHER , SPRING	18
V2173608016	BOLT , HEX/S	16
V3043600140	NUT , HEX/2	8
V2193606012	BOLT , HEX/SPL	4
12009100190	LABEL , WARNING BELT	1
V4111600060	WASHER , PLAIN	7
V5201010022	PIN , PARALLEL/A	14
12009100130	LABEL , DANGER PTO	1
12009100120	LABEL , CAUTION FAN	2
12009100140	LABEL , WARNING DRAW	1
V6001106304	BEARING , BALL	3
12009100230	LABEL , CAUTION OPERATION	1
V2193606016	BOLT , HEX/SPL	17
12009100060	LABEL , WARNING DIFF	1
17689100170	LABEL , CAUTION SAFETY	1
12009100050	LABEL , WARNING FIRE	1
14722312401	DAMPER , OIL	1
12009100210	LABEL , WARNING THROTTLE	1

PART NUMBER

DESCRIPTION

QTY for EACH TRACTOR

16003302101	TANK ASSY , RESERVE	1
13377210020	WASHER , 11X24X3	2
V3043600080	NUT , HEX/2	12
20115300010	RELAY ASSY , TWIN	1
V5001920015	PIN , SPLIT	2
16705125201	LEVER COMP , AUX2	1
V3042600080	NUT , HEX/2	15
13016061300	FIX PLATE , RR LAMP	2
12209045051	LABEL , ROPS WARNING/REMODELING	1
14215020020	PIN , LINK	3
13016060030	COVER , RH RR LAMP	1
V2183608030	BOLT , HEX/SP	2
V3802600080	NUT , HEX FLANGE	14
14541062000	COOLER COMP , OIL	1
13267028202	SOCKET ASSY , TRAILER	1
12009100160	LABEL , DANGER RIDING	1
V1222604012	SCREW , C/R PAN/SP	2
12009100010	LABEL , WARNING SUB SHIFTER	1
V5001920020	PIN , SPLIT	14
15601160083	PIN , 06X16	1
V2183608016	BOLT , HEX/SP	22
12009100150	LABEL , WARNING RADIATOR	1
12009100040	LABEL , WARNING STOP VALVE	1
16702190060	GRIP , 4WD	1
17699100090	LABEL , WARNING JOYSTICK	1
18027090800	BAND CLAMP 80 EMBO TYPE	1
V5601600008	PIN , SNAP	6
12147078721	KEY SET	1
V6001106205	BEARING , BALL	4
17699100100	LABEL , WARNING JOYSTICK	1
V7211031030	O-RING , G	1
12009100080	LABEL , WARNING TILTING	1
14322420010	PIN	6
12609040620	LABEL , STARTING WARNING	1
V2173612040	BOLT , HEX/S	24
V2113606012	BOLT , HEX /S	5
15603200010	BOLT , STUD M16X30	8
14726071101	GRIP COMP	1
13011042100	RADIATOR SET	1
V2173612035	BOLT , HEX/S	6
12009100070	LABEL , WARNING BRAKE	1
V2323606016	BOLT , C/R HEX/SP	22
V2113606030	BOLT , HEX /S	1
16705020050	PIN , 19X69	2
12209045010	LABEL , ROPS DANGER	1
17689200050	LABEL , DIFF	1
12382323001	MAGNETIC ASSY , CRUISE	1
15605150031	HOSE , 100	1
16505245501GB	LINK ASSY , TOP LINK	1
12209045020	LABEL , ROPS WARNING	1

PART NUMBER DESCRIPTION QTY for EACH TRACTOR

V2013610030	BOLT , HEX	1
V2183610025	BOLT , HEX/SP	7
V2173608045	BOLT , HEX/S	10
12651040300	CAP , RADIATOR	1
35602010150	WASHER , BIND SHAFT	11
13016063000GB	PLATE COMP , RH RR LAMPCOVER	1
V7201024018	O-RING , P	1
13016062000GB	PLATE COMP , LH RR LAMPCOVER	1
14721062300	UNION UNIT , OIL COOLER	2
V2013614035	BOLT , HEX	4
37371720090	CLAMP , W/HARNESS	1
14545300020	POTENTIOMETER ASSY	1
12624052702	HOSE ASSY , RH HYD 670	1
12624052802	HOSE ASSY , LH HYD 770	1
14326510210	CAP , RUBBER 20	4
11644012302	CAP(TYM) , STEERING WHEEL	1
11116502001	CABLE ASSY . BATTERY	1
14524054003	STEERING VALVE UNIT	1
V3343600100	NUT , HEX FINE/2	1
16606510210	CAP , RUBBER 30	5
V1122605012	SCREW , C/R FLAT	2
13251743000	LIGHT SET , WORKING LAMP	1
14051060030	WASHER	2
14272010160	CAP	8
14272010160	CAP	8
15605250030	BAND , 470	1
12382325000	ROD ASSY , HST	1
14045030060	PACKING , OIL PUMP	2
18027090400	BAND CLAMP 40 EMBO TYPE	11
V2183608035	BOLT , HEX/SP	2
V2113606020	BOLT , HEX /S	3
V7201124020	O-RING , P	1
V2013608035	BOLT , HEX	2
14445070030	GRIP , LEVER	2
36313530021	ADAPTER , HIGH-PRESSURE	1
13424020060	CABLE TIE , 300	9
V1112605030	SCREW , C/R PAN	7
14526210301	CUSHION RUBBER , RADIATOR	2
14979010070	LABEL , SHIFT	1
16606070031	CAP , 9	6
12385142300	PIN COMP , RH	1
15640040001	VALVE , SUB FLOW CONTROL	1
V3342600100	NUT , HEX FINE/2	5
14043120060	PIN , YOKE	2
17406203201GB	GRILLE COMP	1
V5211008016	PIN , PARALLEL/B	3
15966250010	INSULATOR	4
V7631500000	NIPPLE , GREASE/B-PT	3
10011162400	RUBBER , WIRE RETAINING	1
17401117100	FUEL HOSE, RETURN A	2

PART NUMBER

DESCRIPTION

QTY for EACH TRACTOR

13602470020GB	LINK , HITCH	1
15603102011	PLATE COMP , DISK	6
13605200012GB	COVER , SHIELD	1
13764020030	CABLE TIE , 140	4
17406525002	HEAD LAMP ASSY , RH	1
14586702100	SWITCH ASSY , LIMIT	1
17406524002	HEAD LAMP ASSY , LH	1
12355104702GB	PIPE COMP , RR MAIN	1
15189240160	NUT , NYLON , M16	2
12354100010GB	SHAFT , 4WD	1
V2014614035	BOLT , HEX	2
14256210040	CLAMP , 9	8
18027090160	BAND CLAMP 16 EMBO TYPE	17
17415100000	GEAR PUMP ASSY (9cc)	1
36423600080	CLIP , HOSE D=12.5	2
14726642000	SWITCH SET , PUSH CRUISE	1
V2193606025	BOLT , HEX/SPL	2
13606313000	MIRROR ASSY	2
37371540030	RUBBER , SEAT	1
15605110054	GRIP , 3X17X97	1
12346682200	HARNESS ASSY, ALTERNATOR	1
12656060041SR	FENDER , LH	1
14722312730	PAD	2
14722312730	PAD	2
13012060070	RUBBER ,8.5X30X5	2
10526060021SR	FENDER , RH MUD GUIDE	1
11101032400	SPONGE , AIRCLEANER	2
19955100010	HOSE , 26X34X60	1
14443272021	PLATE , SEPARATE	4
12136213210	KEY , BONNET OPEN	1
14443140091	CAP , PTO SHAFT	1
17995010150	HOSE . 500	1
17461036301	VELT(A40.5)	1
17406203700GB	NET , UPR/RH	1
V2013612080	BOLT , HEX	4
V2173608030	BOLT , HEX/S	3
17401042201	SHROUD	1
13266212003	HORN	1
V2014612160	BOLT , HEX	8
V3302600140	NUT , HEX FINE/2	1
36217020030	WASHER , PULLEY	4
12354102300GB	COVER COMP , 4WD SHAFT	1
12385142200	PIN COMP , LH	1
14526642101	CASE ASSY,FUSE	1
V2183612020	BOLT , HEX/SP	8
16700070000	VALVE ASSY , RELIEF	1
13606571000	REAR REFLECTOR	2
V2173608085	BOLT , HEX/S	2
18021032100	INDICATOR , REX770050 5KPa	1
V2113606025	BOLT , HEX /S	2

PART NUMBER DESCRIPTION QTY for EACH TRACTOR

18027090700	BAND CLAMP 70 EMBO TYPE	2
13367023400	LAMP ASSY , STOP	2
15945170030GB	CLIP	2
12209040030	LABEL , ROTARY	2
12355134401GB	PIPE COMP , PUMP	1
11106684300	HARNESS ASSY , EARTH	1
13016020010	BOLT, FIX	2
36576180050	RUBBER , CUSHION	1
13015300010	COVER , JOYSTICK	1
13267060022	PLUG , DRAIN	1
12381212000	DAMPER FLANGE ASSY	1
V2123606030	BOLT . HEX /SP	5
13151032300	BRACKET COMP , GUIDE	1
13011040321	INSULATOR , RADIATOR	1
12352302000	HST(37cc) ASSY	1
S0973063031	PIN ASSY	1
V2513412045	BOLT , STUD/2	2
V2053606035	BOLT , HEX C/R	4
V2174612040	BOLT , HEX/S	16
14521042341	SPONGE , SIDE(430)	2
36753302201GB	HOLDER COMP , TANK/RESERVE	1
V2173608050	BOLT . HEX/S	2
14835182001	VALVE ASSY , PTO	1
12009040041	LABEL , HYDRAULIC CONTROL	1
12351063400GB	PIPE COMP , RR COOLER/OUT	1
14885251100	HOOK , TOPLINK	1
15252470010	RUBBER , CUSHION	1
12351063500GB	PIPE COMP , RR COOLER/IN	1
14466220030	COVER	1
16703270011	CAM	2
15062470050	PIN , DRAW BAR	1
17406203500GB	NET , UPR/LH	1
19027750021	GRIP COMP , JOYSTICK	1
14441010161	CLAMP , RADIATOR HOSE	2
12396013900GB	LEVER COMP . JOYSTICK	1
17415200001	GEAR PUMP ASSY (6.5cc)	1
12120028430	SWITCH , BATTERY	1
17406203600GB	NET , LOW/LH	1
17405104100GB	PIPE COMP , FR MAIN	1
13607010012GB	NUMBER PLATE	1
15189030060	LABEL , PORT	1
13151035001	AIR CLEANER SUB ASSY,G057512	1
12355134502GB	PIPE COMP , TANK	1
14887024000	LAMP ASSY , NUMBER PLATE	1
17401040010	HOSE , RADIATOR INLET	1
17406682008	HARNESS ASSY , E/G	1
12382702000	MID PTO ASSY	1
11106685001	HARNESS ASSY, HEAD LAMP	1
12132442400	GRIP COMP , SUB SHIFT GRIP	1
13011042300GB	NET COMP	1

PART NUMBER DESCRIPTION QTY for EACH TRACTOR

V2013608100	BOLT , HEX	2
15603160025	TUBE , STRAIGHT 80	1
16705143002GB	BRACKET COMP , LH CHECK	1
13305080150	VALVE SUB , AUX EXTERIOR 2P	1
13602470010GB	LINK , DRAW BAR	1
12383200011M	HOUSING , RR AXLE	2
14942632110GB	LEVER , 4WD	1
14521042360	SPONGE , FRONT 430	2
15155152901GB	PIPE COMP , FR SUCTION	1
14729020110	LABEL , DANGER	1
17406203800GB	NET , LOW/RH	1
16702212000	CLUTCH ASSY , PTO CLUTCH	1
14729040200	LABEL , PTO LEVER	1
14726400010	SEAL , HANDBRAKE	1
14886562000	LAMP ASSY , POSITION	2
12133030020	GRIP , ORANGE	1
17406870011GB	BRACKET, BATTERY FIX	1
13017020040GB	PLATE , W/O ROPS	2
V2123606020	BOLT , HEX /SP	2
14724010052	BOOT , TILT	1
14661024200	HOSE , FUEL/155	1
12383240010	SHAFT , RR WHEEL	2
17401030030	HOSE , AIR OUTLET	1
V2003616070	BOLT , HEX	2
16703270021	METAL , BRAKE	1
14722312802GB	PEDAL COMP , REVERSE	1
16705143102GB	BRACKET COMP , RH CHECK	1
18027090500	BAND CLAMP 50 EMBO TYPE	3
12386312301GB	PANEL COMP , SEAT	1
16703292501	ROD COMP , HOOK 504	2
17404072501GB	PLATE COMP, C	1
14576252200GB	PLATE COMP	4
14661032601	BRACKET COMP , CABLE HOOK	1
14253610010	TUBE(12.4-24)	2
16703172002GB	BRACKET COMP , TOP LINK	1
12341044110DD	SHIED, ALTERNATOR	1
12383270010M	COVER , BRAKE	2
16703270040	METAL , BRAKE	1
12383270010M	COVER , BRAKE	2
12382200200M	METAL , BEARING	1
16707109900	VALVE ASSY , SLOW RETURN	1
14722312703GB	PEDAL COMP , FORWARD	1
12666311010	GLASS , FR 40	2
12352400010M	CASE , RR TRANSMISSION	1
16703270090	ARM , BRAKE	2
12382200011M	CASE , MID TRANSMISSION	1
16701015001	PLUG ASSY , DRAIN (MAGNET)	2
12382710010	SHAFT , MID PTO	1
12382712110	GEAR , SPUR 35T	1
12382710020	SHAFT , MID PTO COUNTER	1

PART NUMBER

DESCRIPTION

QTY for EACH TRACTOR

15945170040GB	CLIP	3
13834012100	STEERTING WHEEL	1
12386310010	MAT , FLOOR	1
11147022200	GAS SPRING , ROPS	1
12386312001GB	PANEL COMP , FLOOR	1
V2023612045	BOLT , HEX FINE	4
17461032300	SPACER	1
12352100011M	CASE , FR TRANSMISSION	1
V2163808020	BOLT , HEX/P	8
17409209010	LABEL , OPERATION/DPF REGEN SWITCH	1
V2513412090	BOLT , STUD/2	2
V7641500000	NIPPLE , GREASE/C-PT	1
16991600090	PROTECTOR , 70	1
17401040020	HOSE . RADIATOR OUTLET	1
17461032200GB	ALTERNATOR PLATE	1
12345153300GB	PIPE COMP , FR SUCTION	1
12136112001	SEAT ASSY	1
15004170010	TUBE , 8-16	2
12341054200DD	PIPE COMP, EXHAUST	1
V2013608095	BOLT , HEX	2
13016313100GB	STAY SUB , SIDE MIRROR	2
12135110050	GRIP , ORANGE	1
14726063502SR	FENDER COMP , LH	1
17409132100GB	BRACKET COMP , WEIGHT	1
17416031022NB	COVER , LOW DASHPANEL	1
14726063602SR	FENDER COMP , RH	1
14881116200	TANK SUB	1
12136020650	CABLE ASSY , HOOD	1
12136503001	HARNESS	1
12519100140	LABEL , JACK POINT	1
V3343600120	NUT , HEX FINE/2	4
13603063000	PIN ASSY	1
V2183608065	BOLT , HEX/SP	1
V2512608025	BOLT , STUD/2	2
V2323606020	BOLT , C/R HEX/SP	10

FIG 100 T355NCEU		ENGINE						년/월 Year/Month	
								2022-12	
KEY NO		PART NO	DESCRIPTION	SPEC	QTY	REPAIR	EFFECTIVE DATE	REMARKS	
100	1	17401010002	엔진 , 3TNV88C-KKTF		1				
NOTE									

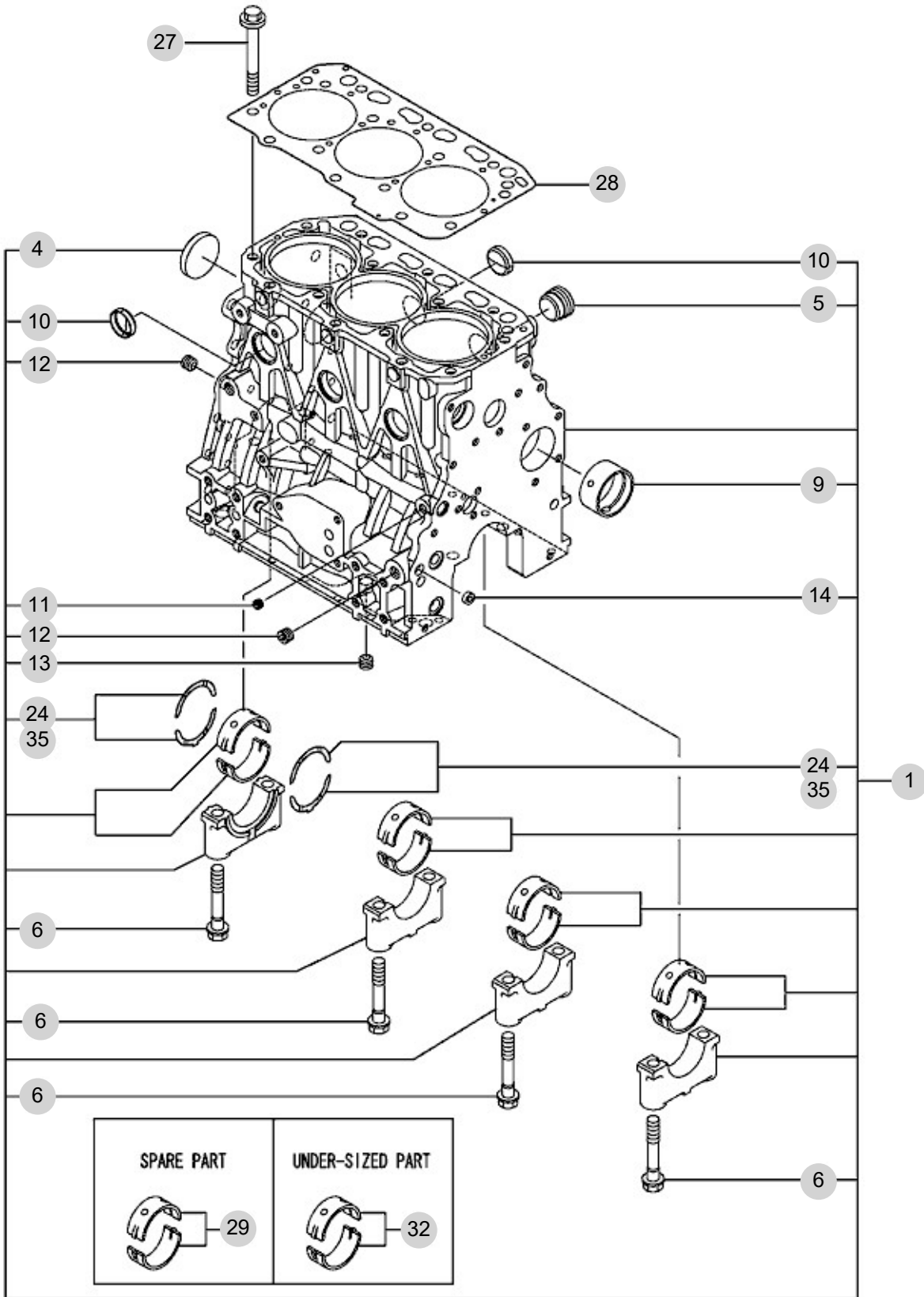
FIG 101

CYLINDER HEAD

년/월
Year/Month

T355NCEU

2022-12



NOTE

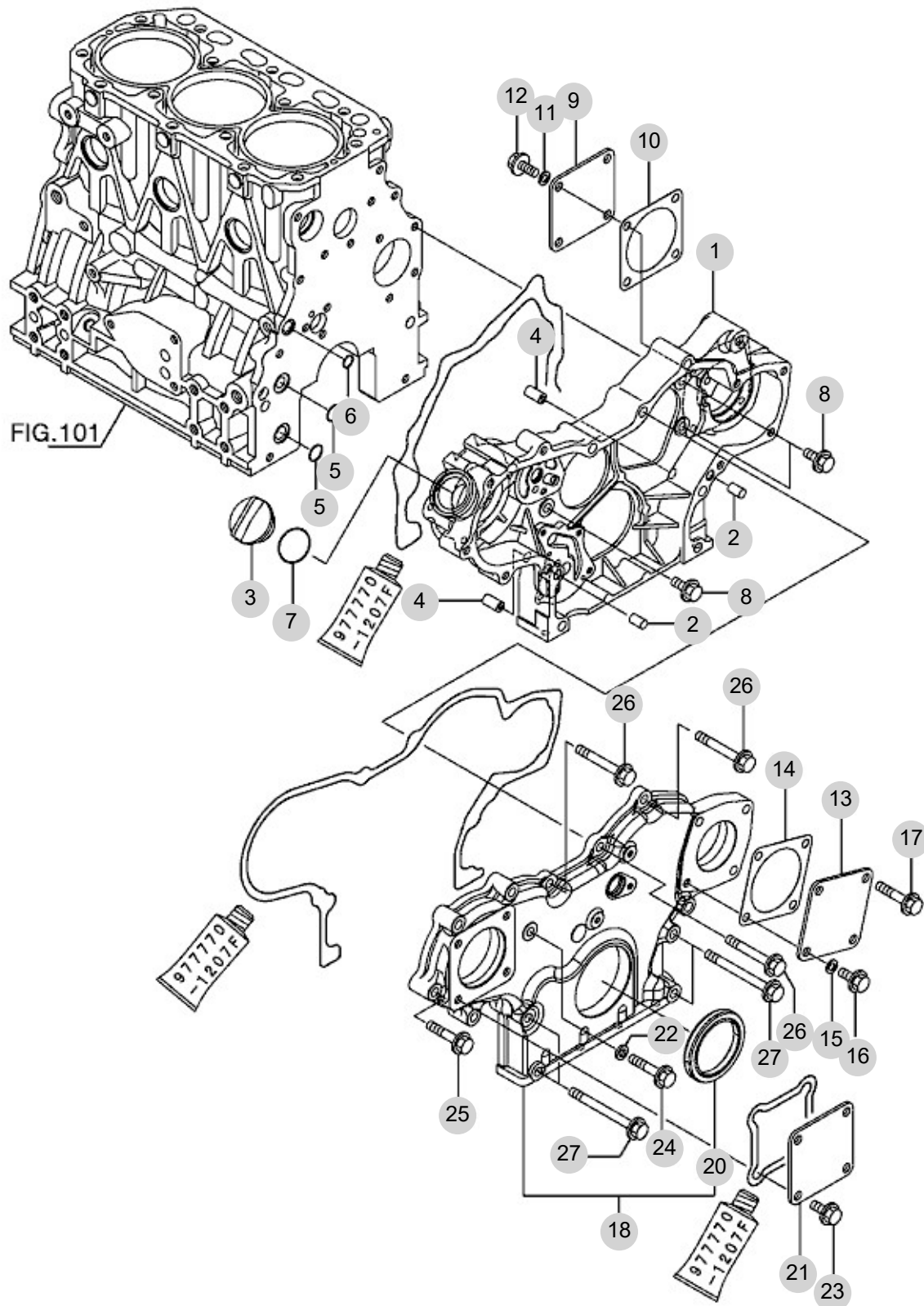
FIG 102

GEAR HOUSING

년/월
Year/Month

2022-12

T355NCEU



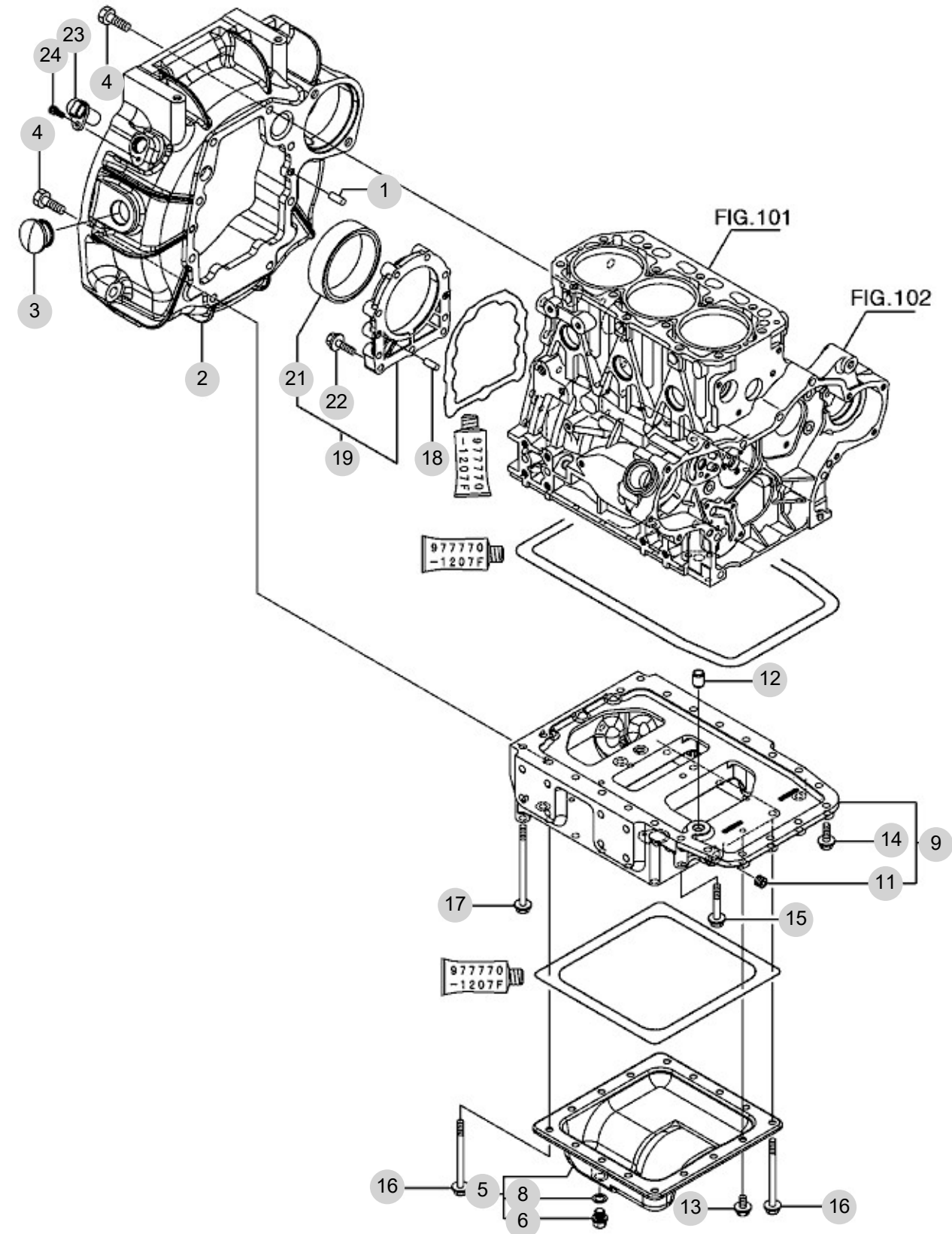
NOTE

FIG 103

FLYWHEEL HOUSING & OIL SUMP

년/월
Year/Month

2022-12



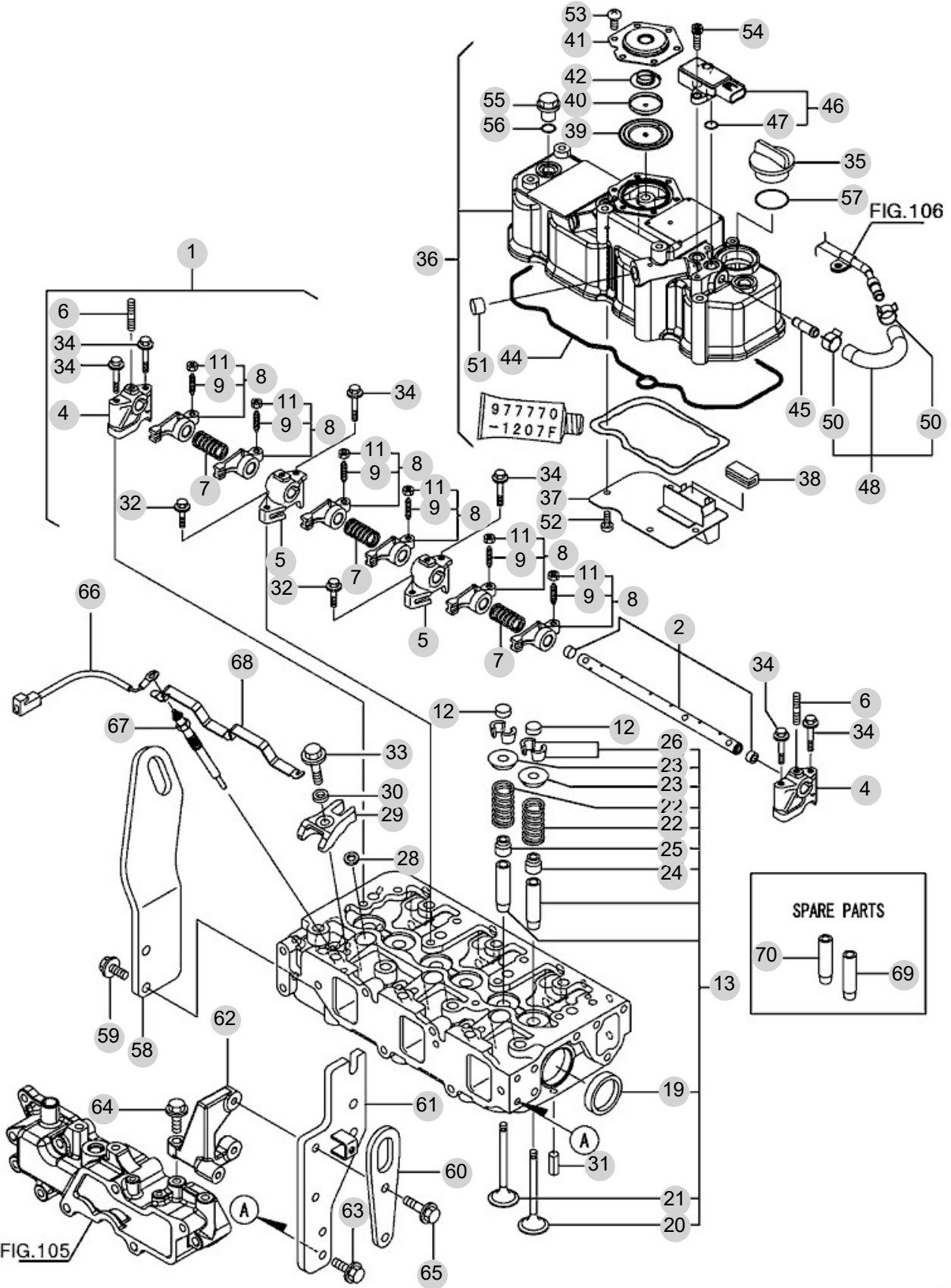
NOTE

FIG 104

CYLINDER HEAD & BONNET

년/월
Year/Month

2022-12



NOTE

FIG 104		CYLINDER HEAD & BONNET					년/월 Year/Month		
							2022-12		
T355NCEU		KEY NO	PART NO	DESCRIPTION	SPEC	QTY	REPAIR	EFFECTIVE DATE	REMARKS
104	1	129004-11241	SHAFT ASSY, ROCKER			1			
104	2	129004-11251	SHAFT, ROCKER ARM			1			
104	4	119802-11260	SUPPORT, ROCKER ARM			2			
104	5	119802-11270	SUPPORT, ROCKER ARM			2			
104	6	119802-11280	STUD			3			
104	7	129150-11280	SPRING			3			
104	8	129004-11650	ARM, ROCKER			6			
104	9	129150-11230	SCREW, VALVE ADJUST			6			
104	11	129150-11750	NUT, M8			6			
104	12	129150-11370	CAP, VALVE			6			
104	13	129A00-11710	HEAD ASSY, CYLINDER			1			
104	19	27241-400000	PLUG, 40			2			
104	20	129005-11100	VALVE, INTAKE			3			
104	21	129100-11112	VALVE, EXHAUST			3			
104	22	129795-11120	SPRING, VALVE			6			
104	23	129795-11180	RETAINER, SPRING			6			
104	24	124460-11340	SEAL, VALVE STEM			3			
104	25	129A00-11340	SEAL, VALVE STEM			3			
104	26	27310-080001	COTTER, 8			6			
104	28	129978-11871	GASKET,INJECTOR			3			
104	29	129A00-11900	RETAINER, INJECTOR			3			
104	30	120270-54410	WASHER, INJECTOR			3			
104	31	22351-060012	스프링핀			2			
104	32	26106-080252	육각플랜지볼트			2			
104	33	26106-080352	육각플랜지볼트			3			
104	34	26106-080502	BOLT, M8X 50 PLATED			6			
104	35	124160-01751	COVER, FILLER			1			
104	36	129A00-11350	BONNET ASSY			1			
104	37	129004-03010	PLATE			1			
104	38	129150-03070	BAFFLE, BREATHER			1			
104	39	123907-03100	DIAPHRAGM			1			
104	40	123907-03110	PLATE			1			
104	41	123907-03120	PLATE, BREATHER			1			
104	42	123907-03140	SPRING, DIAPHRAGM			1			
104	44	129A00-11310	GASKET, BONNET			1			
104	45	129A00-11330	JOINT			1			
104	46	129A00-12703	SENSOR,PRESSURE			1			
104	47	129A00-12780	O-RING,PRES SENSOR			2			
104	48	129A00-13360	HOSE ASSY, PRES EXH			1			
104	50	129A00-13380	CLIP, HOSE 14			2			
104	51	119640-61400	PLUG			1			
104	52	22857-500100	SCREW, 5X10			4			
104	53	22857-500100	SCREW, 5X10			6			
104	54	26450-060162	BOLT, M6X 16			2			
104	55	124160-11360	KNOB			3			
NOTE									

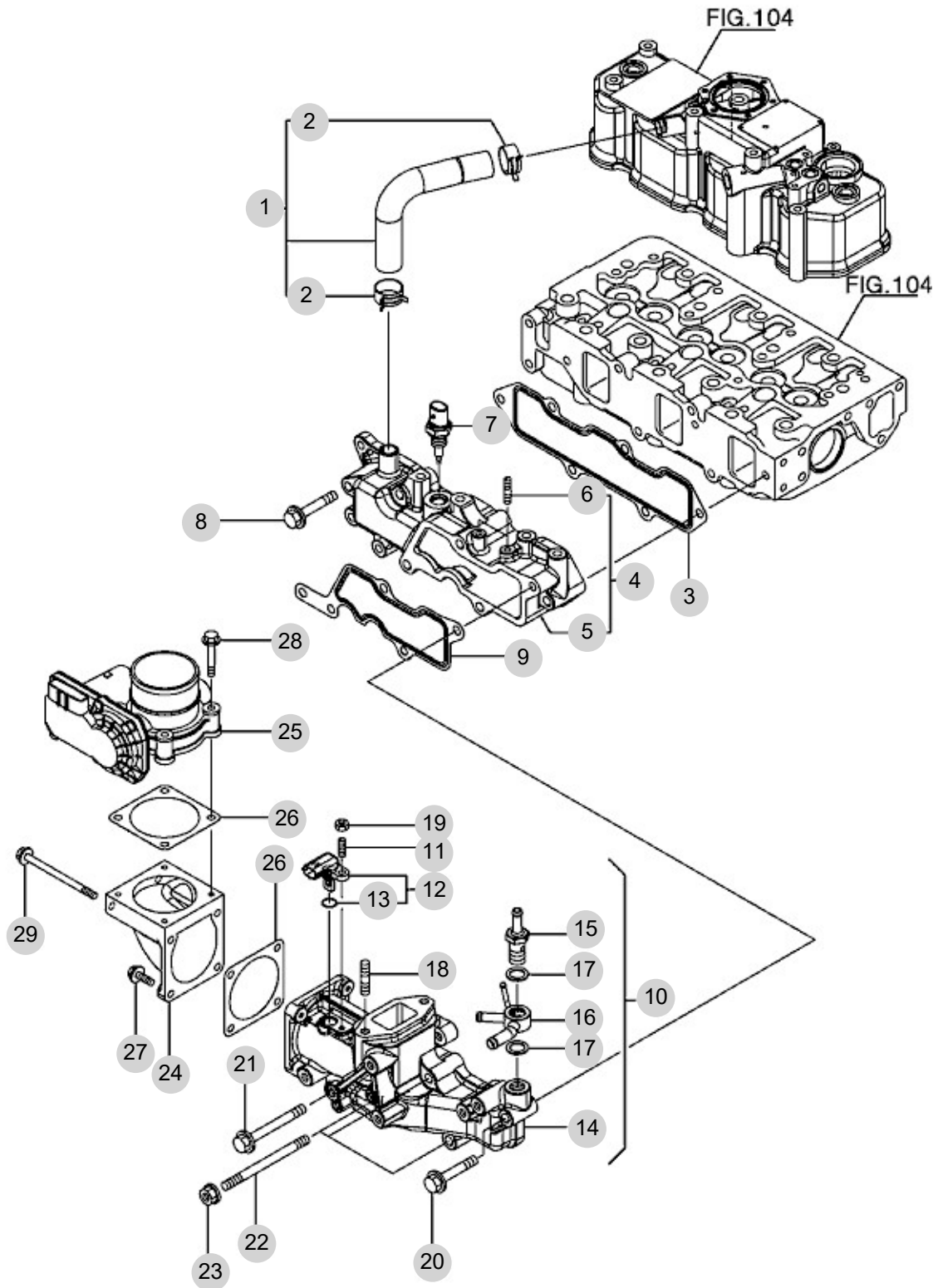
FIG 105

SUCTION MANIFOLD

년/월
Year/Month

2022-12

T355NCEU



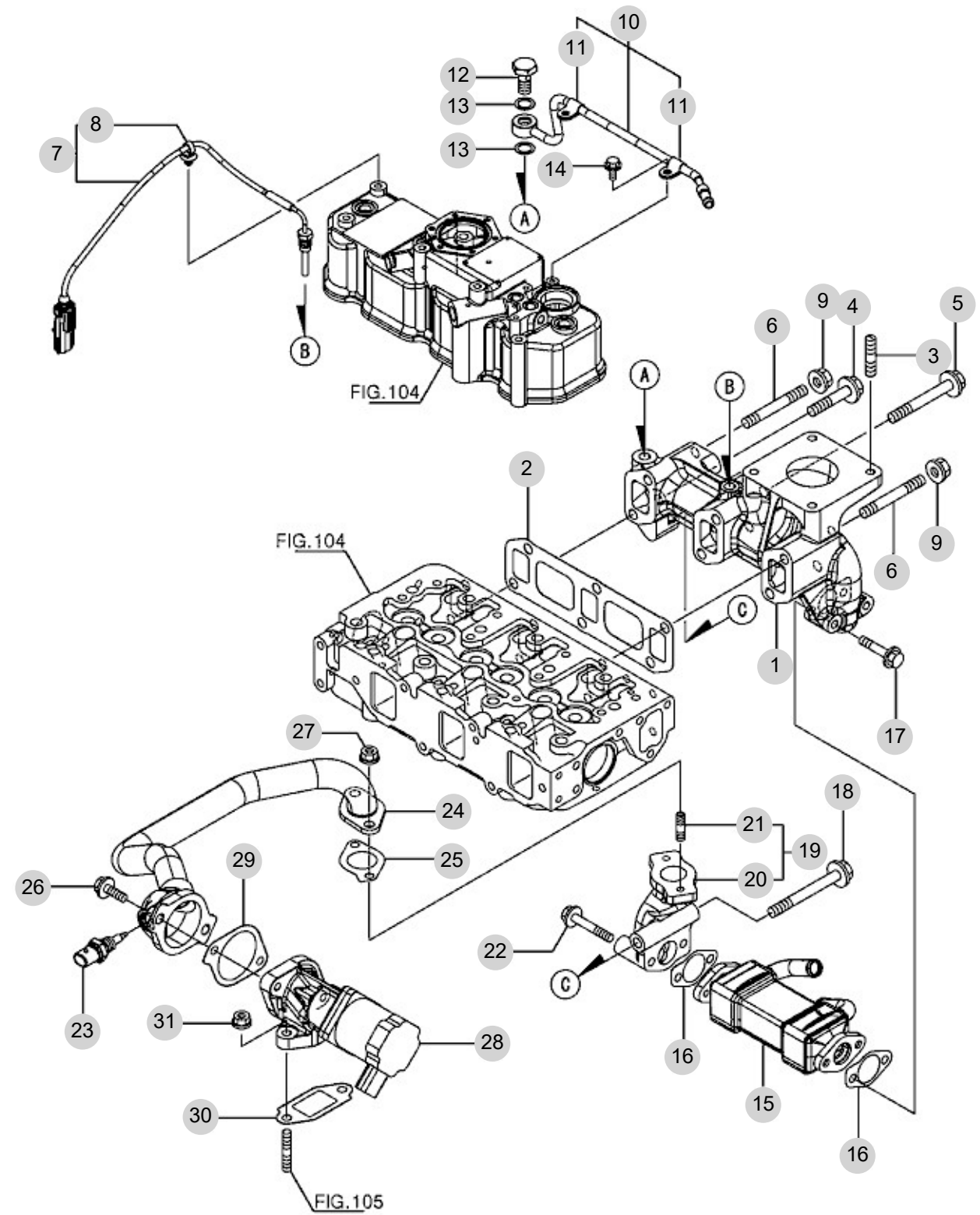
NOTE

FIG 106

EXHAUST MANIFOLD

년/월
Year/Month

2022-12



NOTE

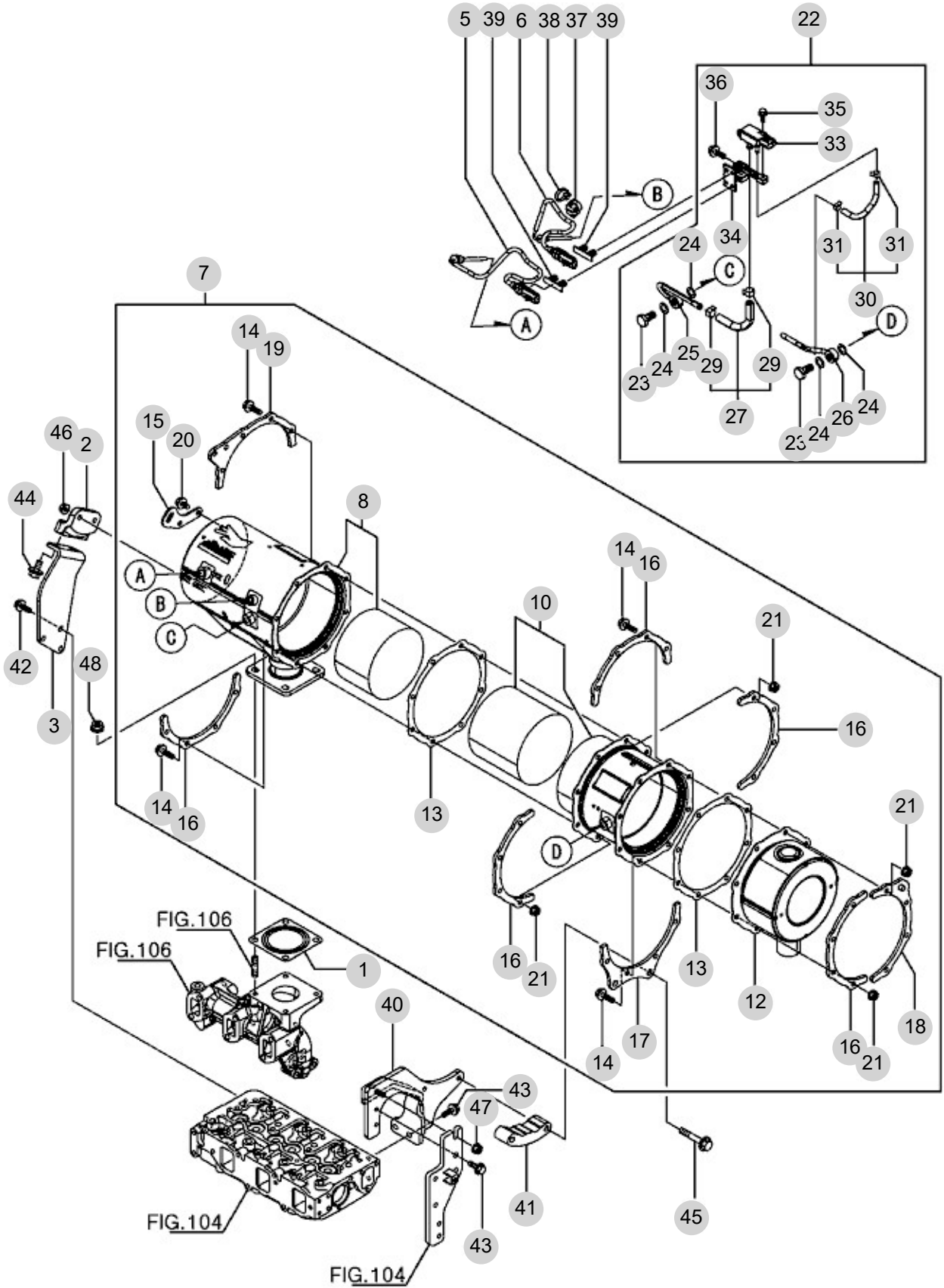
FIG 107

DIESEL PARTICULATE FILTER(DPF)

T355NCEU

년/월
Year/Month

2022-12



NOTE

FIG 107 T355NCEU		DIESEL PARTICULATE FILTER(DPF)					년/월 Year/Month	
							2022-12	
KEY NO	PART NO	DESCRIPTION	SPEC	QTY	REPAIR	EFFECTIVE DATE	REMARKS	
107	1	128300-13230	GASKET, SILENCER		1			
107	2	129A00-16820	STAY,DPF		1			
107	3	129A00-16830	STAY,DPF		1			
107	5	129C00-13940	SENSOR, EXH.TEMP		1			
107	6	129C00-13950	SENSOR, EXH.TEMP		1			
107	7	129A26-16000	DPF ASSY		1			
107	8	129A00-16210	CASE, DOC		1			
107	10	129A00-16410	CASE, SOOT FILTER		1			
107	12	129A00-16500	SILENCER, DPF		1			
107	13	129A00-16600	GASKET, DPF		2			
107	14	129A00-16610	BOLT, M8X28 10.9T		16			
107	15	129C01-16690	LIFTER, DPF		1			
107	16	129A00-16700	STIFFENER, DPF A		5			
107	17	129A00-16720	STIFFENER, DPF B		1			
107	18	129A00-16740	STIFFENER, DPF C		1			
107	19	129A00-16750	STIFFENER, DPF C		1			
107	20	26106-080142	BOLT, M8X 14 PLATED		2			
107	21	26306-080002	NUT, M8		16			
107	22	129A00-17220	SENSOR UNIT,PRESSURE		1			
107	23	129A00-13350	BOLT, PIPE JOINT		2			
107	24	129A00-17311	GASKET,SENSOR		4			
107	25	129A00-17330	PIPE ASSY, SENSOR		1			
107	26	129A00-17360	PIPE ASSY, SENSOR		1			
107	27	129A00-17610	HOSE ASSY,PRES EXH		1			
107	29	129A00-17520	CLIP, HOSE		2			
107	30	129A00-17670	HOSE ASSY,PRES EXH		1			
107	31	129A00-17570	CLIP, HOSE		2			
107	33	129A00-17702	SENSOR,PRESSURE		1			
107	34	129A00-17780	BRACKET, SENSOR		1			
107	35	26106-060162	BOLT, M6X 16 PLATED		2			
107	36	26106-080202	볼트	8X20	2			
107	37	129A00-91200	BAND CLIP		1			
107	38	129C00-91200	BAND		1			
107	39	129A00-91430	CLIP, CONNECTOR		2			
107	40	129A23-17360	STAY, DPF		1			
107	41	129A23-17370	SPACER, DPF		1			
107	42	26106-080162	육각플랜지볼트		3			
107	43	26106-080202	볼트	8X20	4			
107	44	26106-100202	육각플랜지볼트		2			
107	45	26106-100552	BOLT, M10X 55 PLATED		2			
107	46	26306-080002	NUT, M8		2			
107	47	26306-080002	NUT, M8		1			
107	48	26306-100002	NUT, M10		4			
NOTE								

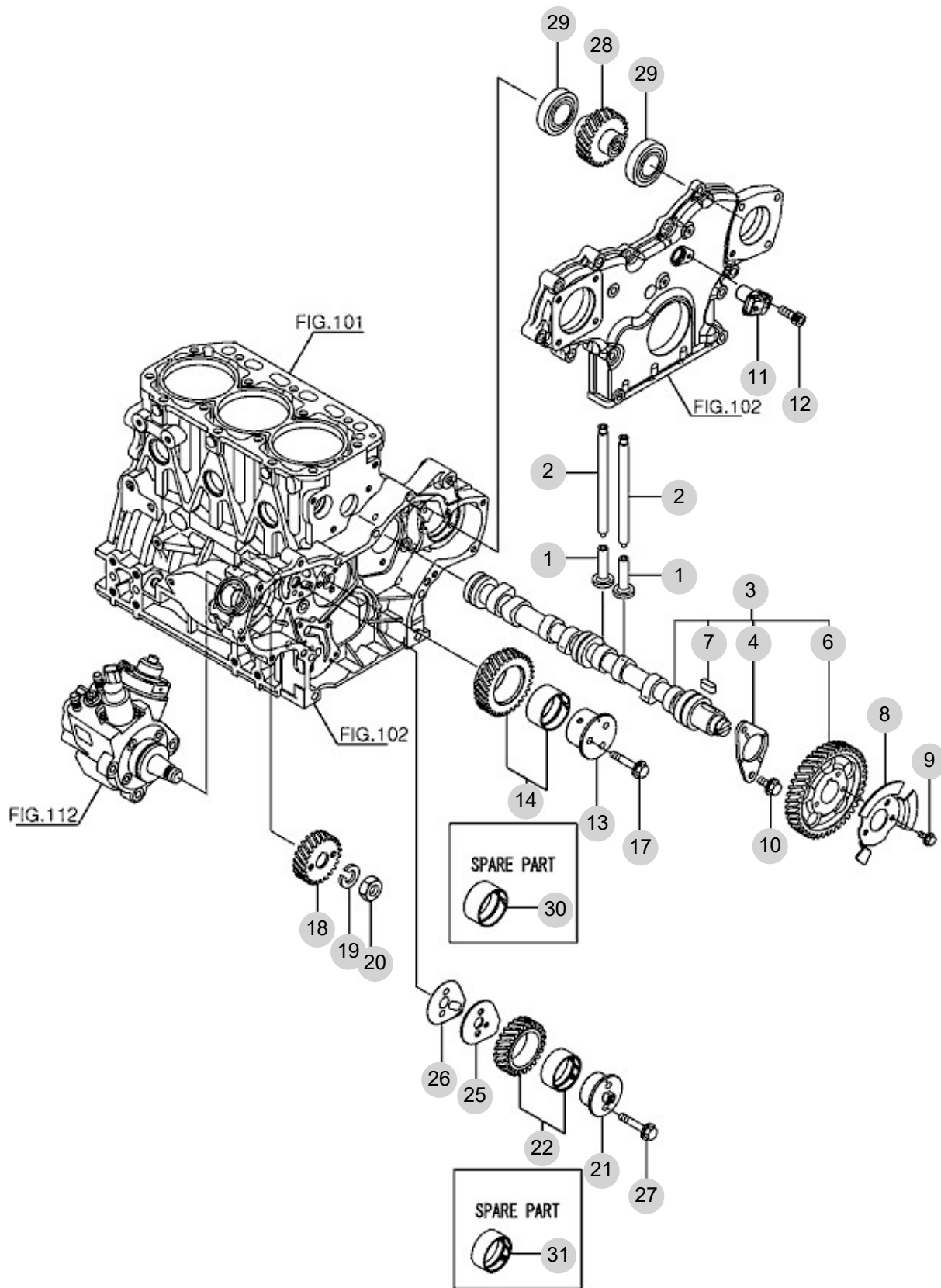
FIG 108

CAMSHAFT & DRIVING GEAR

년/월
Year/Month

2022-12

T355NCEU



NOTE

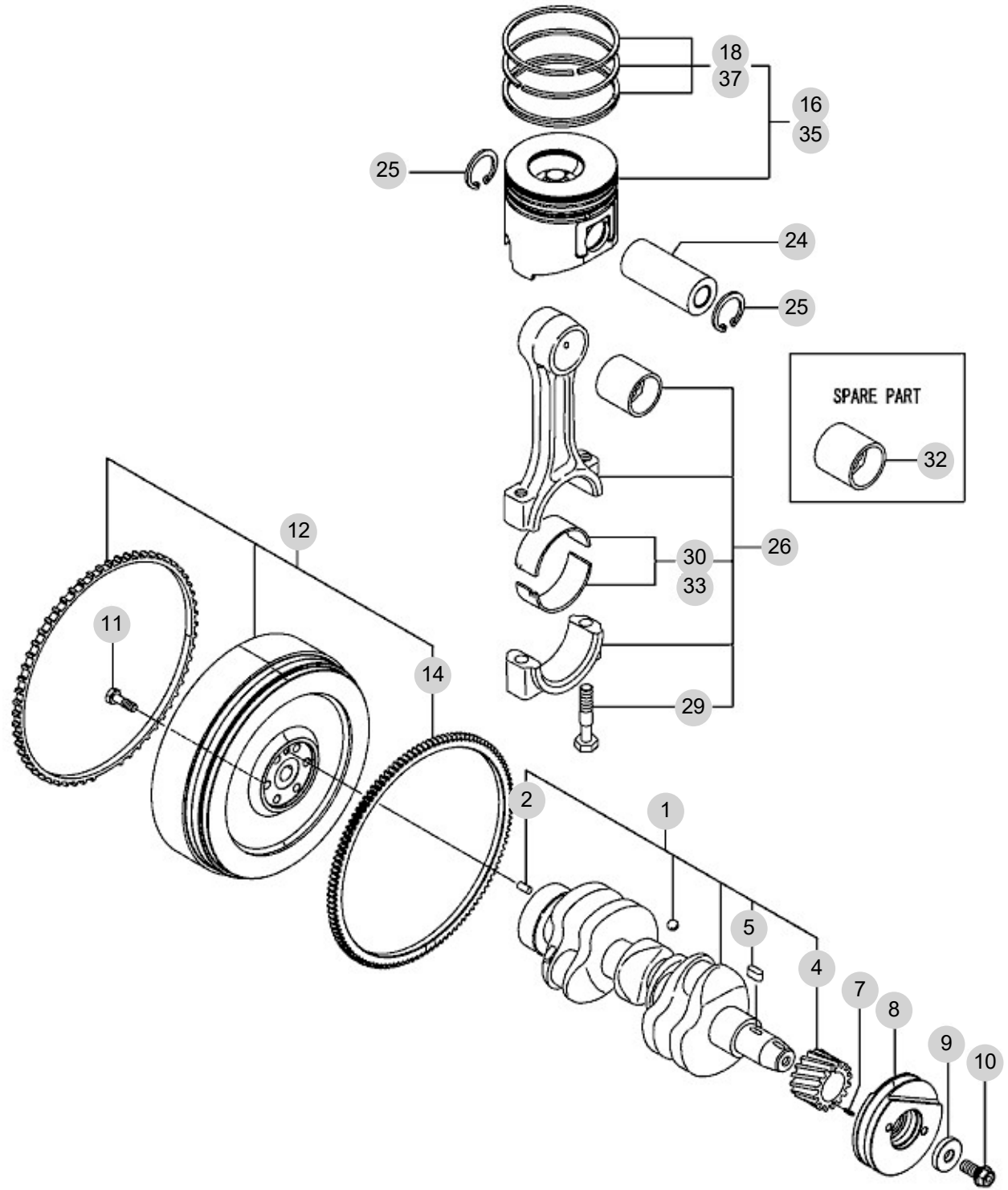
FIG 108 T355NCEU		CAMSHAFT & DRIVING GEAR						년/월 Year/Month	
								2022-12	
KEY NO	PART NO	DESCRIPTION		SPEC	QTY	REPAIR	EFFECTIVE DATE	REMARKS	
108	1	129150-14200 TAPPET			6				
108	2	129150-14400 ROD, PUSH L=178			6				
108	3	129A00-14580 CAMSHAFT ASSY			1				
108	4	129150-02450 BEARING, THRUST			1				
108	6	129A00-14100 GEAR,CAMSHAFT			1				
108	7	22512-070140 KEY, 7X 14			1				
108	8	129A00-14700 PULSER, CAMSHAFT			1				
108	9	26106-060102 BOLT, M6X 10 PLATED			3				
108	10	26106-080142 BOLT, M8X 14 PLATED			2				
108	11	129A00-14710 SENSOR, GEAR REV			1				
108	12	26450-060162 BOLT, M6X 16			1				
108	13	129A00-25050 SHAFT, IDLE GEAR A			1				
108	14	129A00-25110 GEAR ASSY, IDLE A			1				
108	17	26106-080452 BOLT, M8X 45 PLATED			3				
108	18	129A00-25900 GEAR, SUPPLY PUMP			1				
108	19	22217-180000 WASHER, SPRING 18			1				
108	20	26776-180002 NUT, LOCK M18			1				
108	21	129A00-25060 SHAFT, IDLE GEAR B			1				
108	22	129A00-25120 GEAR ASSY, IDLE B			1				
108	25	129A00-25200 PLATE, IDLE SHAFT B			1				
108	26	129A00-25210 GASKET, IDLE SHAFT B			1				
108	27	26106-080402 BOLT, M8X 40 PLATED			2				
108	28	129A26-26000 DRIVE ASSY, HO-P			1				
108	29	24105-060064 BEARING, BALL 6006Z			2				
108	30	119802-25071 BUSH, IDLE GEAR			1				
108	31	129A00-25080 BUSH			1				
NOTE									

FIG 109

CRANKSHAFT & PISTON

년/월
Year/Month

2022-12



NOTE

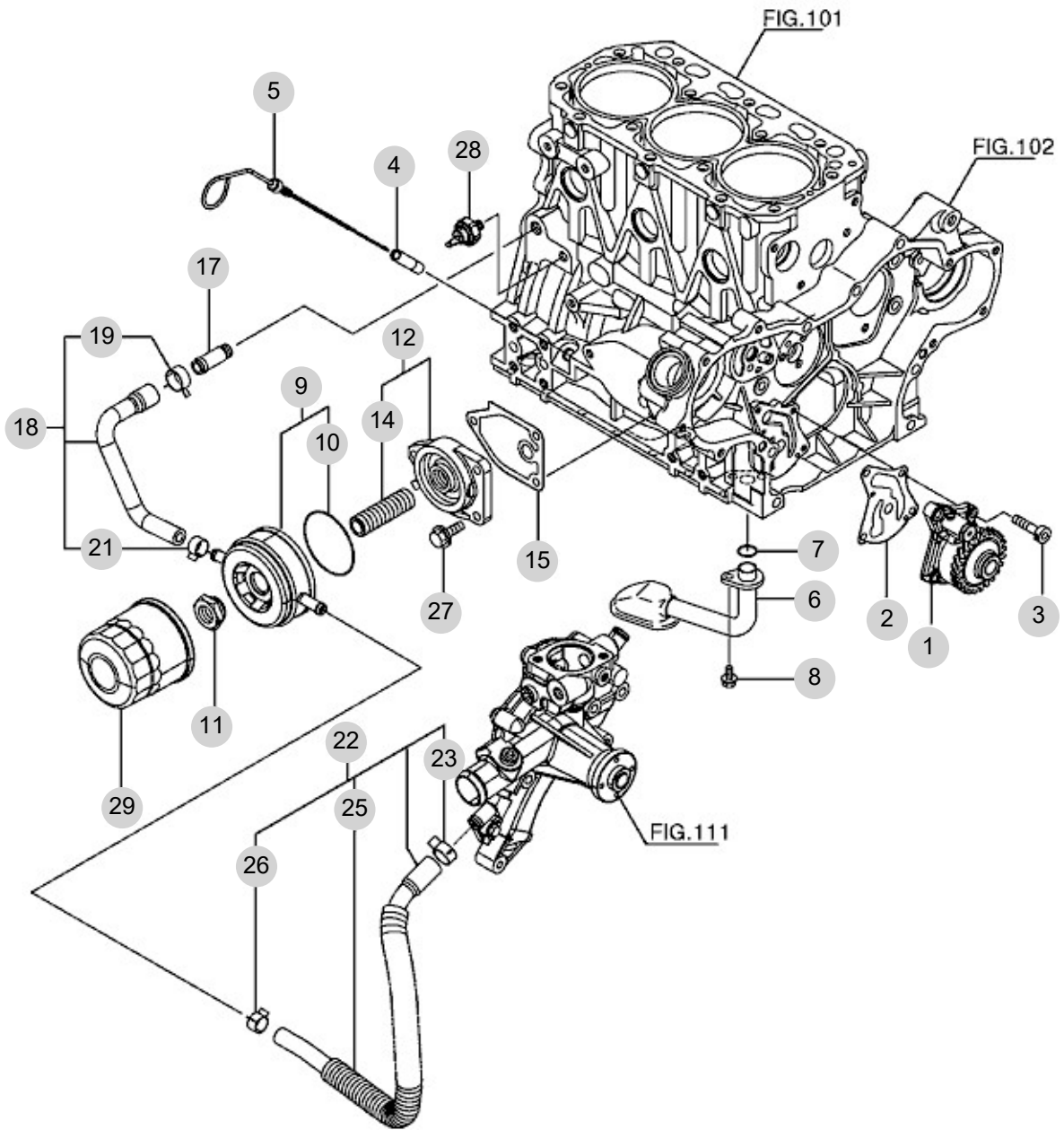
FIG 110

T355NCEU

LUB.OIL SYSTEM

년/월
Year/Month

2022-12



NOTE

FIG 110		LUB.OIL SYSTEM					년/월 Year/Month	
T355NCEU		2022-12						
KEY NO	PART NO	DESCRIPTION	SPEC	QTY	REPAIR	EFFECTIVE DATE	REMARKS	
110	1	129A00-32000	PUMP ASSY, LUB.OIL	1				
110	2	129486-32020	GASKET, PUMP	1				
110	3	26450-060252	BOLT, M6X 25	4				
110	4	121520-34810	GUIDE, DIPSTICK	1				
110	5	129263-34811	DIPSTICK, OIL	1				
110	6	129052-35090	PIPE ASSY, OIL INLET	1				
110	7	24311-000160	운동용O링	1				
110	8	26106-060122	BOLT, M6X 12 PLATED	1				
110	9	129508-33010	COOLER ASSY, OIL	1				
110	10	129508-33050	O-RING	1				
110	11	129417-33111	NUT, OIL COOLER	1				
110	12	129006-35100	BRACKET ASSY, FILTER	1				
110	14	129417-35150	STUD, L=67	1				
110	15	129150-35111	GASKET	1				
110	17	129122-44480	JOINT	1				
110	18	129508-49030	PIPE ASSY, WATER	1				
110	19	171008-03990	CLIP, HOSE 18.5	1				
110	21	23080-015000	CLAMP, 15	1				
110	22	129006-49040	PIPE ASSY, WATER	1				
110	23	171008-03990	CLIP, HOSE 18.5	1				
110	25	129642-49180	TUBE, CORRUGATED	1				
110	26	23080-015000	CLAMP, 15	1				
110	27	26106-080202	볼트	8X20	3			
110	28	119761-39450	SWITCH, 0.5KG	1				
110	29	129150-35153	필터	1				
NOTE								

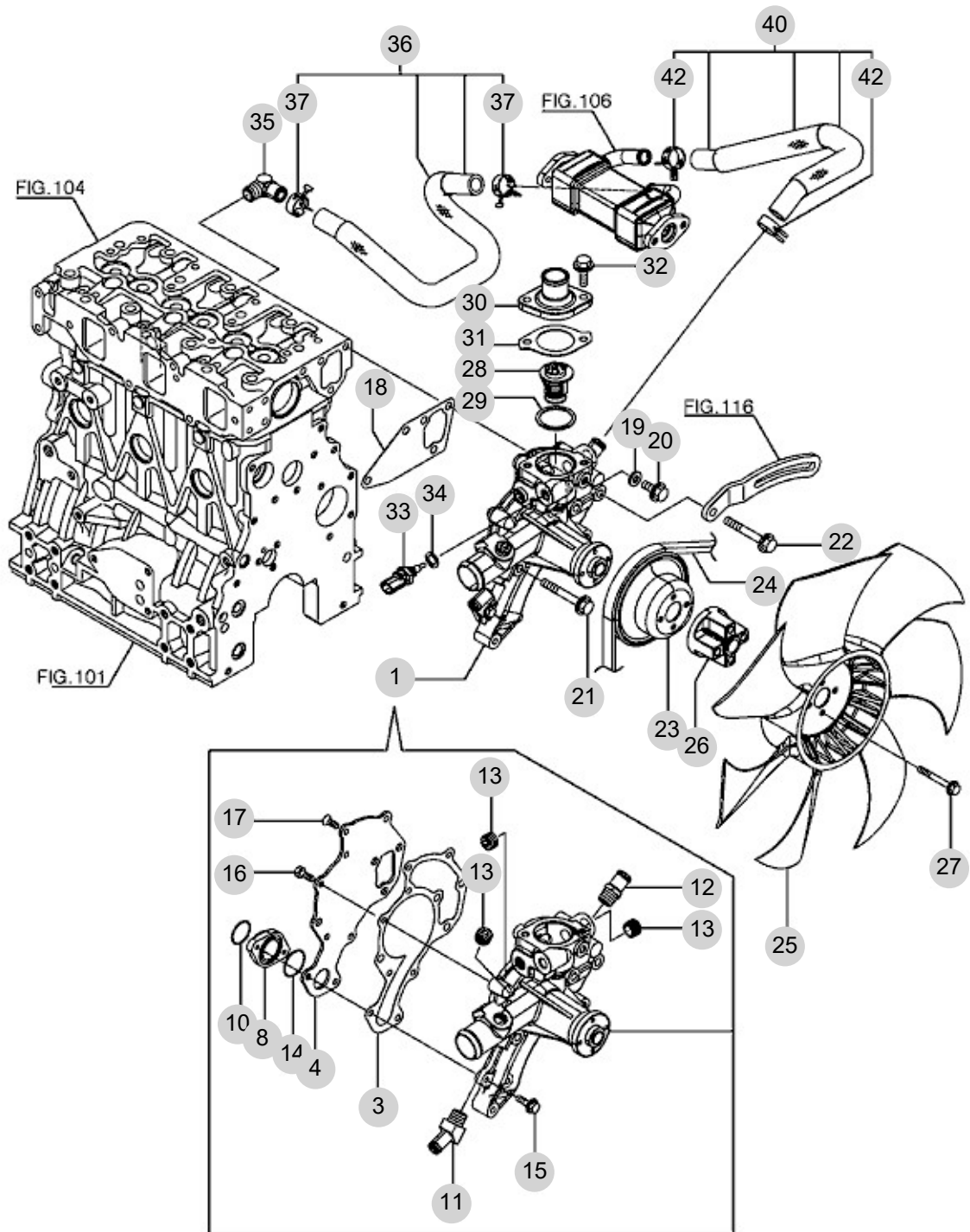
FIG 111

COOLING WATER SYSTEM

년/월
Year/Month

2022-12

T355NCEU



NOTE

FIG 111		COOLING WATER SYSTEM					년/월		REMARKS
							Year/Month		
T355NCEU							2022-12		
KEY NO	PART NO	DESCRIPTION		SPEC	QTY	REPAIR	EFFECTIVE DATE		
111	1	129A33-42001	PUMP(129A3342001-로 주문변경)			1			
111	3	129150-42059	GASKET			1			
111	4	129263-42120	PLATE			1			
111	8	129150-42301	FLANGE			1			
111	10	129054-42320	O-RING			1			
111	11	129055-49300	ELBOW, R3/8			1			
111	12	129928-49420	JOINT			1			
111	13	129916-49740	PLUG, R03			3			
111	14	24358-240310	O-RING, 524031			1			
111	15	26106-060202	BOLT, M6X 20 PLATED			2			
111	16	26116-060162	BOLT, M6X 16 PLATED			3			
111	17	26577-060162	SCREW, M6X16			3			
111	18	129486-42050	GASKET, WATER PUMP			1			
111	19	23414-080000	GASKET, 8X1.0			1			
111	20	26106-080122	BOLT, M8X 12 PLATED			1			
111	21	26106-080552	BOLT, M8X 55 PLATED			3			
111	22	26106-080602	BOLT, M8X 60 PLATED			1			
111	23	129403-42380	팬 폴리 , D=110			1			
111	24	25132-004000	벨트(25132004000-로 주문변경)			1			
111	25	129655-44740	FAN, COOLING D380			1			
111	26	129030-44760	SPACER, FAN L38.5			1			
111	27	26106-060502	BOLT, M6X 50 PLATED			4			
111	28	129155-49801	THERMOSTAT, 71			1			
111	29	129150-49811	GASKET, THERMOSTAT			1			
111	30	129350-49530	COVER, THERMOSTAT			1			
111	31	129795-49551	GASKET			1			
111	32	26106-080222	BOLT, M8X 22 PLATED			2			
111	33	129927-44900	SENSOR			1			
111	34	22190-120002	WASHER, SEAL 12			1			
111	35	129051-49310	ELBOW, PT3/8			1			
111	36	129A23-49610	PIPE ASSY, CW EGR-C			1			
111	37	129960-03990	CLIP, HOSE 19.8			2			
111	40	129A23-49640	HOSE ASSY, EGR-C OUT			1			
111	42	129960-03990	CLIP, HOSE 19.8			2			
NOTE									

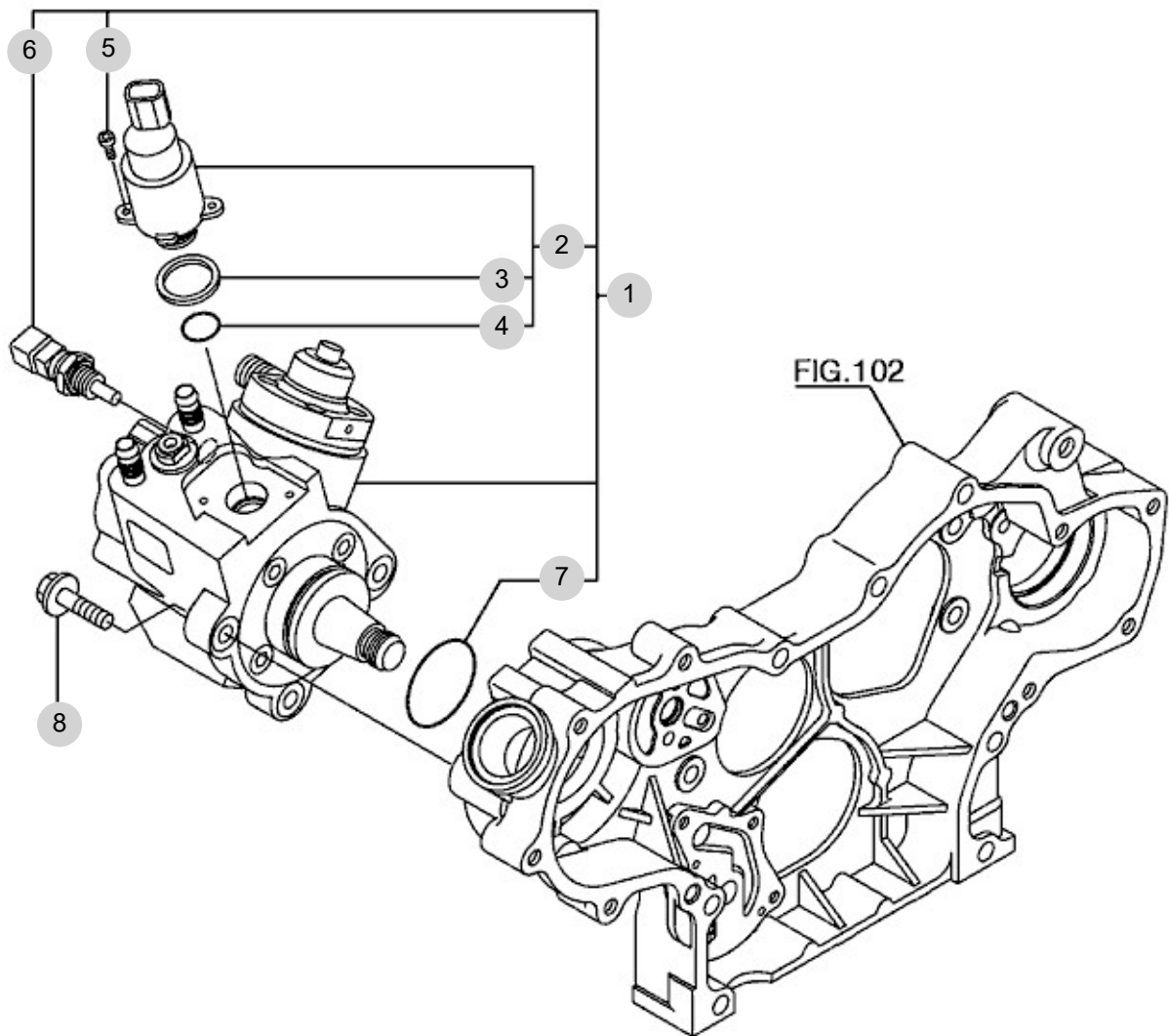
FIG 112

T355NCEU

FUEL SUPPLY PUMP

년/월
Year/Month

2022-12



NOTE

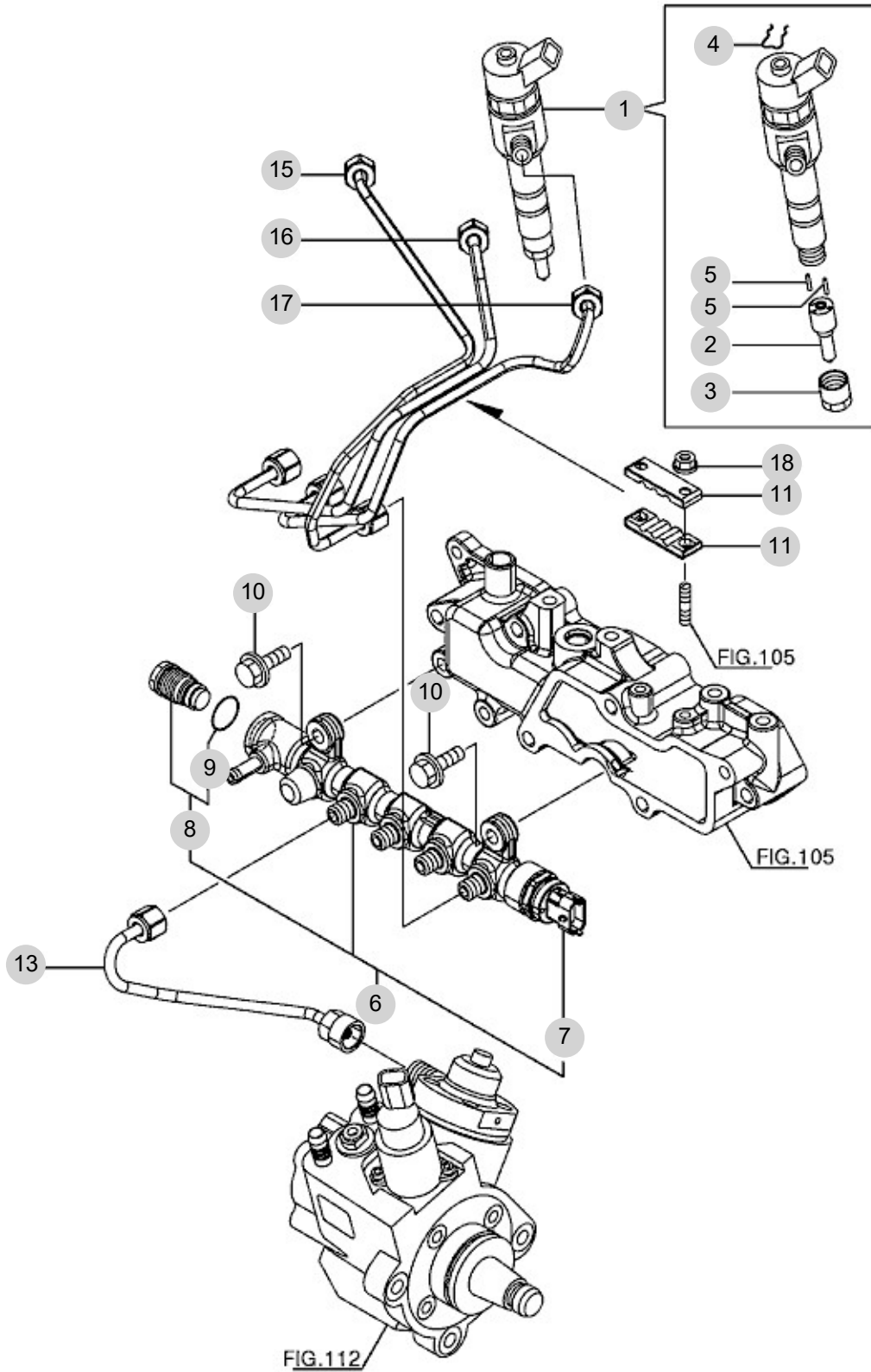
FIG 113

T355NCEU

FUEL INJECTION VALVE

년/월
Year/Month

2022-12



NOTE

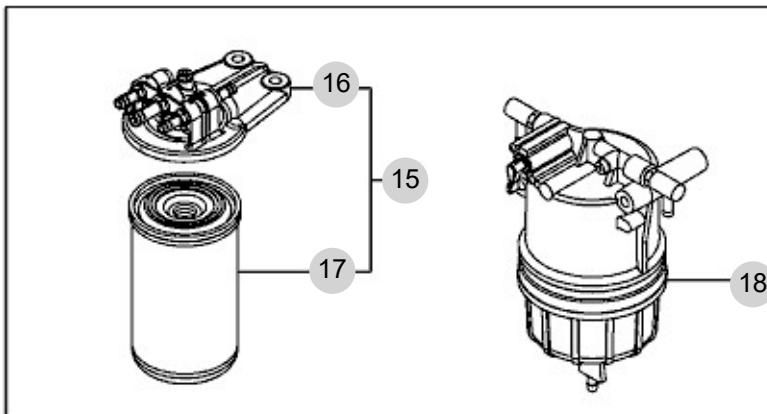
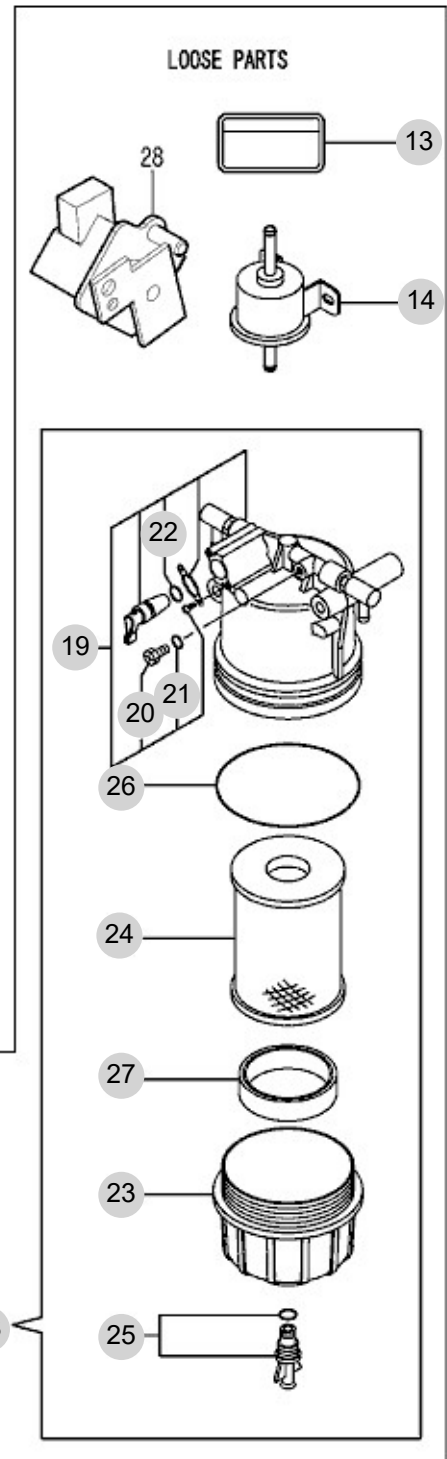
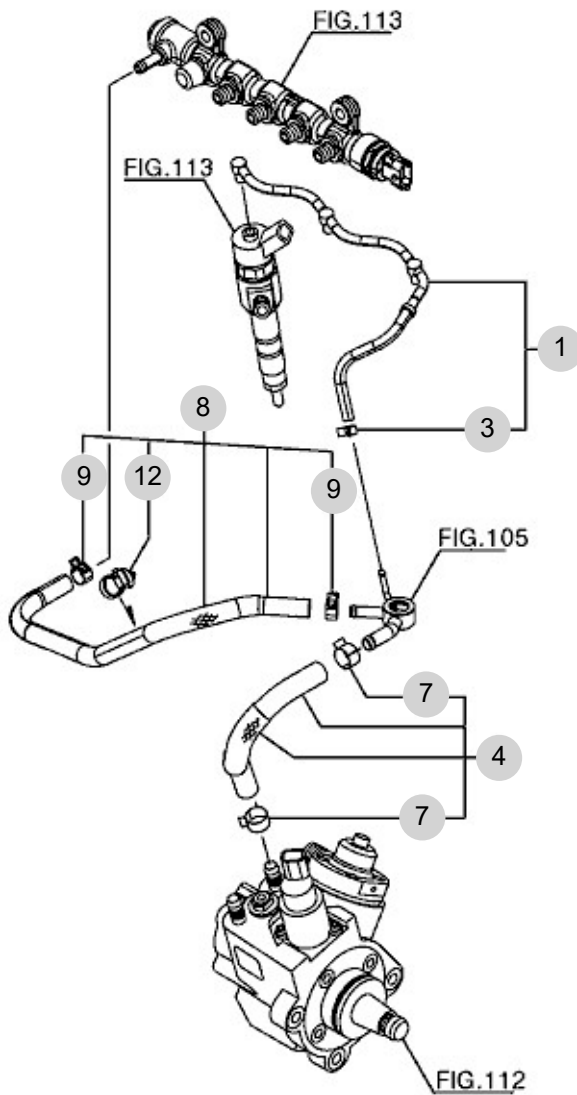
FIG 114

T355NCEU

FUEL LINE

년/월
Year/Month

2022-12



NOTE

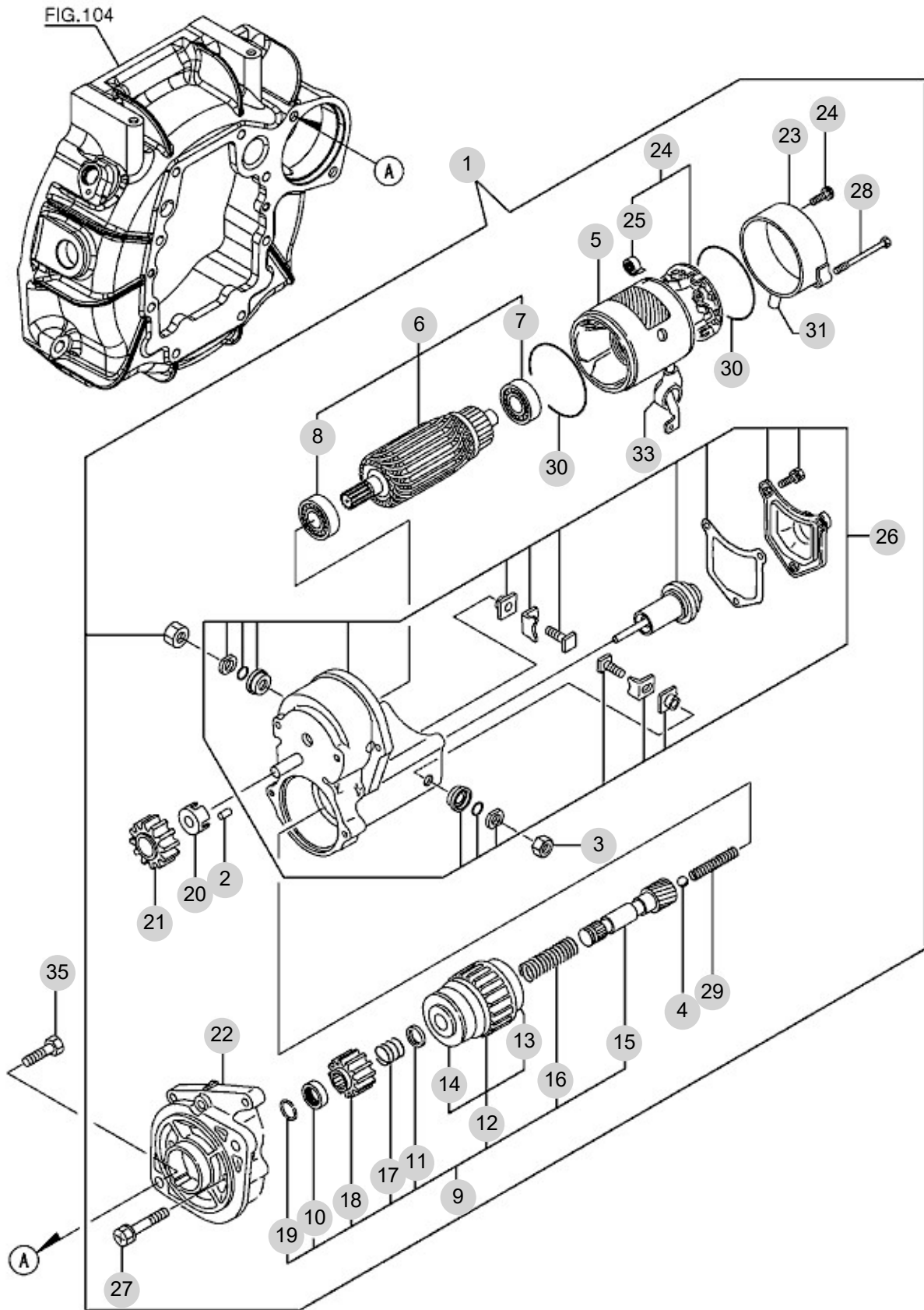
FIG 115

STARTING MOTOR

년/월
Year/Month

2022-12

T355NCEU



NOTE

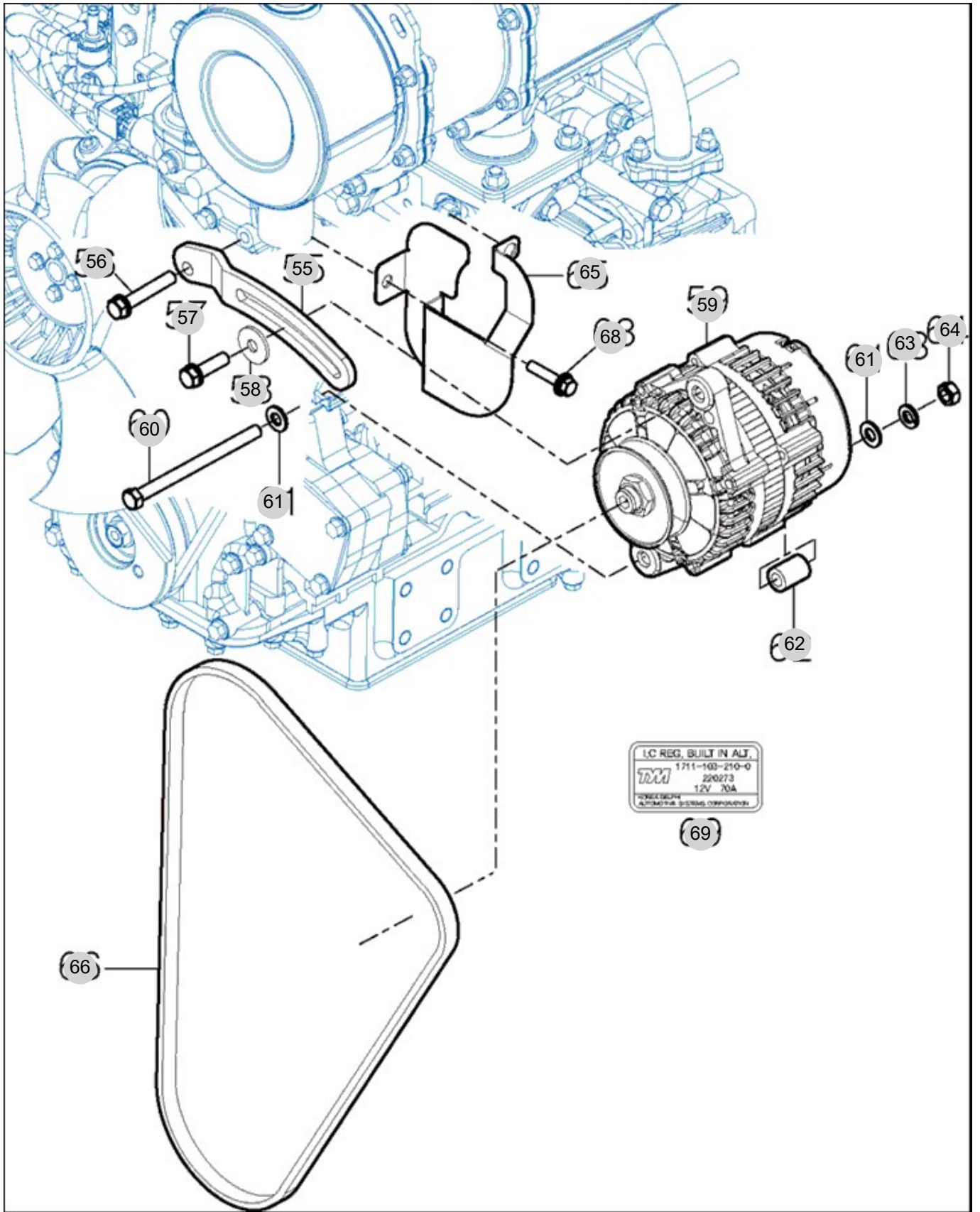
FIG 116

ALTERNATOR

년/월
Year/Month

2022-12

T355NCEU



NOTE

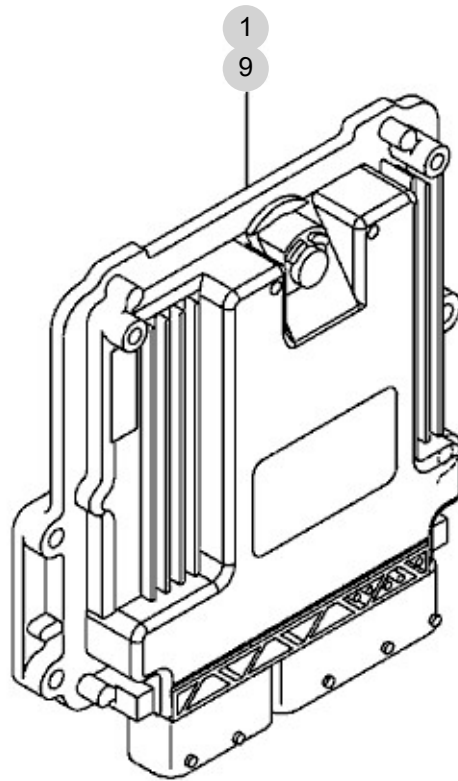
FIG 117

T355NCEU

ELECTRONIC CONTROL UNIT(ECU)

년/월
Year/Month

2022-12



NOTE

FIG 117 T355NCEU		ELECTRONIC CONTROL UNIT(ECU)					년/월 Year/Month	REMARKS
							2022-12	
KEY NO	PART NO	DESCRIPTION	SPEC	QTY	REPAIR	EFFECTIVE DATE	REMARKS	
117	1	129A26-75000	ECU ASSY,3-88C-KKTF	1				
117	9	129A00-75910	ECU ASSY,SERVICE YMR	1				
NOTE								

FIG 119

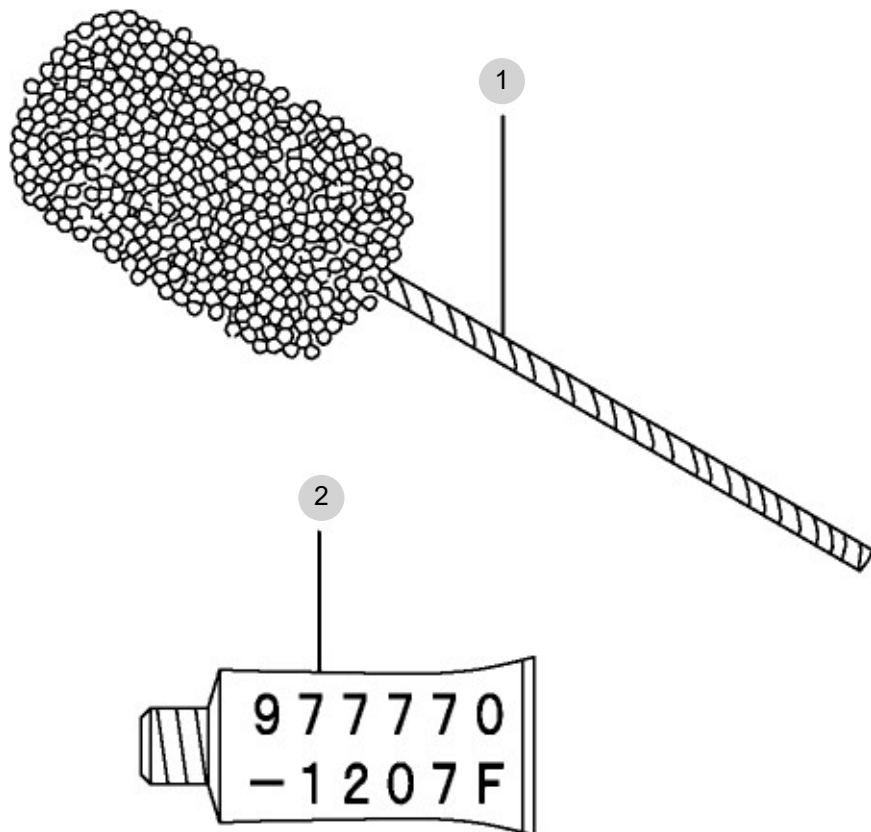
T355NCEU

ACCESSORY

년/월
Year/Month

2022-12

OPTIONAL PARTS



NOTE

2. 엔진보기품 PART NO. T2

FIG 201 AIR CLEANER	49
FIG 202 RADIATOR	51
FIG 203 MUFFLER	53
FIG 204 FUEL TANK	55
FIG 205 ACCELERATOR	57

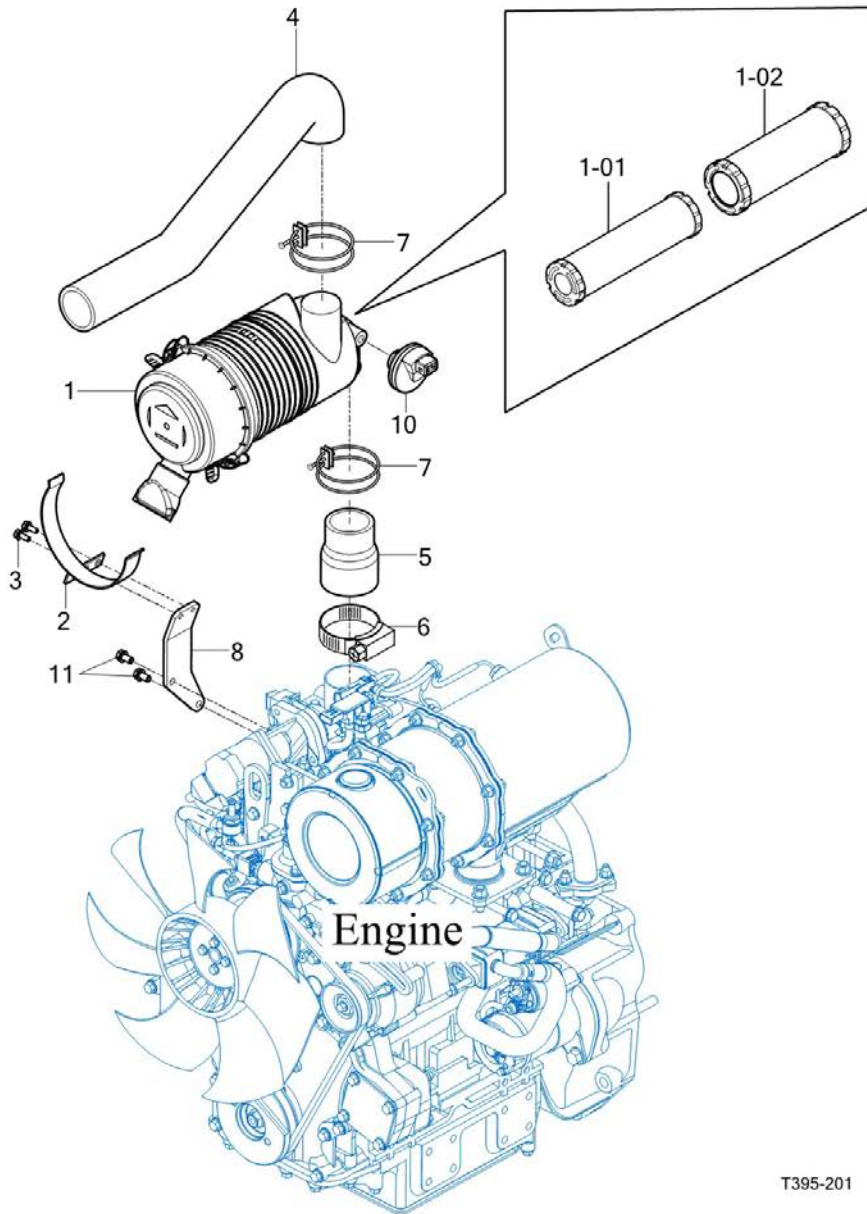
FIG 201

AIR CLEANER

년/월
Year/Month

2022-12

T355NCEU



T395-201

NOTE

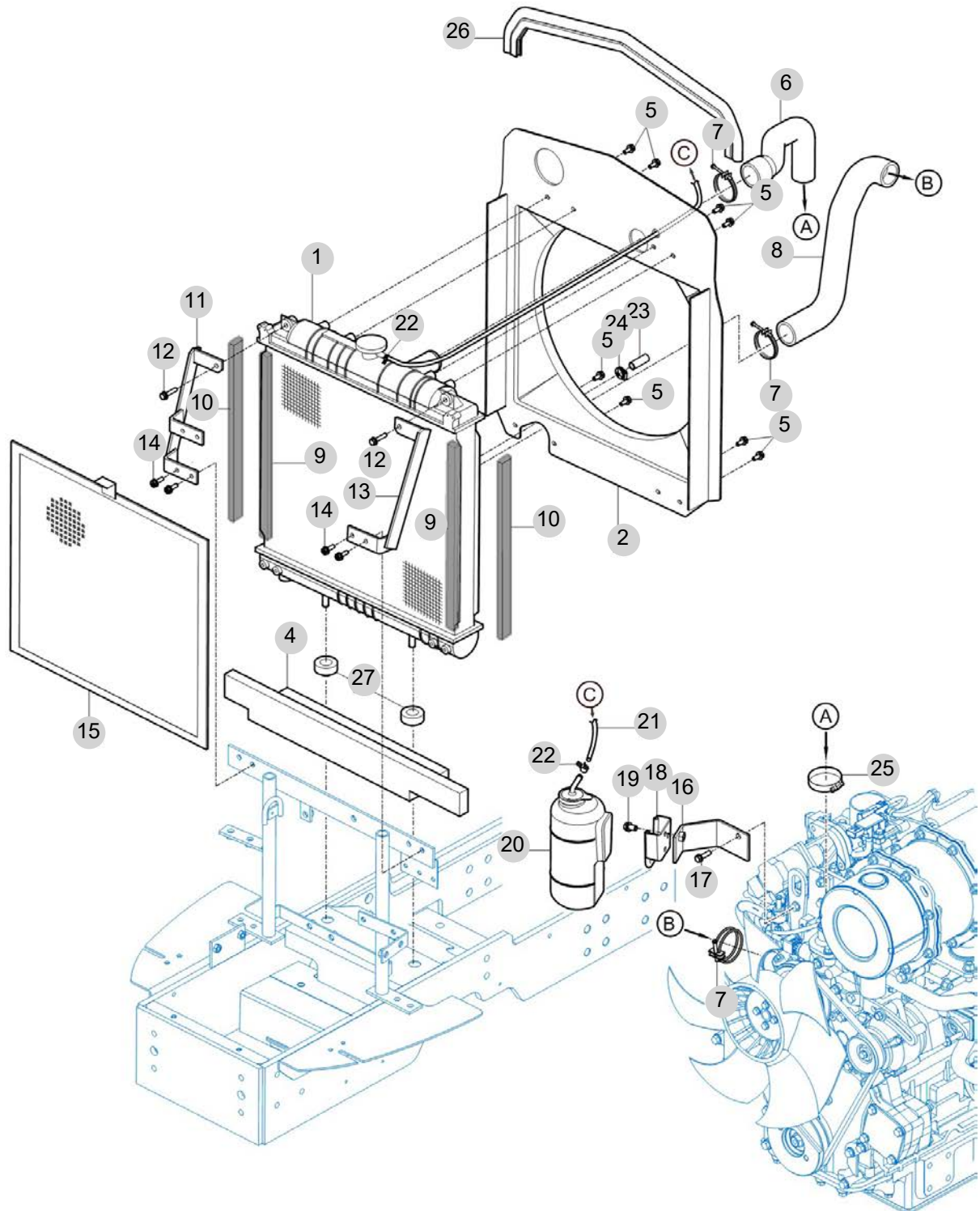
FIG 202

RADIATOR

년/월
Year/Month

2022-12

T355NCEU



NOTE

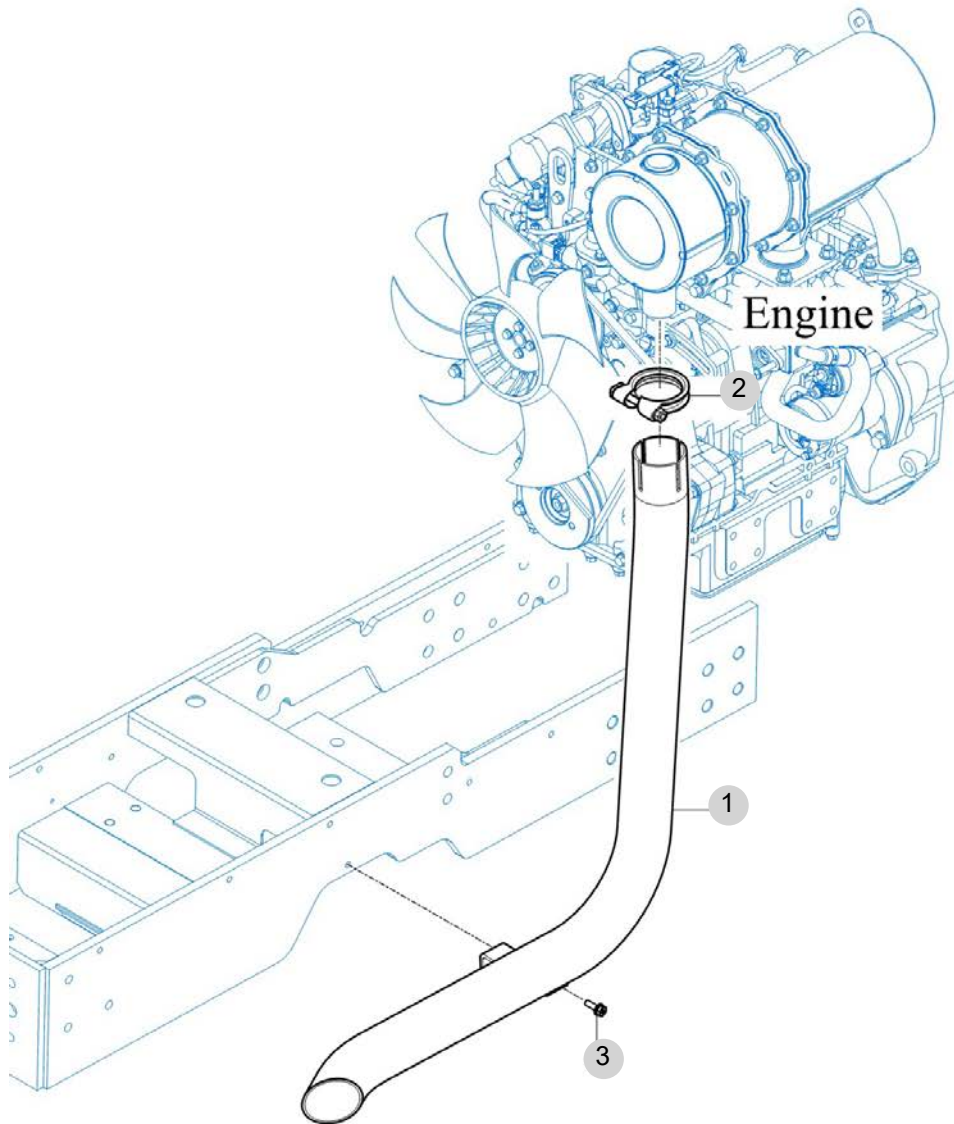
FIG 203

MUFFLER

년/월
Year/Month

T355NCEU

2022-12



NOTE

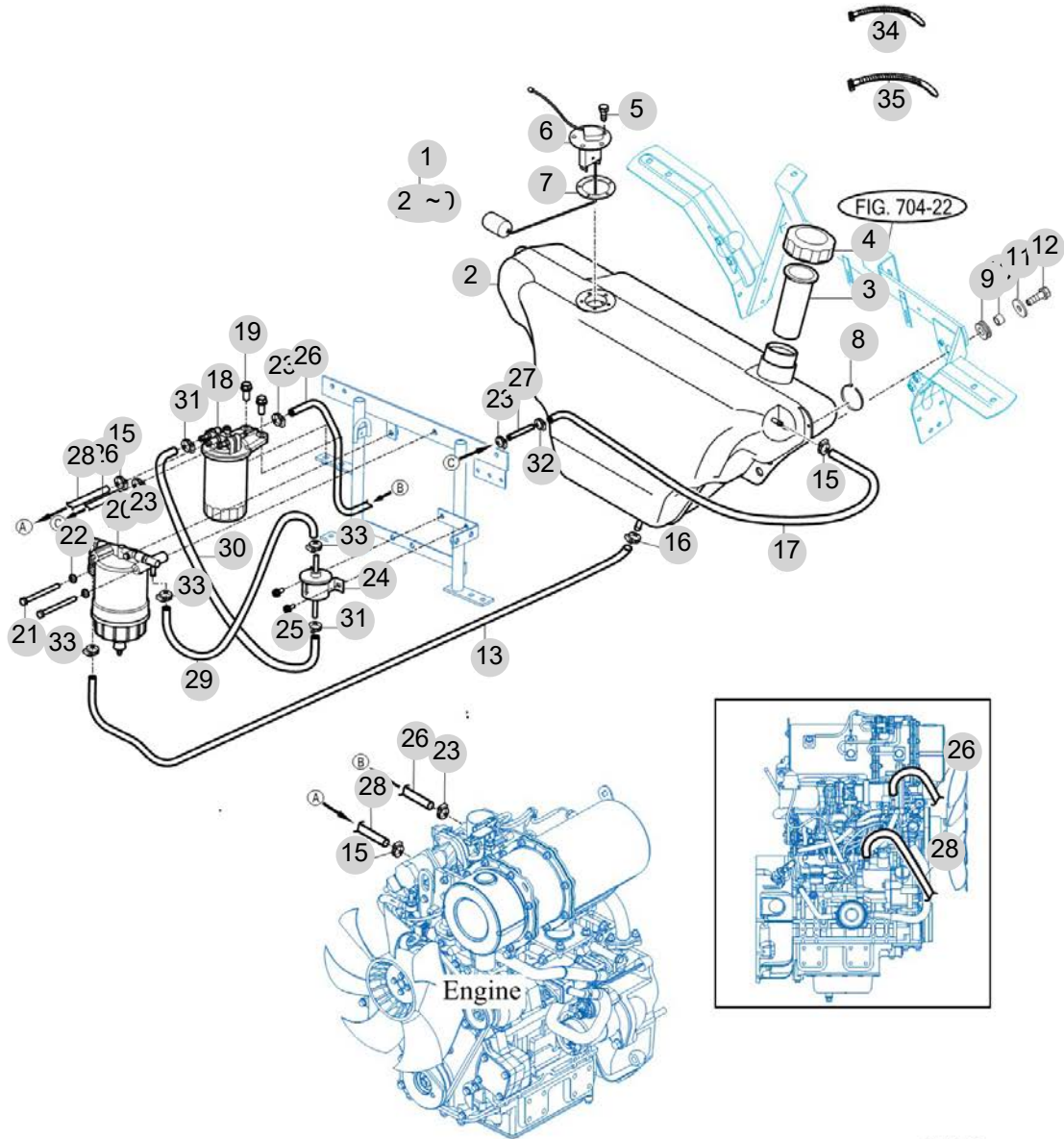
FIG 204

FUEL TANK

년/월
Year/Month

2022-12

T355NCEU



T354-E-204

NOTE

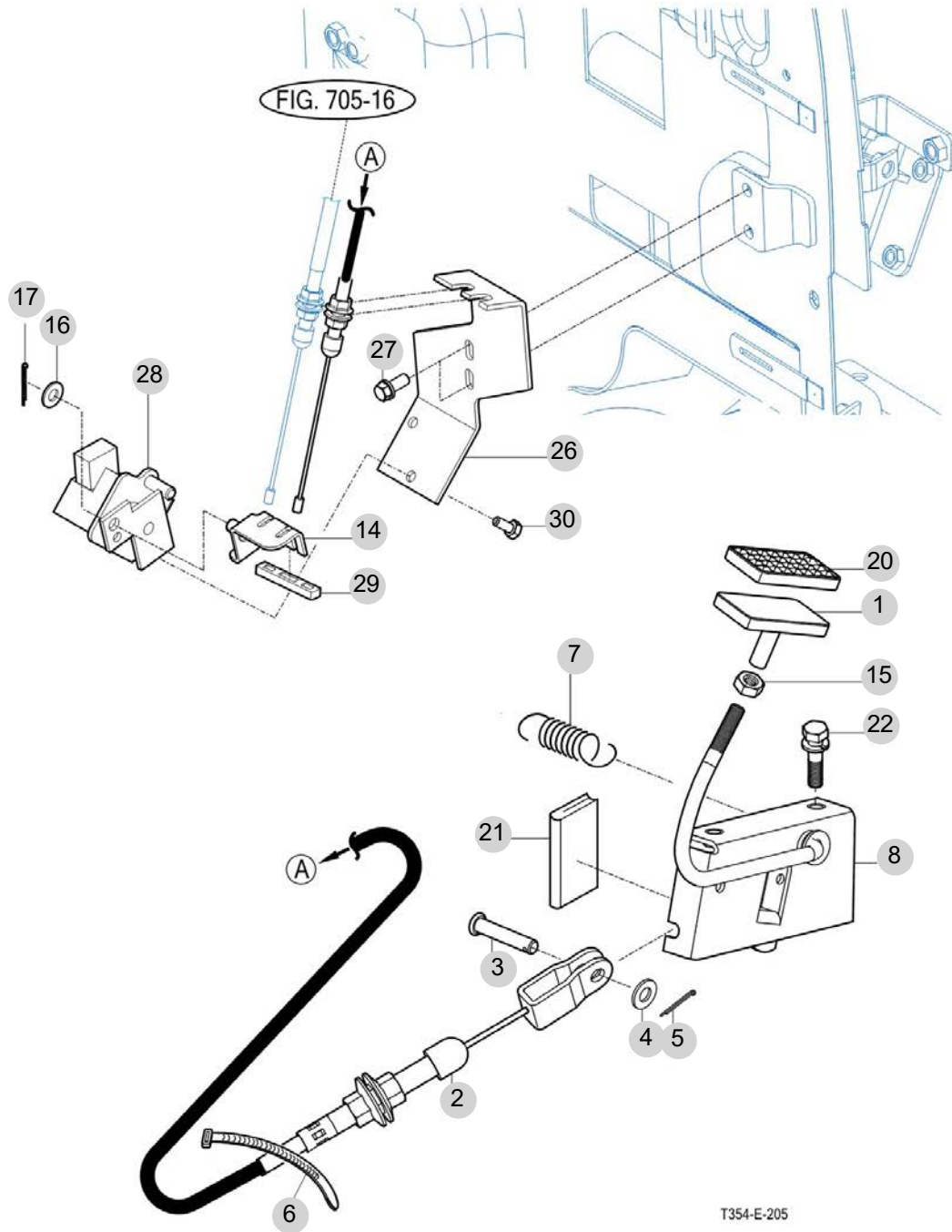
FIG 205

ACCELERATOR

년/월
Year/Month

2022-12

T355NCEU



T354-E-205

NOTE

3. 클러치/브레이크/스티어링 PART NO. T3

FIG 301 CLUTCH PEDAL	60
FIG 302 FLYWHEEL & CLUTCH	62
FIG 303 BRAKE PEDAL	64
FIG 304 BRAKE	66
FIG 306 FRONT WHEEL MOUNTING	68
FIG 307 REAR WHEEL MOUNTING	70
FIG 308 STEERING WHEEL	72
FIG 309 STEERING VALVE & TILT	74
FIG 310 STEERING CYLINDER	76
FIG 311 HAND BRAKE LINKAGE	78

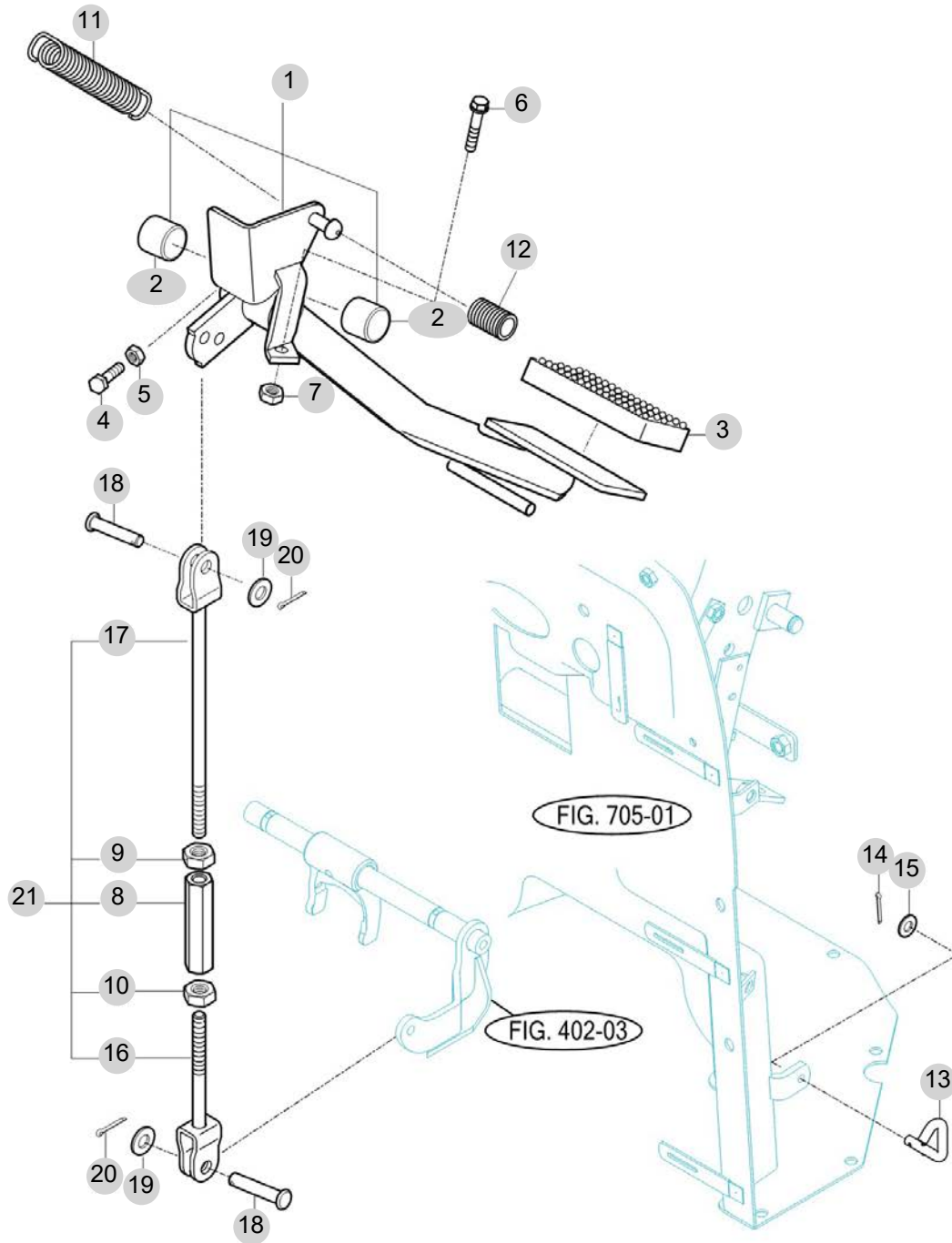
FIG 301

T355NCEU

CLUTCH PEDAL

년/월
Year/Month

2022-12



T303/353NC-E-301

NOTE

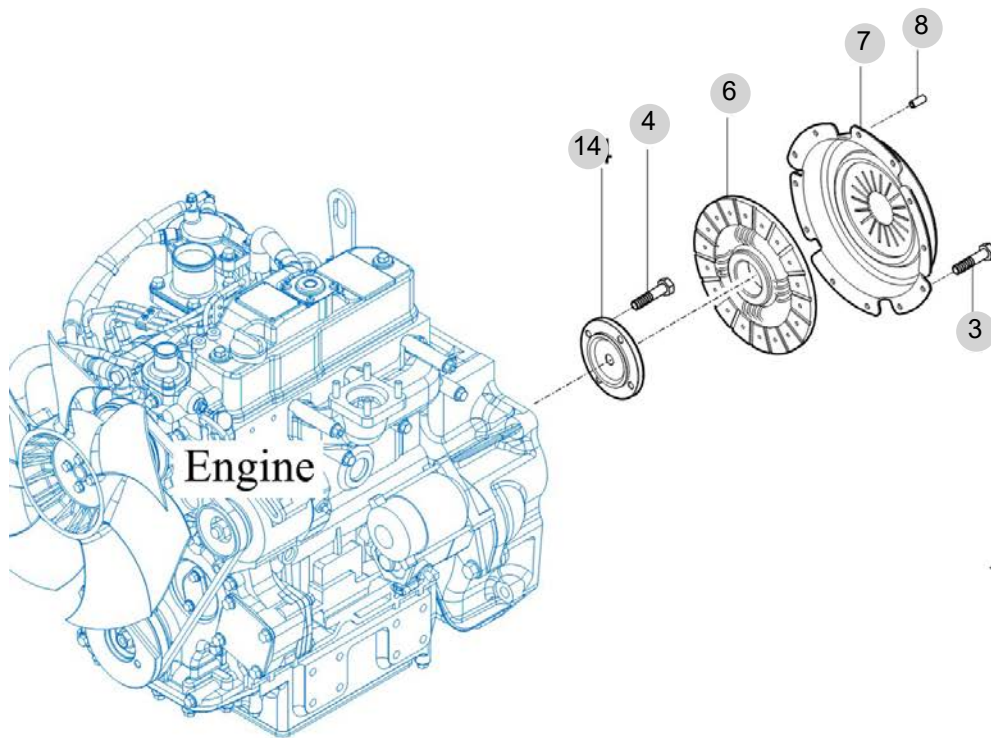
FIG 302

T355NCEU

FLYWHEEL & CLUTCH

년/월
Year/Month

2022-12



T393-E-302

NOTE

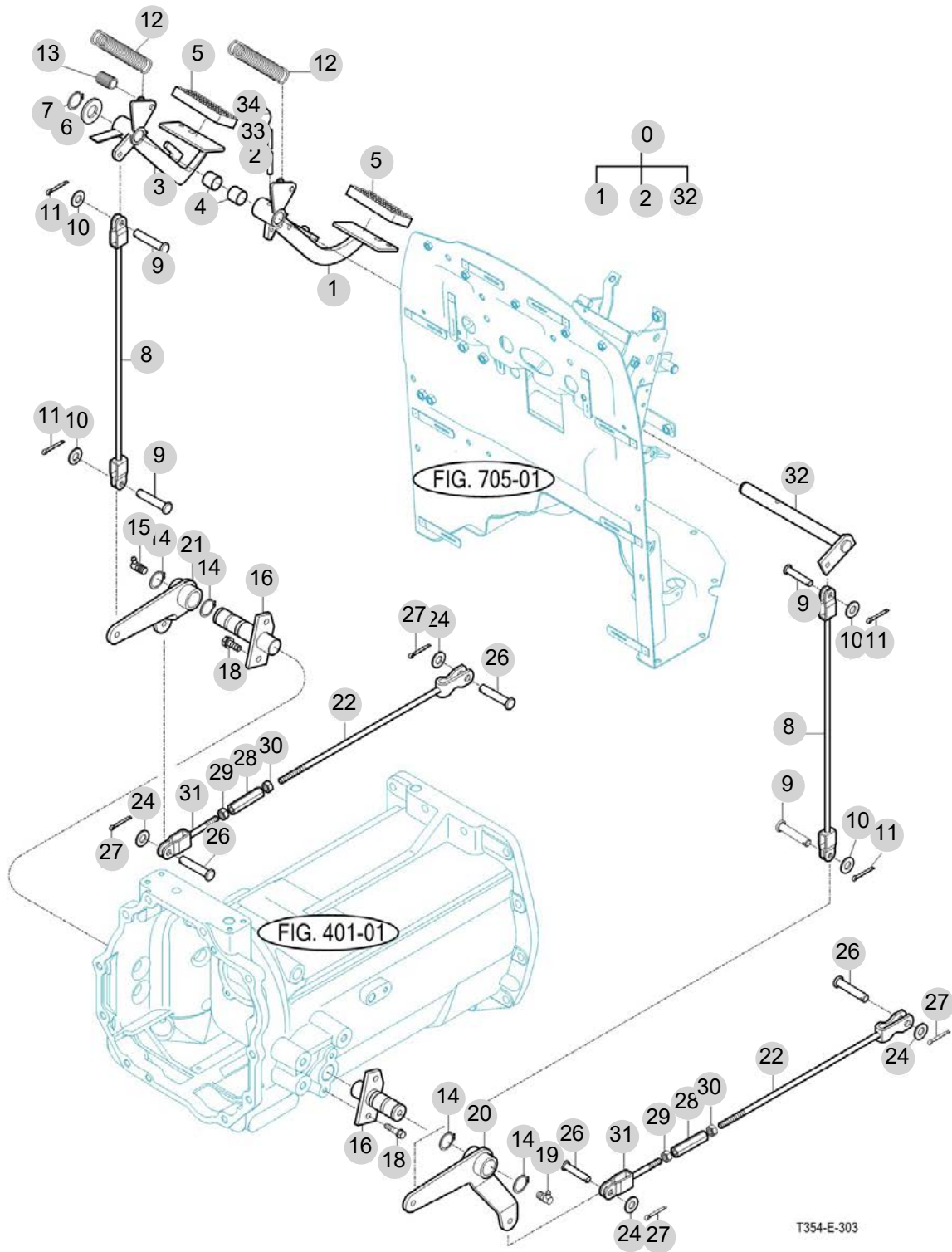
FIG 303

BRAKE PEDAL

년/월
Year/Month

T355NCEU

2022-12



NOTE

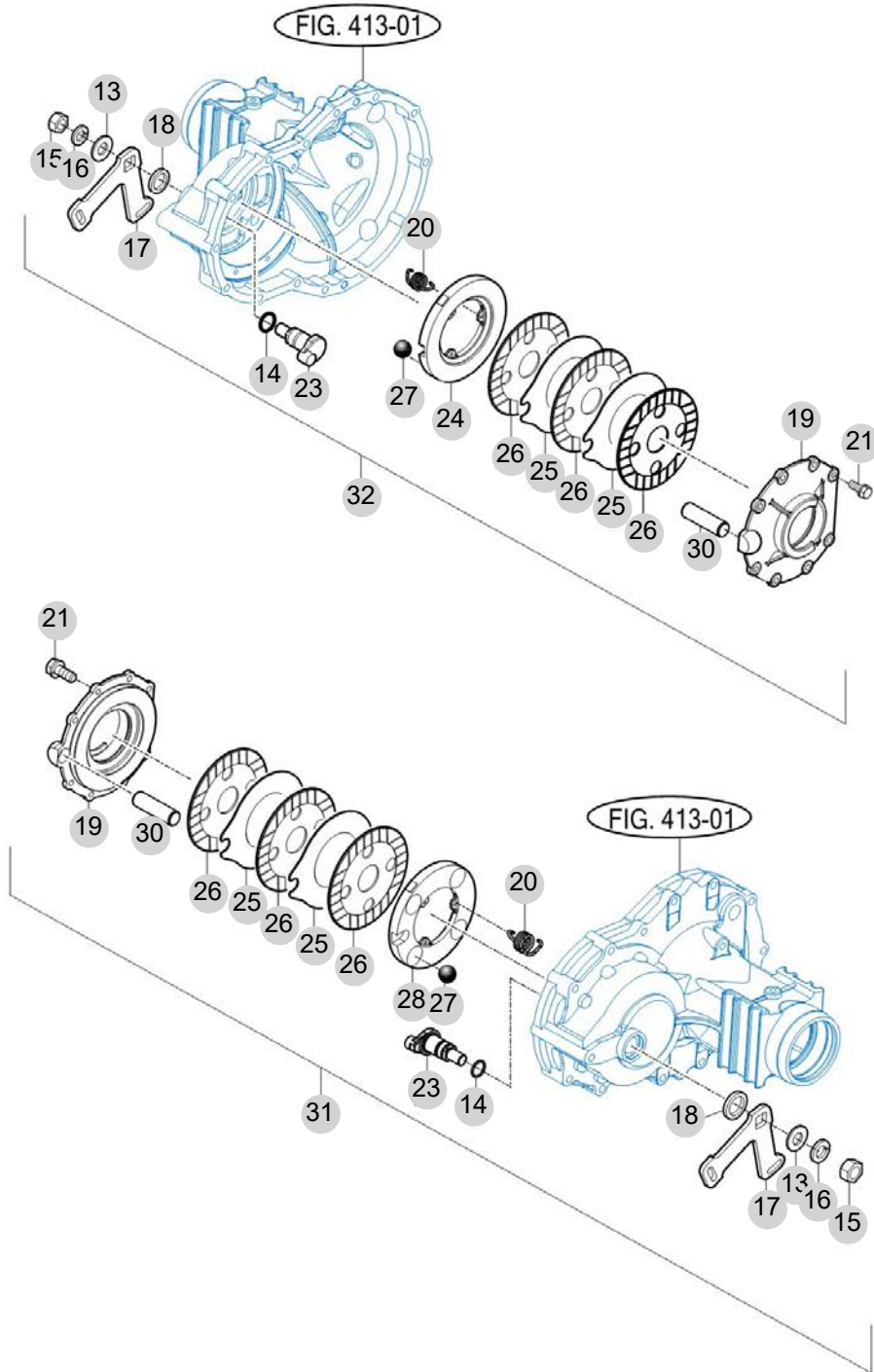
FIG 304

T355NCEU

BRAKE

년/월
Year/Month

2022-12



NOTE

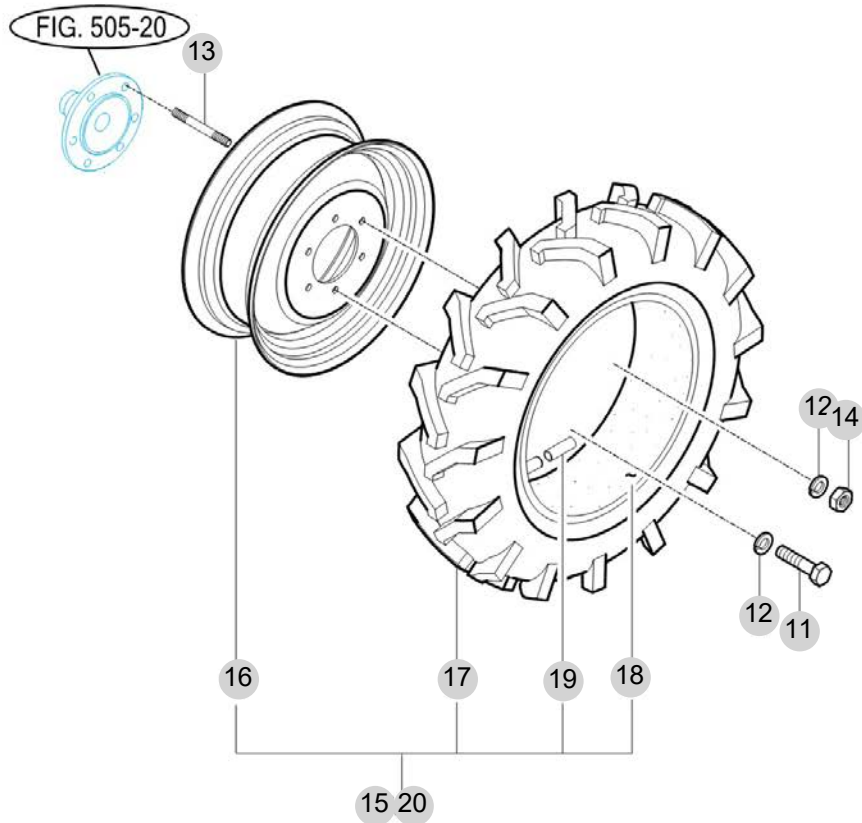
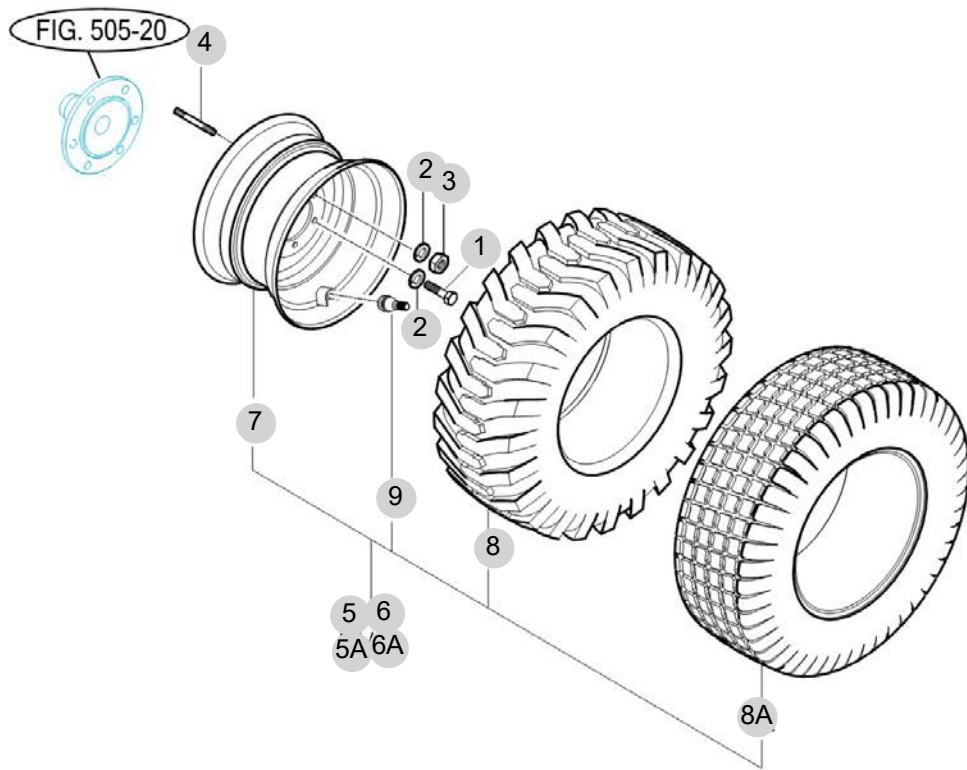
FIG 306

T355NCEU

FRONT WHEEL MOUNTING

년/월
Year/Month

2022-12



T394-E-306

NOTE

FIG 306 T355NCEU		FRONT WHEEL MOUNTING					년/월 Year/Month	
							2022-12	
							KEY NO	PART NO
306	1	V2014616030	소형육각볼트(보통)	M16X30	8			
306	2	V4011600160	스프링와셔	M16	12			
306	3	V3043600160	소형육각너트보통2종	M16	4			
306	4	15603200010	보울트(스타드,M16X30)	M16X30	4			
306	7	14583172200SR	휠림(15X8J) ASSY/R3,R4		2			
306	7	14583172200MS	휠림(15X8J) ASSY/R3,R4		2	B		R3, R4
306	8	14585172113	타이어(27X10.5-15,8PR,R4)		2	B		R4
306	8A	13033172111	타이어(27X10.5-15,4PR,R3)		2	B		R3
306	9	13154179000	타이어 밸브 SUB(413)		2			R3, R4
306	11	V2014616030	소형육각볼트(보통)	M16X30	8			
306	12	V4011600160	스프링와셔	M16	12			
306	13	15603200010	보울트(스타드,M16X30)	M16X30	4			
306	14	V3043600160	소형육각너트보통2종	M16	4			
306	16	14614172200MS	휠림(W6-16)COMP		2			
306	16	14614172200SR	휠림(W6-16)COMP		1			
306	17	15004172101	타이어(8-16,4PR,R1)		2			
306	18	15004170010	튜브(8-16)		2			
306	19	V9993000010	타이어밸브캡	A Type	2			
NOTE								

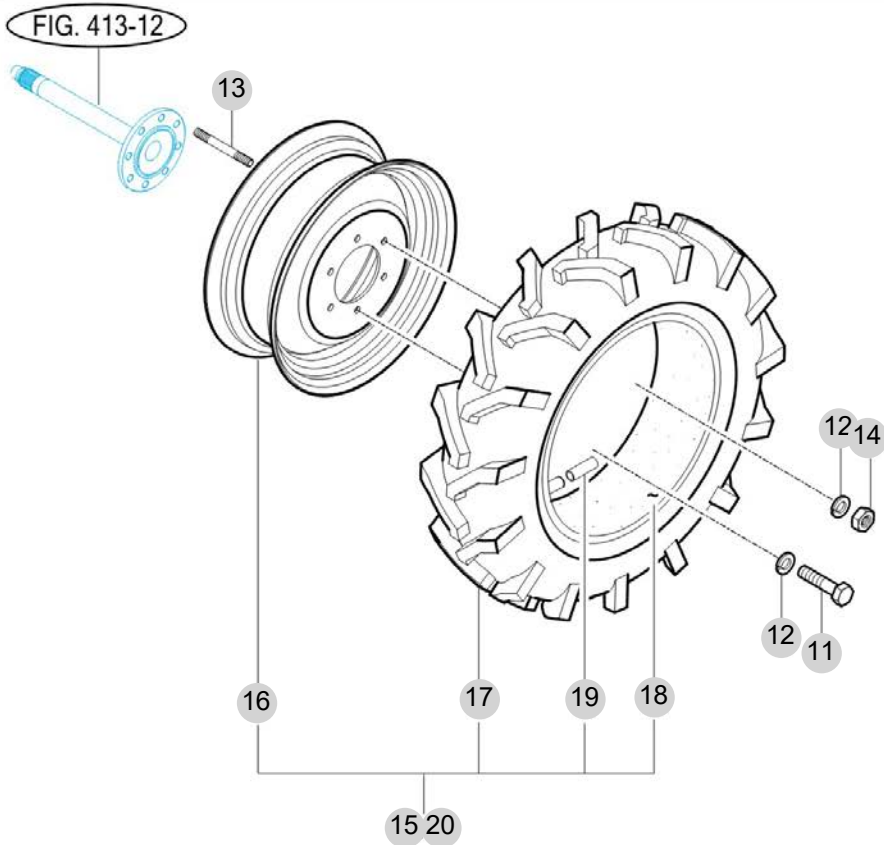
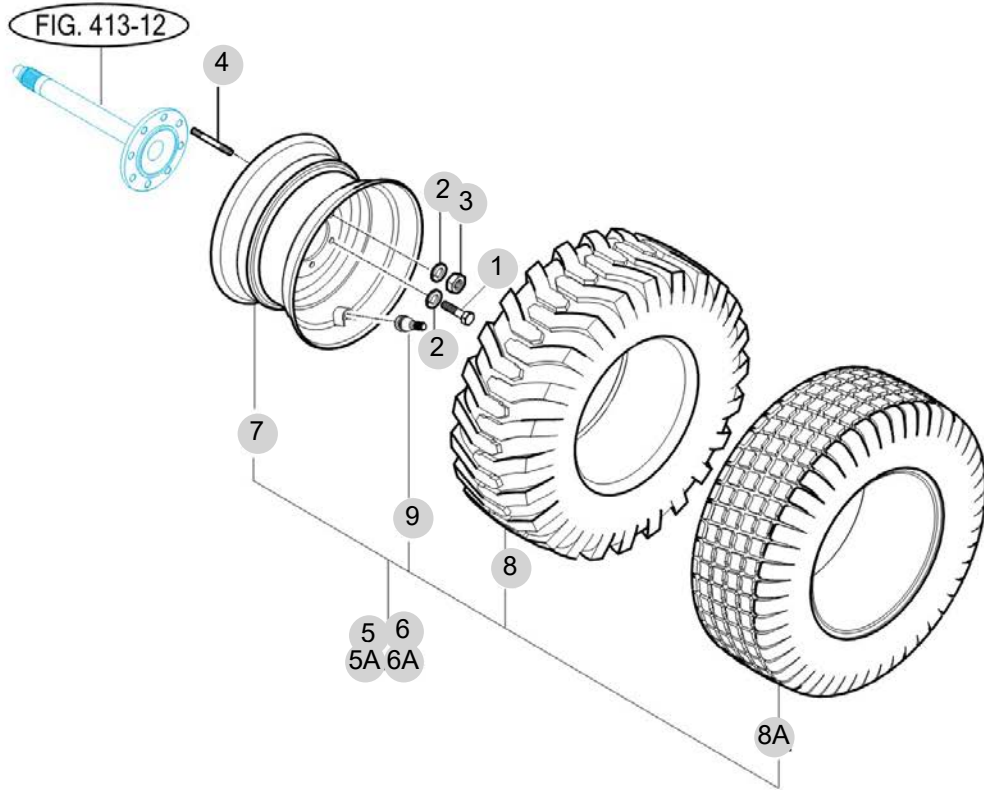
FIG 307

T355NCEU

REAR WHEEL MOUNTING

년/월
Year/Month

2022-12



T394-E-307

NOTE

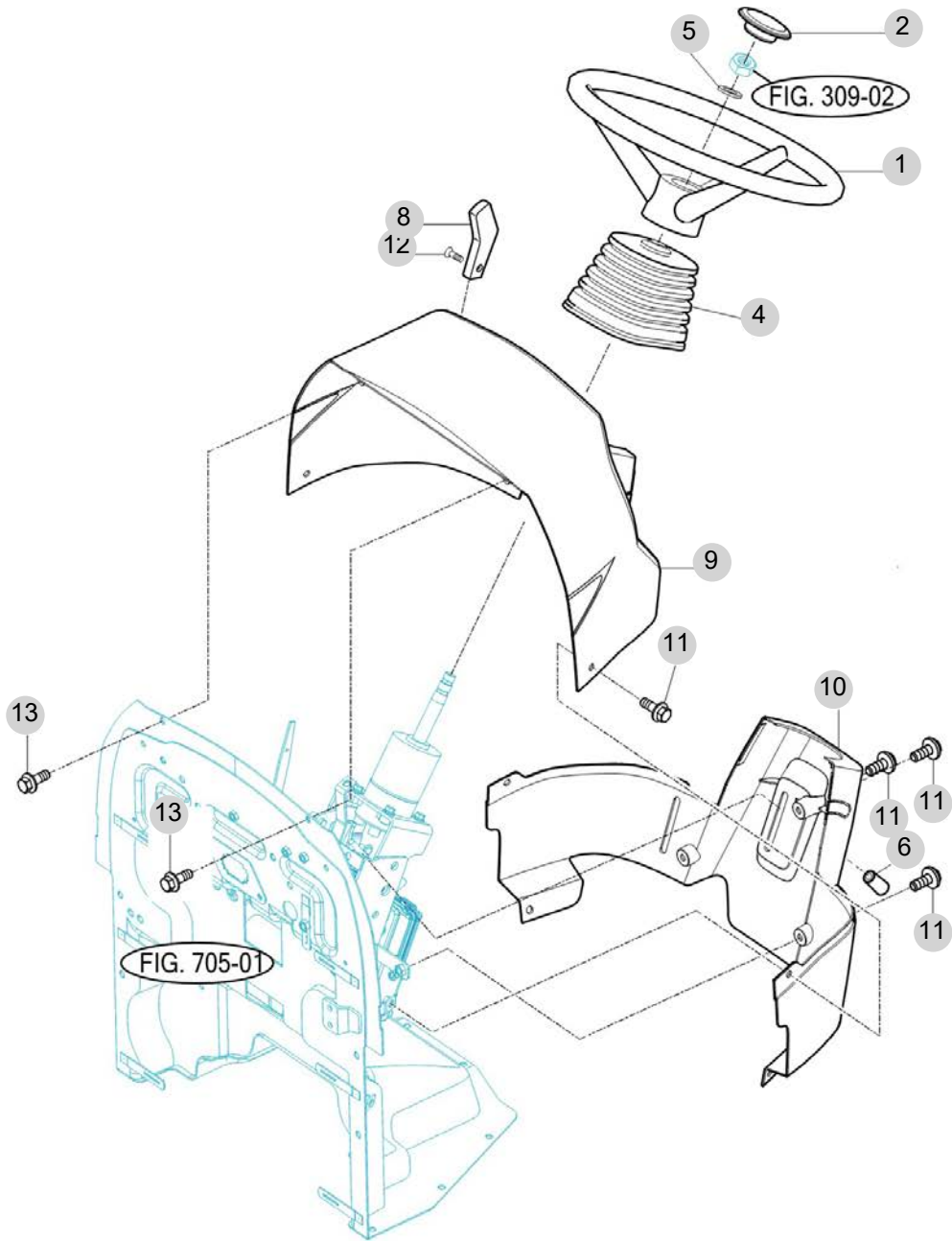
FIG 308

T355NCEU

STEERING WHEEL

년/월
Year/Month

2022-12



T354-E-308

NOTE

FIG 308		STEERING WHEEL						년/월 Year/Month
								2022-12
T355NCEU								
KEY NO	PART NO	DESCRIPTION	SPEC	QTY	REPAIR	EFFECTIVE DATE	REMARKS	
308	1	13834012100	스티어링 휠					
308	2	11644012302	캡(TYM), 스티어링 휠					
308	4	14724010052	부츠(틸트)					
308	5	V4011600160	스프링와셔	M16				
308	5	13834012200	이불이와셔(외치형)					
308	6	14445070030	레버손잡이					
308	8	12135110050	그립, 오렌지					
308	9	17406031013NB	대시 커버, 상					
308	10	17406031022NB	대시 커버, 하					
308	11	V2163808020	소형육각볼트보통(P)	M8X20				
308	12	V1122605012	심자흡점시작은나사					
308	13	V2113606012	육각볼트(S)	M6X12				
NOTE								

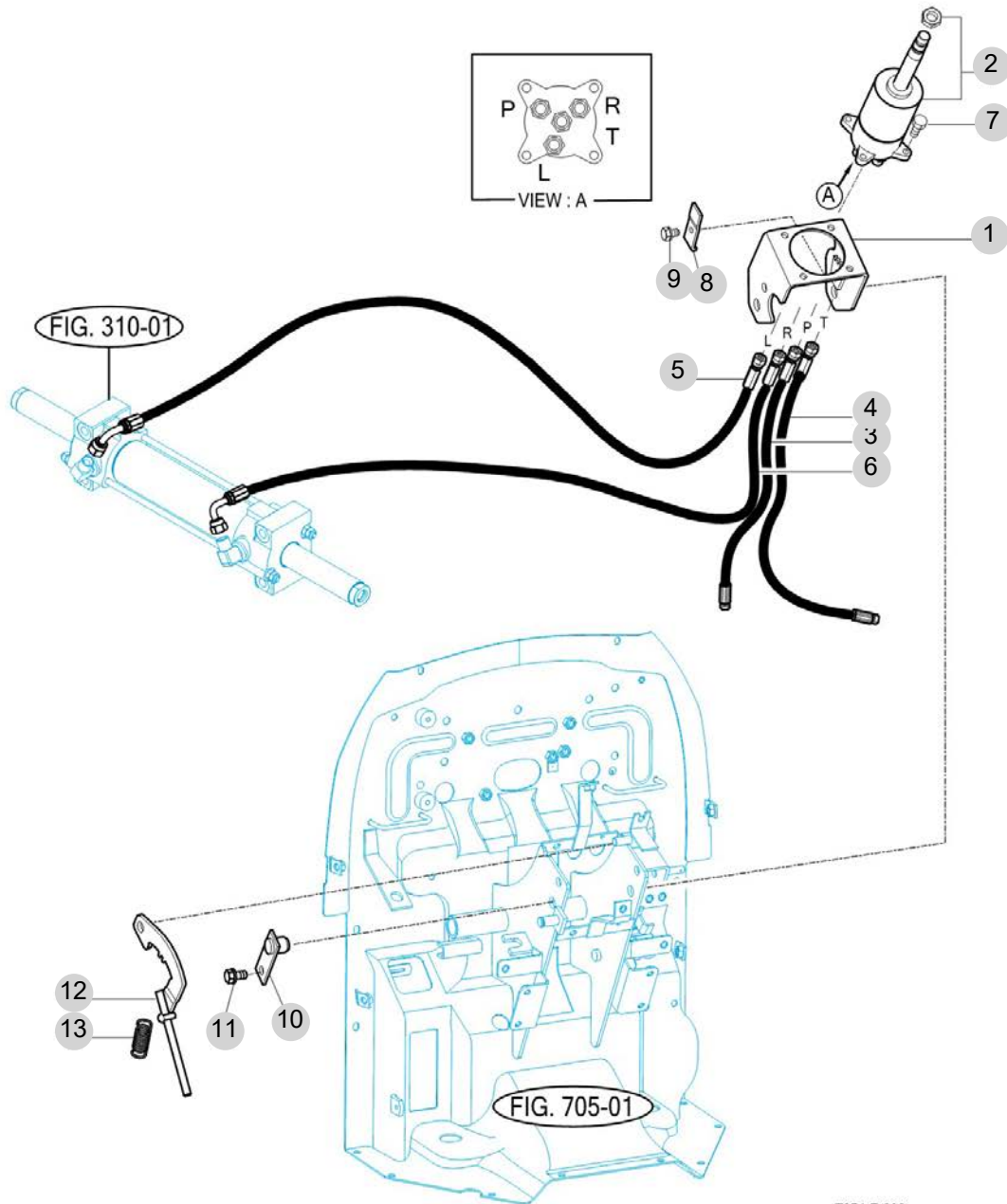
FIG 309

T355NCEU

STEERING VALVE & TILT

년/월
Year/Month

2022-12



T354-E-309

NOTE

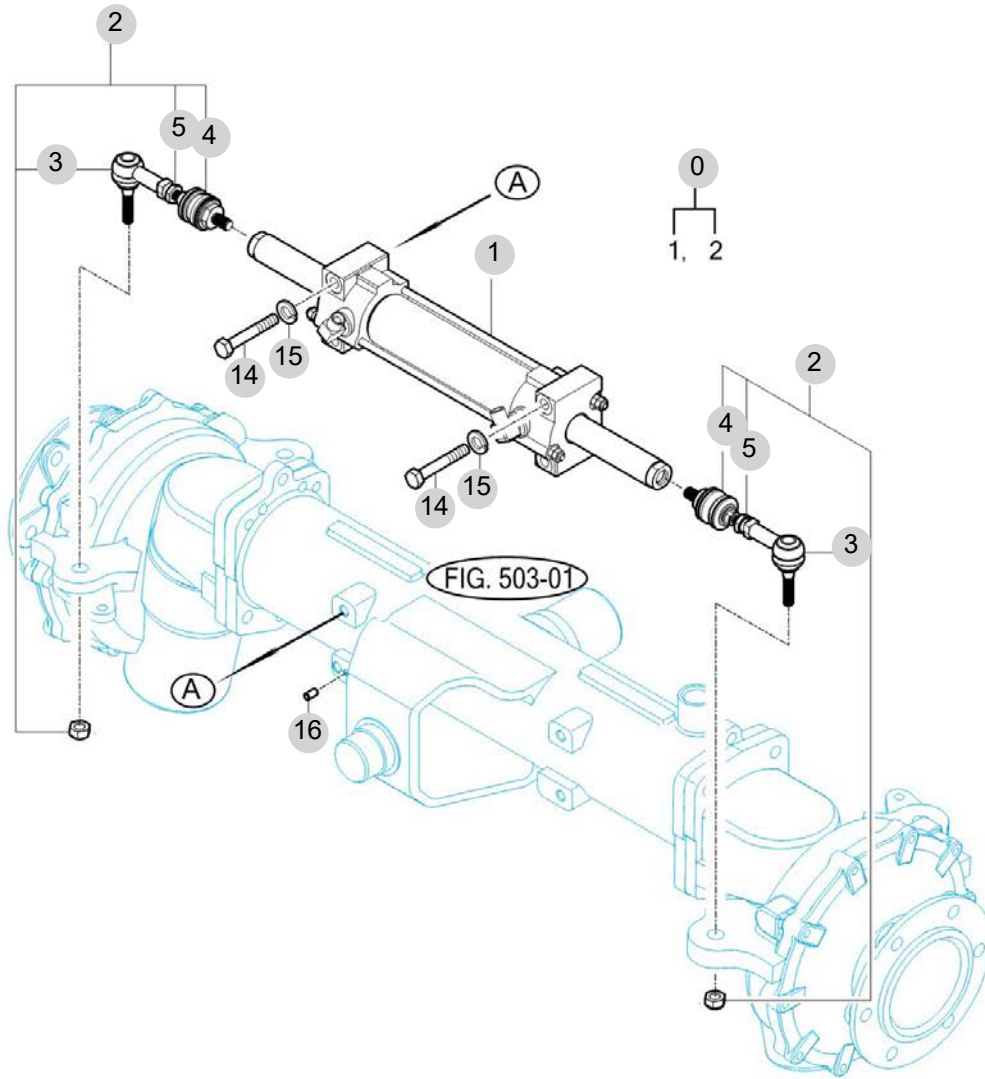
FIG 310

T355NCEU

STEERING CYLINDER

년/월
Year/Month

2022-12



T393NC-E-310

NOTE

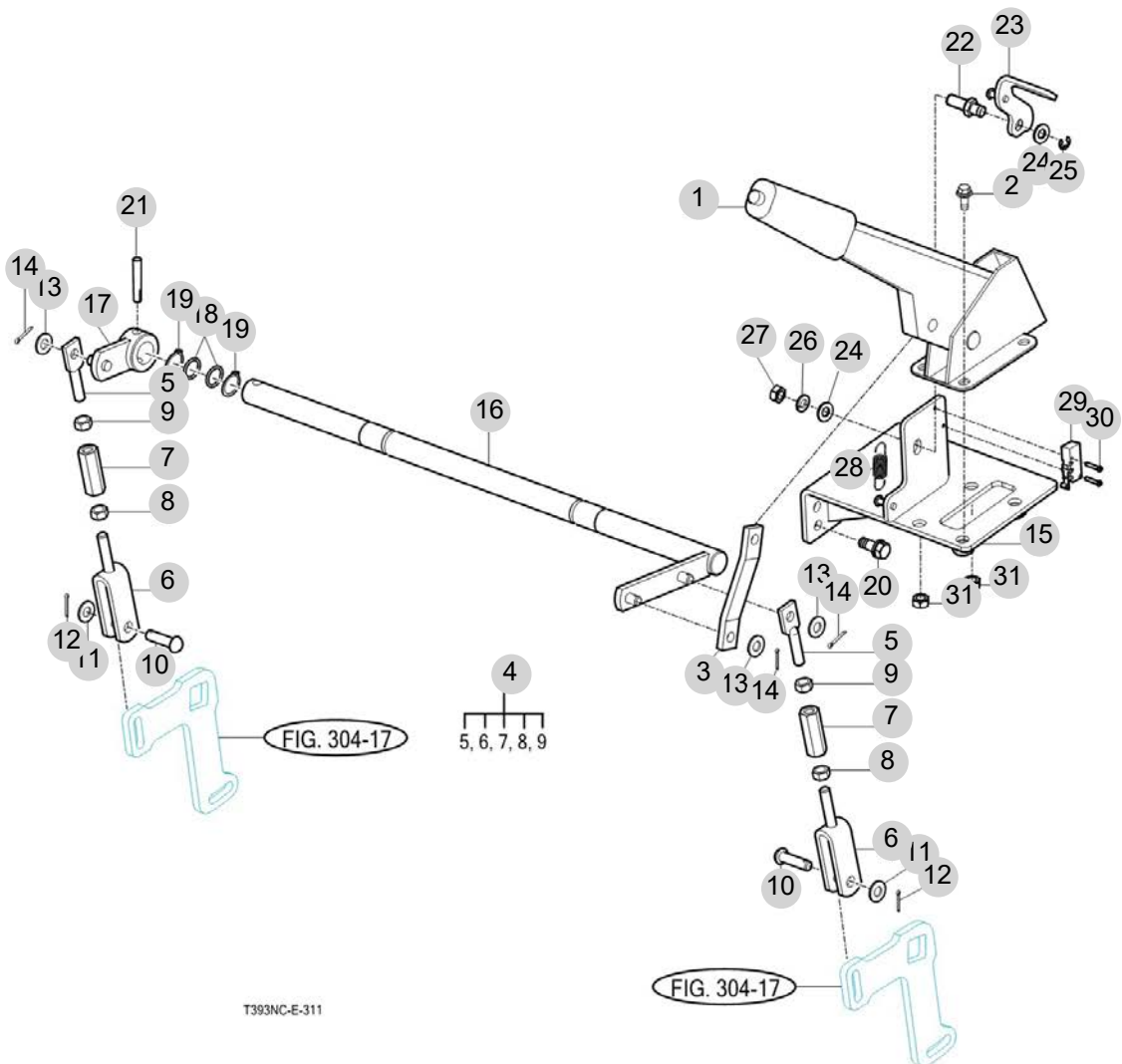
FIG 311

T355NCEU

HAND BRAKE LINKAGE

년/월
Year/Month

2022-12



T393NC-E-311

NOTE

4. 트랜스미션 PART NO. T4

FIG 401 TRANSMISSION FRONT CASE	81
FIG 402 INPUT METAL	83
FIG 403 INPUT GEAR	85
FIG 404 4WD DRIVE GEAR	87
FIG 405 MAIN CHANGE GEARS & REVERSE GEARS	89
FIG 406 SUB CHANGE GEARS	91
FIG 407 PINION GEARS	93
FIG 408 P.T.O DRIVE SHAFT	95
FIG 409 P.T.O CHANGE GEARS	97
FIG 410 DIFF LOCK	99
FIG 411 TRANSMISSION REAR CASE	101
FIG 412 REAR AXLE HOUSINGS (1)	103
FIG 413 REAR AXLE HOUSINGS (2)	105
FIG 414 MAIN CHANGE LEVER	107
FIG 415 SUB CHANGE LEVER	109
FIG 416 REVERSE LINK	111
FIG 417 REVERSE CHANGE LEVER	113
FIG 418 4WD CHANGE LEVER	115

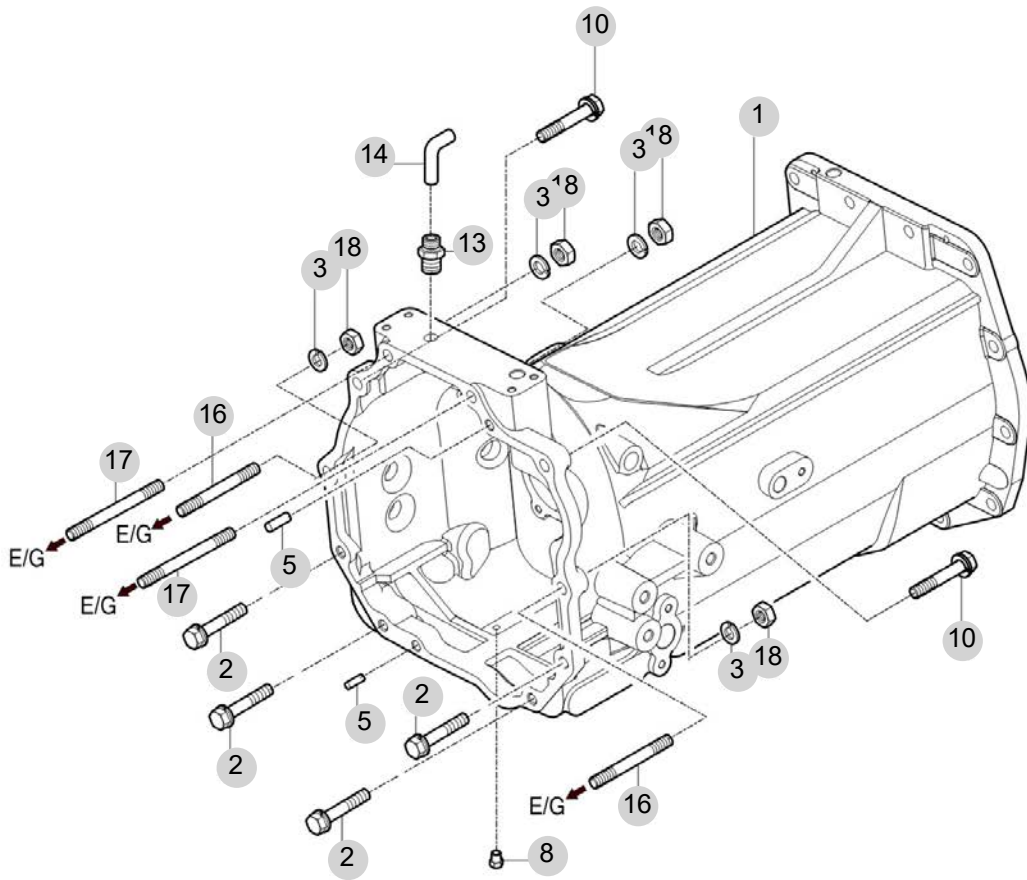
FIG 401

T355NCEU

TRANSMISSION FRONT CASE

년/월
Year/Month

2022-12



T345-E-401

NOTE

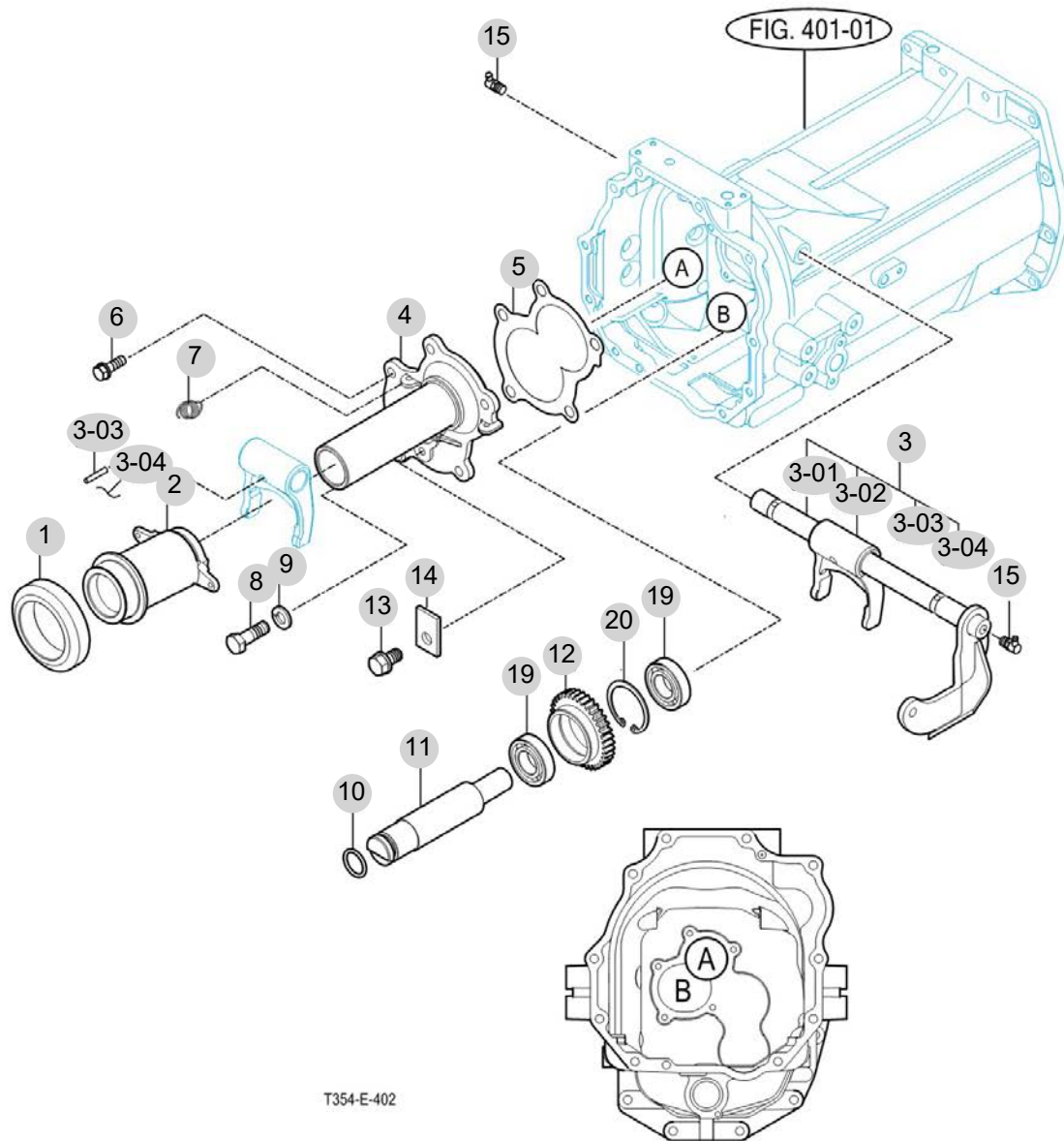
FIG 402

T355NCEU

INPUT METAL

년/월
Year/Month

2022-12



NOTE

FIG 402		INPUT METAL					년/월	REMARKS
							Year/Month	
T355NCEU							2022-12	
KEY NO		PART NO	DESCRIPTION	SPEC	QTY	REPAIR	EFFECTIVE DATE	
402	1	14601210050	클러치릴리스볼베어링(RCT5582RU)		1			
402	2	17401210020M	슬리브		1			
402	3	17401302000	바 SET		1			
402	3-01	17401302100	바 COMP		1			
402	3-02	14571302010	포크(릴리스)		1			
402	3-03	16701300010	핀(테이퍼,08X36)		1			
402	3-04	V5901012150	철선	1.2X150	1			
402	4	17401210010M	인풋 메탈		1			
402	5	16701031060	패킹, 인풋메탈		1			
402	6	14572100030	실볼트(M8X20)		4			
402	6	V2173608020	소형육각볼트보통(S)		4			
402	7	14321200040	텐션스프링(31)		2			
402	8	14151210090	리이머볼트		1			
402	9	V4011600080	스프링와셔	M8	1			
402	10	V7201035022	O링(P)	P22A	1			
402	11	16702121012	후진아이들축		1			
402	12	16702121023	기어(스퍼/24)		1			
402	13	V2173608012	소형육각볼트보통(S)	M8X12	1			
402	14	16702160090	플레이트		1			
402	15	V7631500000	그리сни플(B-PT)	B-PT1/8	2			
402	19	V6041106004	볼베어링(HL1)	6004HL1	2			
402	20	V7051400420	C형멈춤링(구멍용)	42	1			
NOTE								

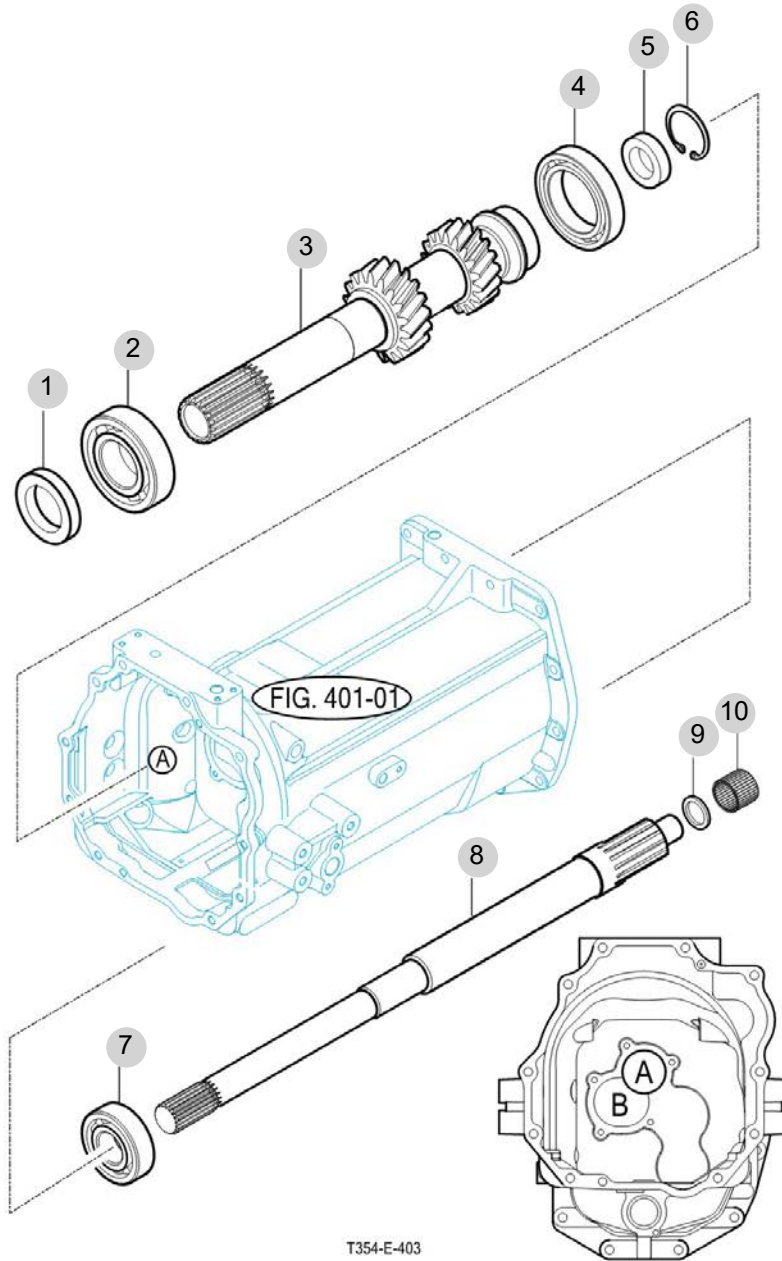
FIG 403

T355NCEU

INPUT GEAR

년/월
Year/Month

2022-12



T354-E-403

NOTE

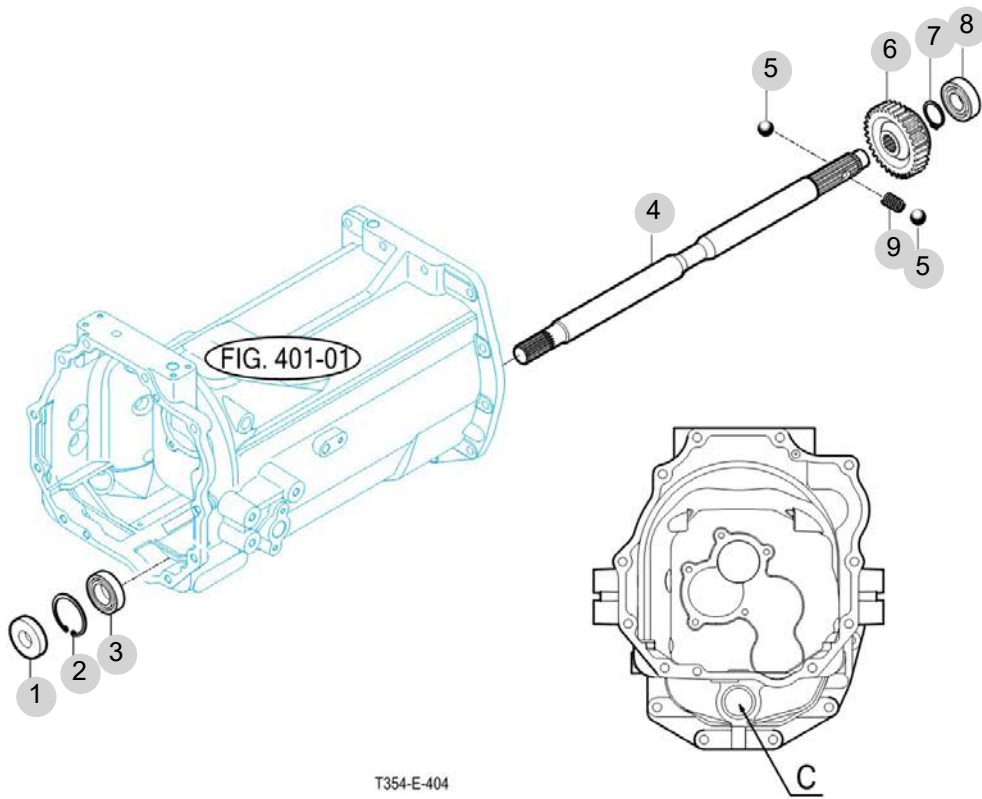
FIG 404

T355NCEU

4WD DRIVE GEAR

년/월
Year/Month

2022-12



NOTE

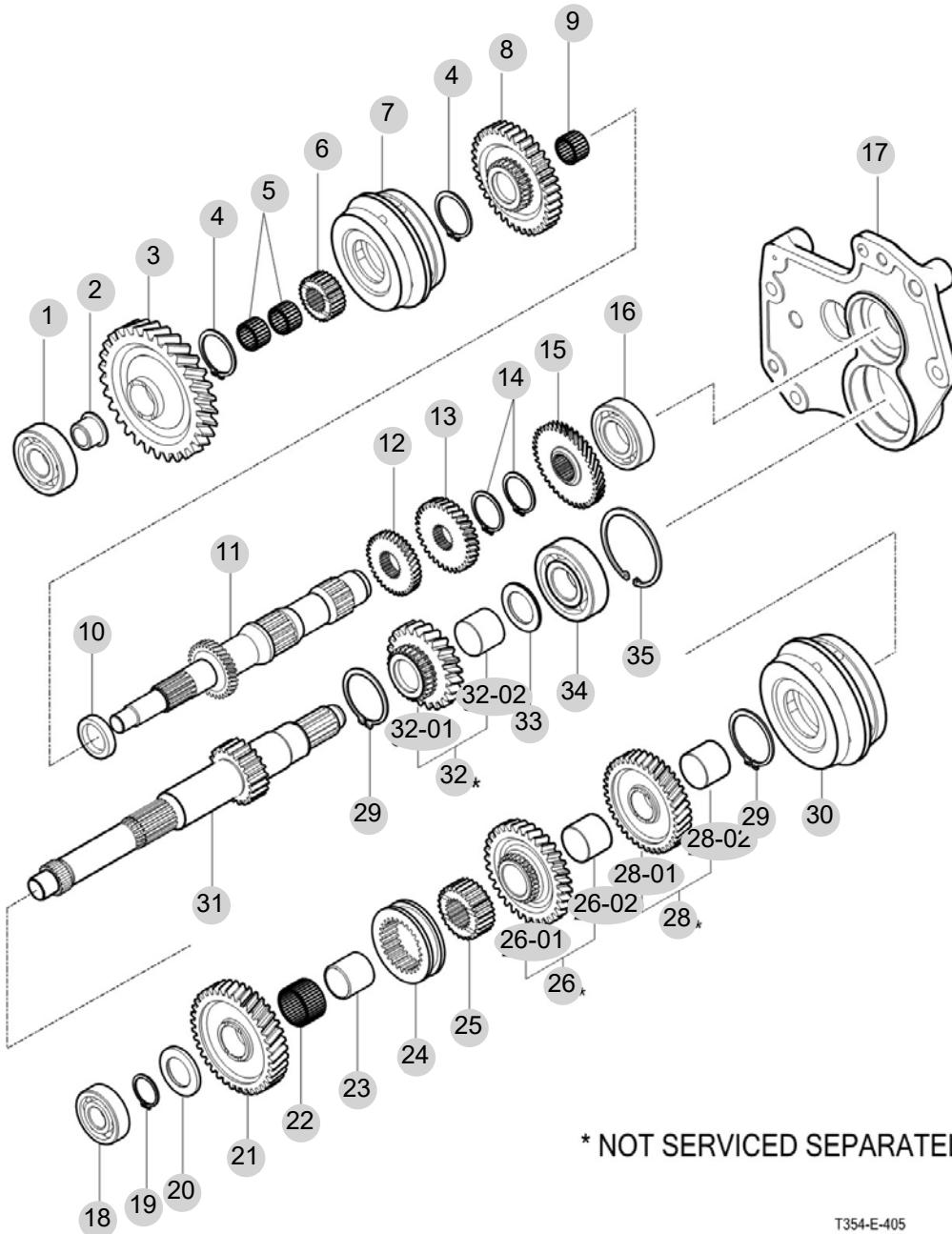
FIG 405

MAIN CHANGE GEARS & REVERSE GEARS

년/월
Year/Month

2022-12

T355NCEU



NOTE

FIG 405		MAIN CHANGE GEARS & REVERSE GEARS					년/월 Year/Month		
							2022-12		
T355NCEU		KEY NO	PART NO	DESCRIPTION	SPEC	QTY	REPAIR	EFFECTIVE DATE	REMARKS
405	1	V6041106305	볼베어링(HL1)	6305HL1	1				
405	2	16702142010	부시(17X25X19)		1				
405	3	16702131021	기어(헬리컬/42)		1				
405	4	V7041400400	C형멈춤링(축용)	40	2				
405	5	V6544202612	니들베어링(케이지)	KT202612	2				
405	6	16702090021	허브(25X51X20)		1				
405	7	14482092100	싱크로나이저ASSY		1				
405	8	16702131032	기어(헬리컬/39)		1				
405	8	16702131033	기어(스퍼/41)		1				
405	9	V6544283313	니들베어링(케이지)	KT283313	1				
405	10	16702130031	와셔(27X39X08)		1				
405	11	16702110012	기어(헬리컬/17)		1				
405	11	16702110013	기어(헬리컬/17)		1				
405	12	14572220050	기어(헬리컬/21)		1				
405	13	14572220060	기어(헬리컬/24)		1				
405	14	V7041400350	C형멈춤링(축용)	35	2				
405	15	14572220020	기어(헬리컬/29)		1				
405	16	V6041106206	볼베어링(HL1)	6206HL1	1				
405	17	16702200201M	베어링 메탈		1				
405	18	V6041106304	볼베어링(HL1)		1				
405	19	V7041400280	C형멈춤링(축용)	28	1				
405	20	16702210021	와셔(28X46X05)		1				
405	21	16702211042	기어(헬리컬/40)		1				
405	22	V6544323723	니들베어링(케이지)	KT323723	1				
405	23	15602080093	부시(28X32X31)		1				
405	24	15602080224	커플링(51X72X18)		1				
405	25	15682090020	허브(28X51X21)		1				
405	26	16702211200	기어조합(헬리컬/36)		1				
405	26-01	16702210070	기어(헬리컬/36)		1				
405	26-02	16702211910	부시(32X34X28)		1				
405	28	16702211500	기어조합(헬리컬/32)		1				
405	28-01	16702210150	기어(헬리컬/32)		1				
405	28-02	16702211910	부시(32X34X28)		1				
405	29	V7041400500	C형멈춤링(축용)	50	2				
405	30	16492092001	싱크로나이저ASSY		1				
405	31	16702211012	주변속축		1				
405	31	16702211013	주변속축		1				
405	31	16702211014	주변속축		1				
405	32	16702211900	기어조합(헬리컬/28)		1				
405	32-01	16702211020	기어(헬리컬/28)		1				
405	32-02	16702211910	부시(32X34X28)		1				
405	33	15642160041	와셔(30X46X03)		1				
405	34	V6001106306	볼베어링	6306	1				
405	35	V7051400720	C형멈춤링(구멍용)	72	1				
NOTE									

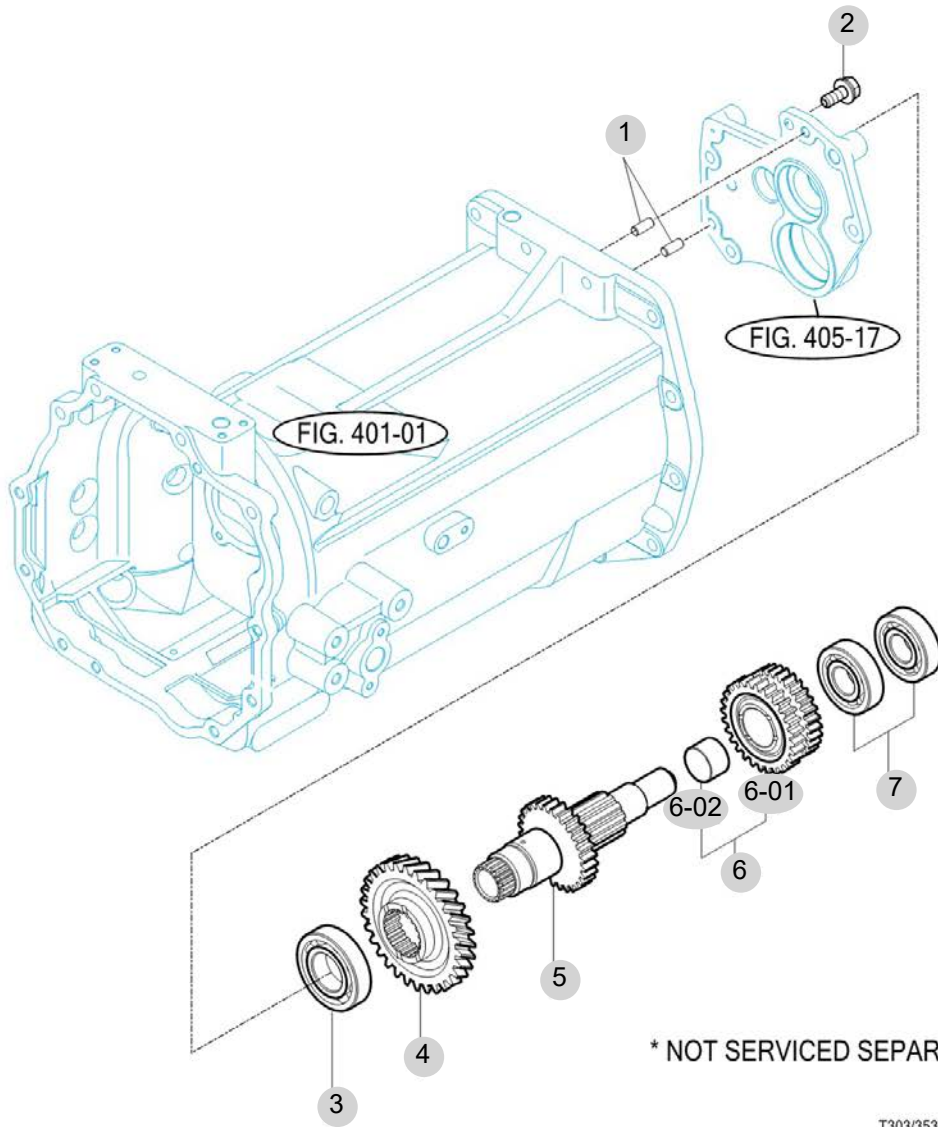
FIG 406

T355NCEU

SUB CHANGE GEARS

년/월
Year/Month

2022-12



T303/353NC-E-406

NOTE

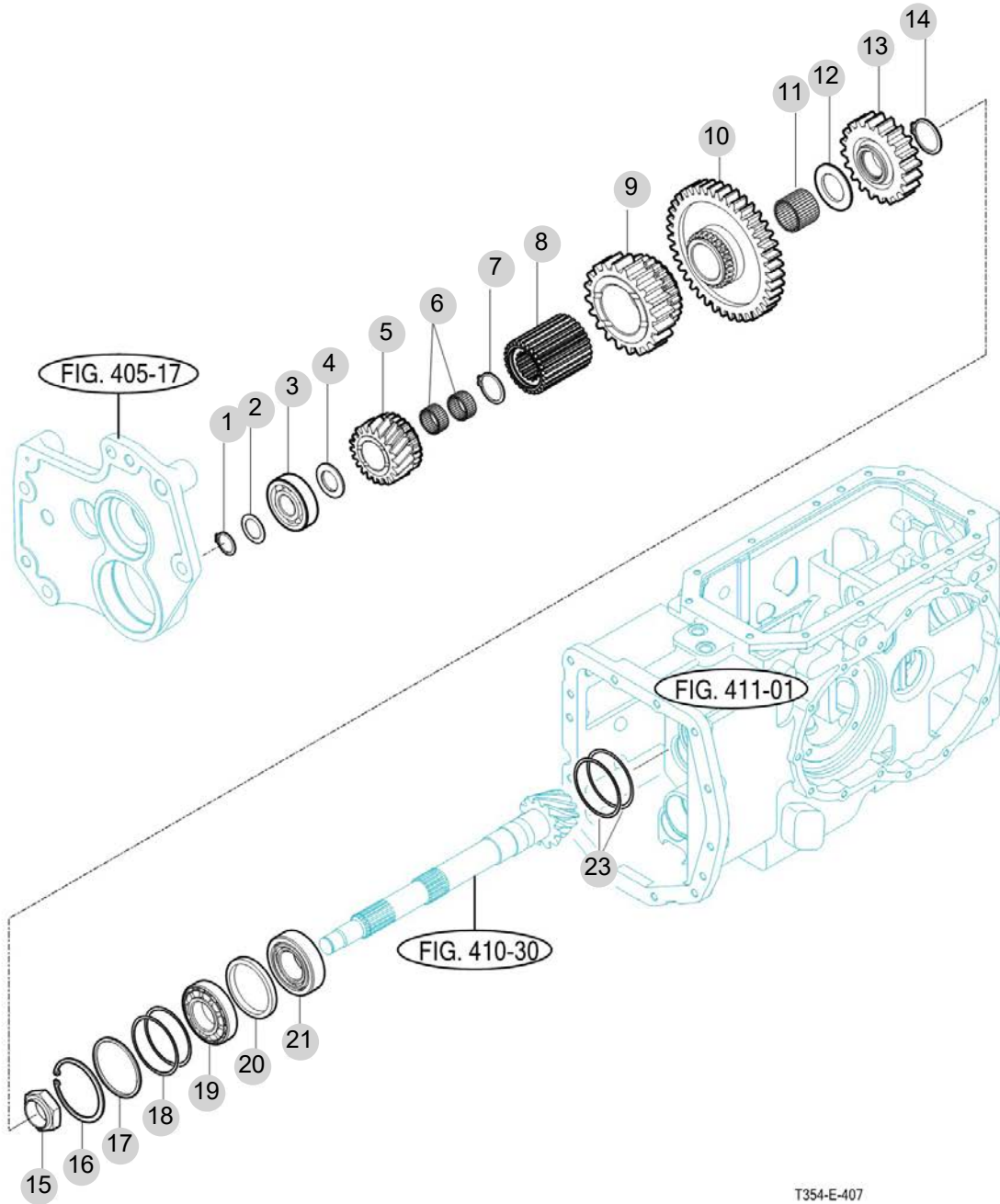
FIG 407

T355NCEU

PINION GEARS

년/월
Year/Month

2022-12



T354-E-407

NOTE

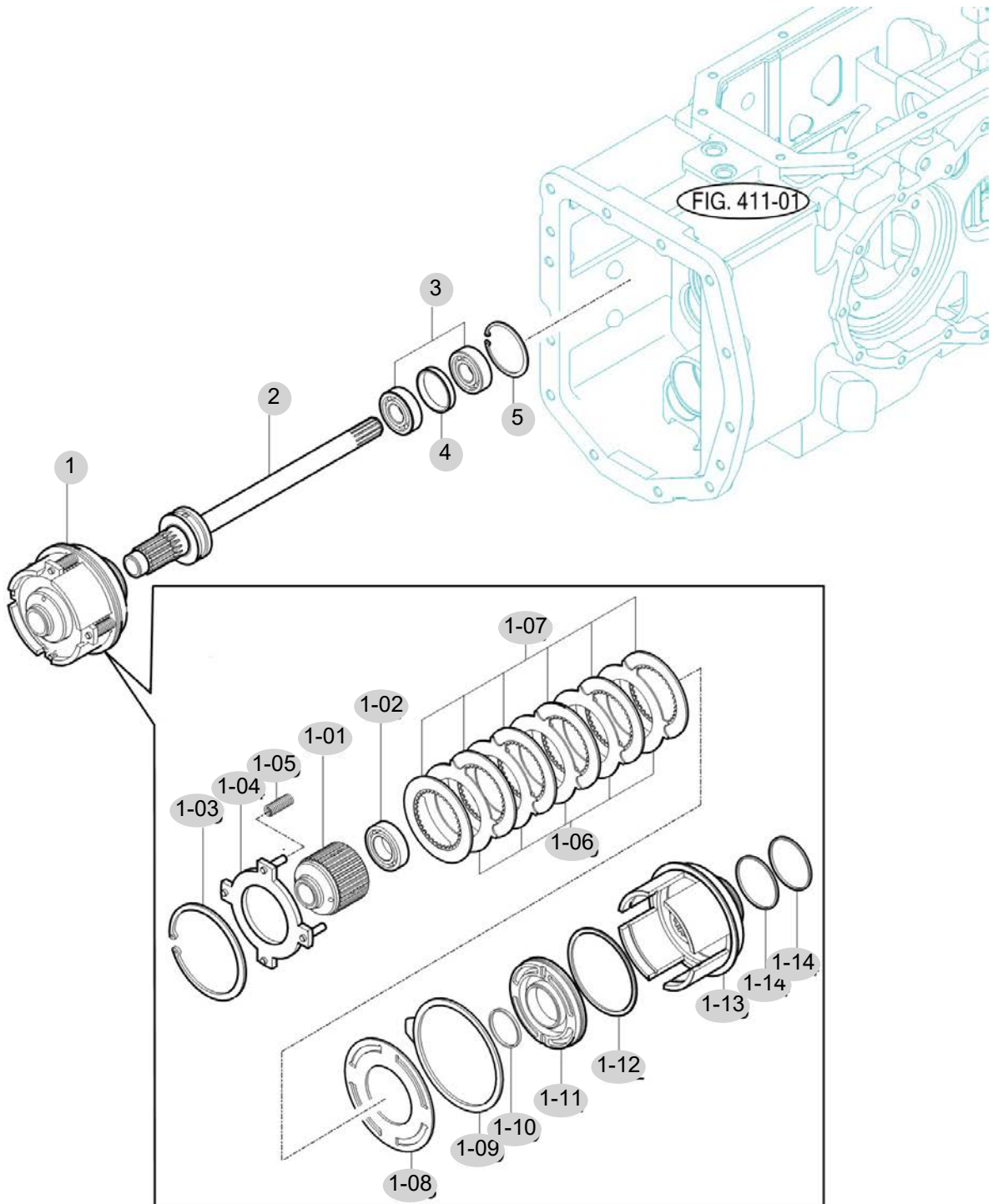
FIG 408

T355NCEU

P.T.O DRIVE SHAFT

년/월
Year/Month

2022-12



T354-E-408

NOTE

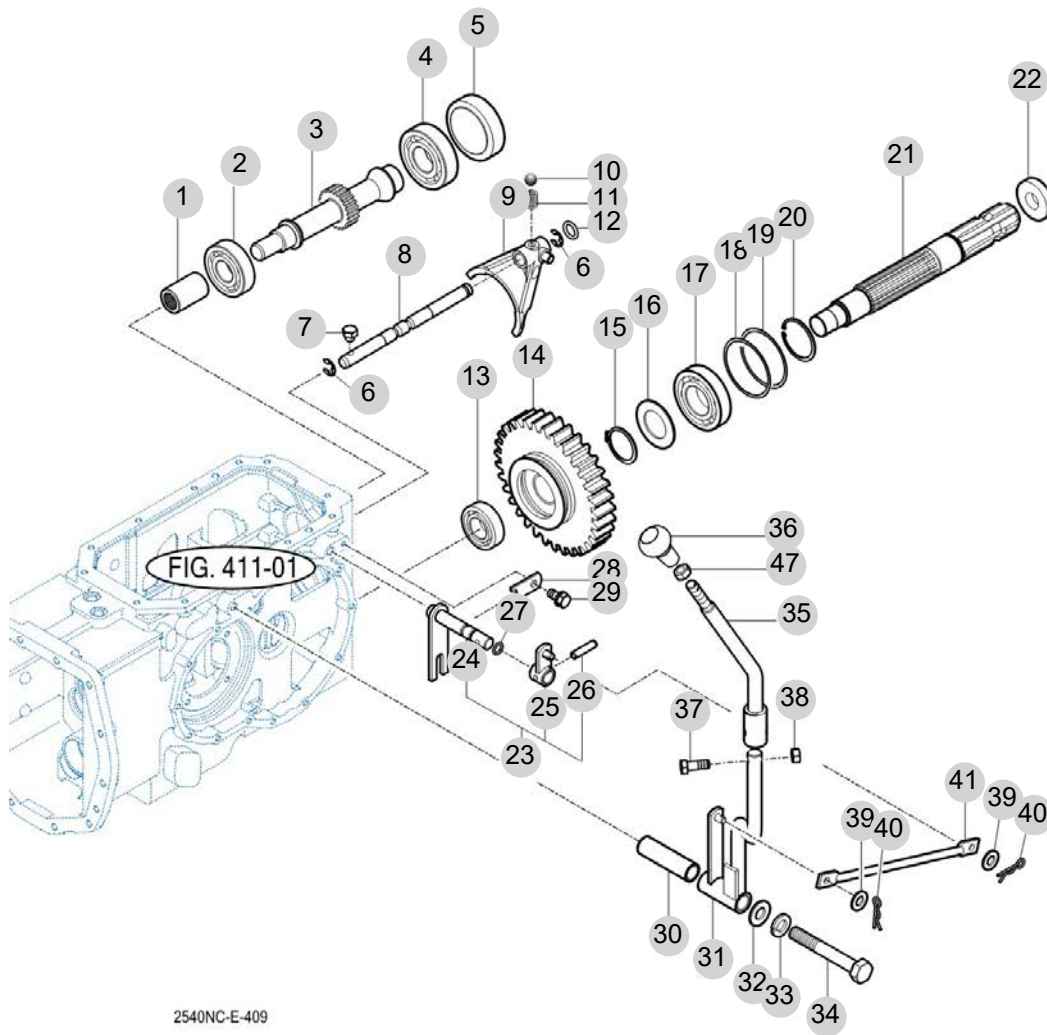
FIG 409

T355NCEU

P.T.O CHANGE GEARS

년/월
Year/Month

2022-12



2540NC-E-409

NOTE

FIG 409		P.T.O CHANGE GEARS						년/월		
								Year/Month		
T355NCEU									2022-12	
KEY NO	PART NO	DESCRIPTION			SPEC	QTY	REPAIR	EFFECTIVE DATE	REMARKS	
409	1	14211340190	커플링				1			
409	2	V6001106305	볼베어링			6305	1			
409	3	13212543530	기어, 스퍼 PTO 11				1			
409	4	V6001106306	볼베어링			6306	1			
409	5	14254330180	캠(72)				1			
409	6	V7081400100	E형멈춤링			Ø10	2			
409	7	15602231610	볼트(셋트/M8X16)				1			
409	8	13212540020	PTO 시프트스테이				1			
409	9	16702540011M	포크(PTO)				1			
409	10	V6802000010	강구			5/16	1			
409	11	13022250030	시프터스프링				1			
409	12	V7201024010	O링(P)			P10	1			
409	13	V6001106205	볼베어링			6205	1			
409	14	13212543500	기어(스퍼/PTO 54)				1			
409	15	V7041400350	C형멈춤링(축용)			Ø35	1			
409	16	14443140041	칼라(35X50X2)				1			
409	17	V6001106207	볼베어링			6207	1			
409	18	79642010080	심(B)				2			
409	19	16322730030	심(0.5)				1			
409	20	V7051400720	C형멈춤링(구멍용)			Ø72	1			
409	21	16703140011	PTO축				1			
409	22	16322732000	씰(오일) ASSY				1			
409	23	16702555102	리어 PTO 후크 SET				1			
409	24	16702542102	리어 PTO 후크 COMP				1			
409	25	16702432201	암(부변속) COMP				1			
409	26	V5801406025	스프링핀			6X25	1			
409	27	V7201024012	O링(P)			P12	1			
409	28	16702230371	플레이트				1			
409	29	V2173608016	소형육각볼트보통(S)			M8X16	1			
409	30	16702440070	허브(13X17X61)				1			
409	31	16702552103	PTO 레버, 하 COMP				1			
409	32	V4111600120	평와셔			M12	1			
409	33	V4011600120	스프링와셔			M12	1			
409	34	V2013612085	소형육각볼트(보통)			M12X85	1			
409	35	16702552202GB	PTO레버(상)COMP				1			
409	36	16992190102	그립(PTO)				1			
409	36	19682190100	그립(PTO)				1			
409	37	V2013608035	소형육각볼트(보통)				1			
409	38	V3042600080	소형육각너트보통2종			M8	1			
409	39	V4111600080	평와셔			M8	2			
409	40	V5601600008	스냅핀			8	2			
409	41	16702553100	로드(236)				1			
409	47	V3342600100	소형육각너트가는2종				1			
NOTE										

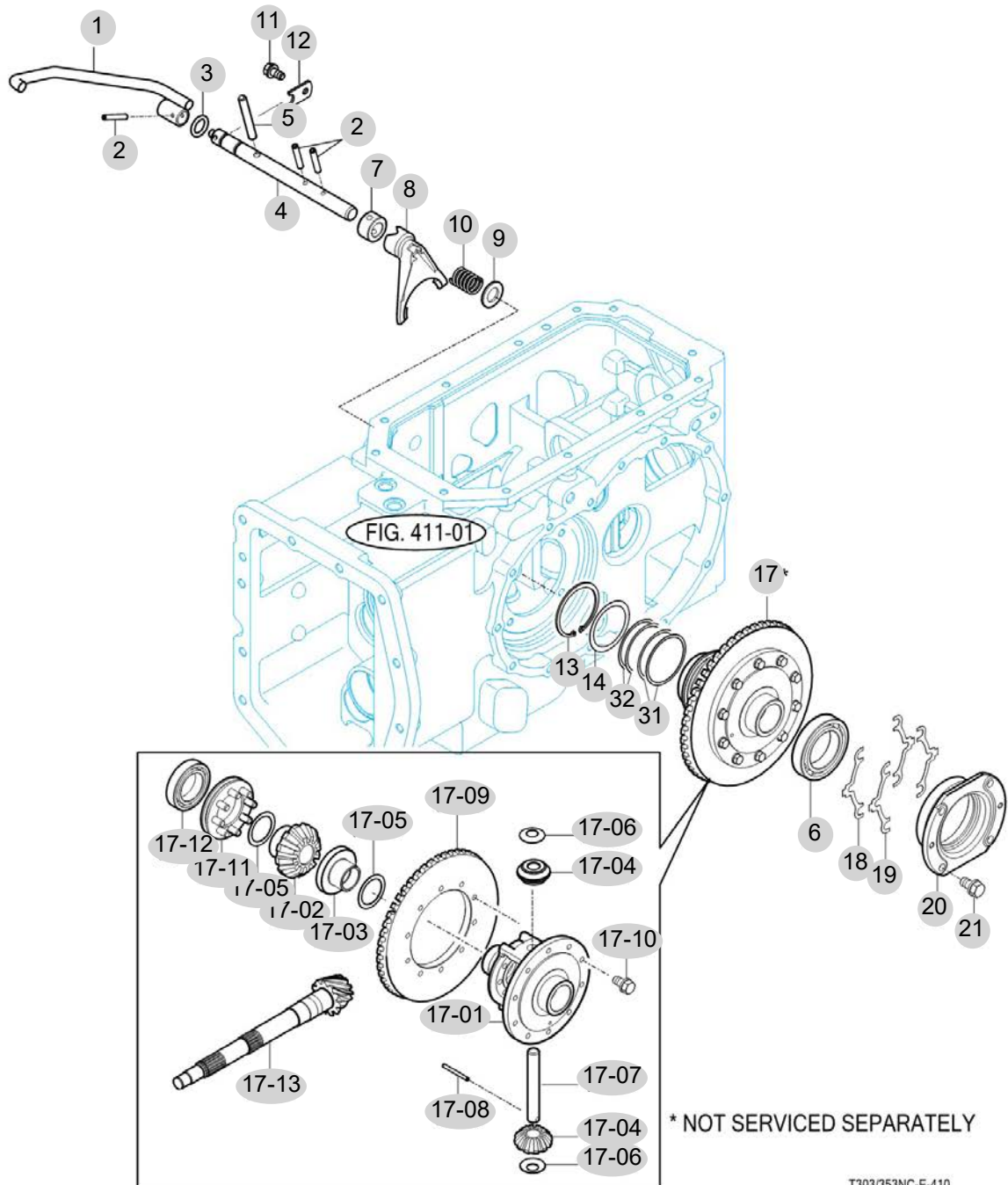
FIG 410

T355NCEU

DIFF LOCK

년/월
Year/Month

2022-12



T303/353NC-E-410

NOTE

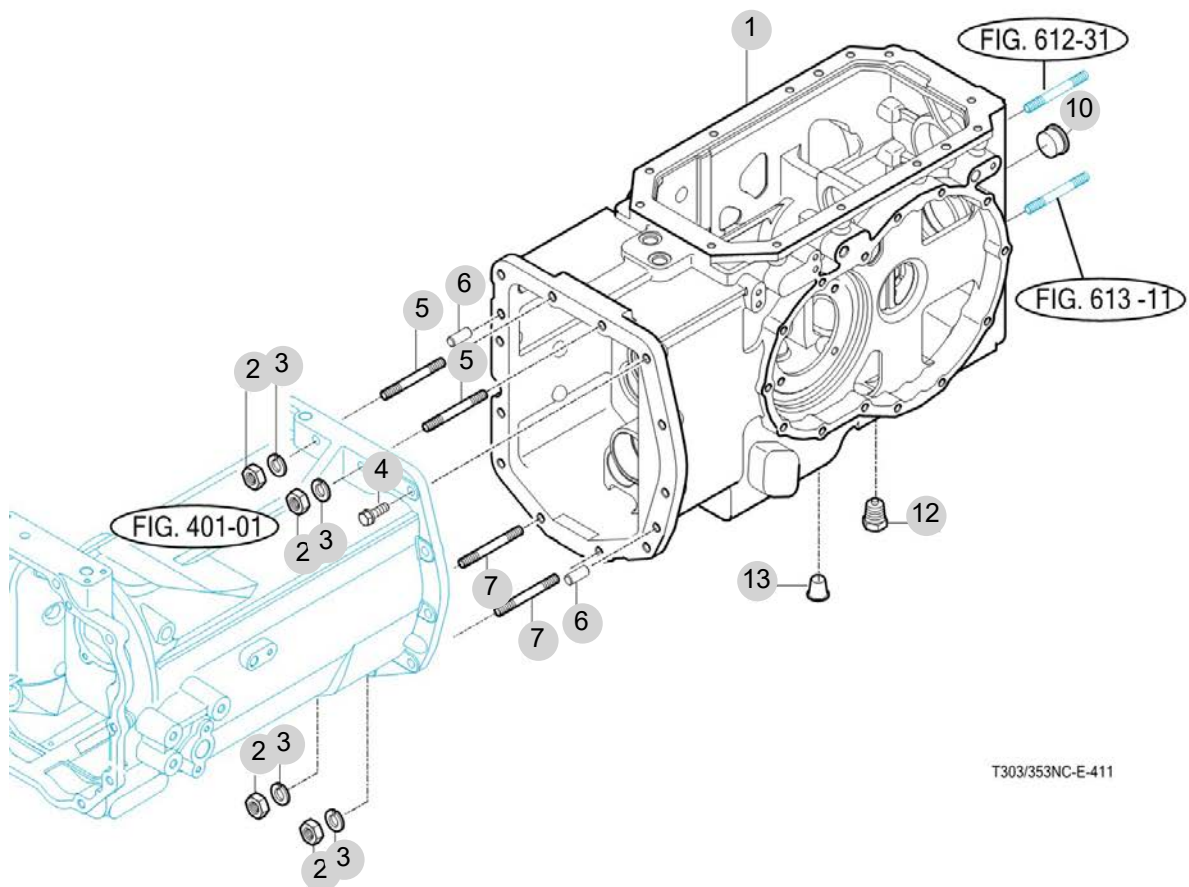
FIG 411

T355NCEU

TRANSMISSION REAR CASE

년/월
Year/Month

2022-12



T303/353NC-E-411

NOTE

FIG 411		TRANSMISSION REAR CASE						년/월 Year/Month	
								2022-12	
								T355NCEU	
KEY NO		PART NO	DESCRIPTION	SPEC	QTY	REPAIR	EFFECTIVE DATE	REMARKS	
411	1	13612400010M	리어트랜스미션케이스		1				
411	2	V3043600120	소형육각너트보통2종	M12	4				
411	3	V4011600120	스프링와셔	M12	4				
411	4	V2173612040	소형육각볼트보통(S)	M12X40	8				
411	5	V2513412045	스터드볼트2종	M12X45	2				
411	6	V5201010022	평행핀(A)	10X22	2				
411	7	V2514412040	스터드볼트2종	M12X40	2				
411	10	11103062000	오일 점검게이지ASSY		1				
411	12	16701015001	마그넷플러그ASSY		1				
411	13	14273170040	캠(M14)		6				
NOTE									

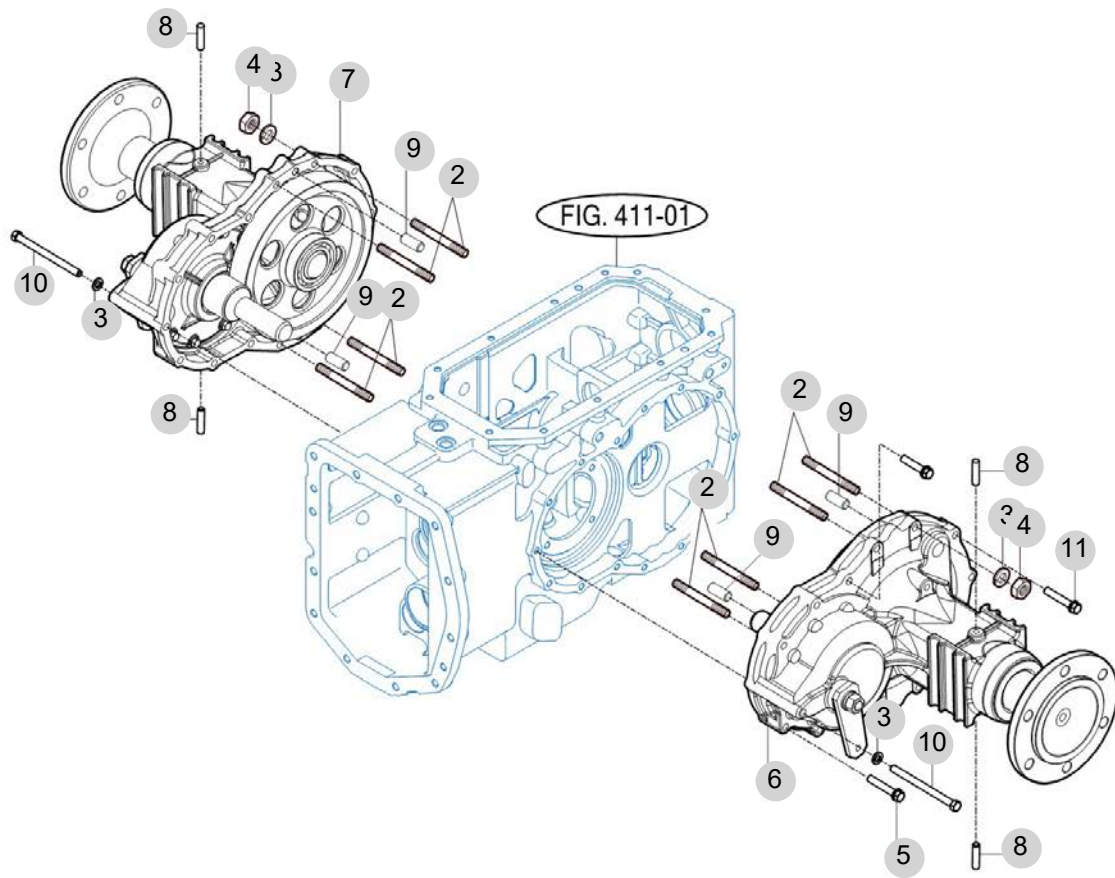
FIG 412

T355NCEU

REAR AXLE HOUSINGS (1)

년/월
Year/Month

2022-12



2545ST-E-412

NOTE

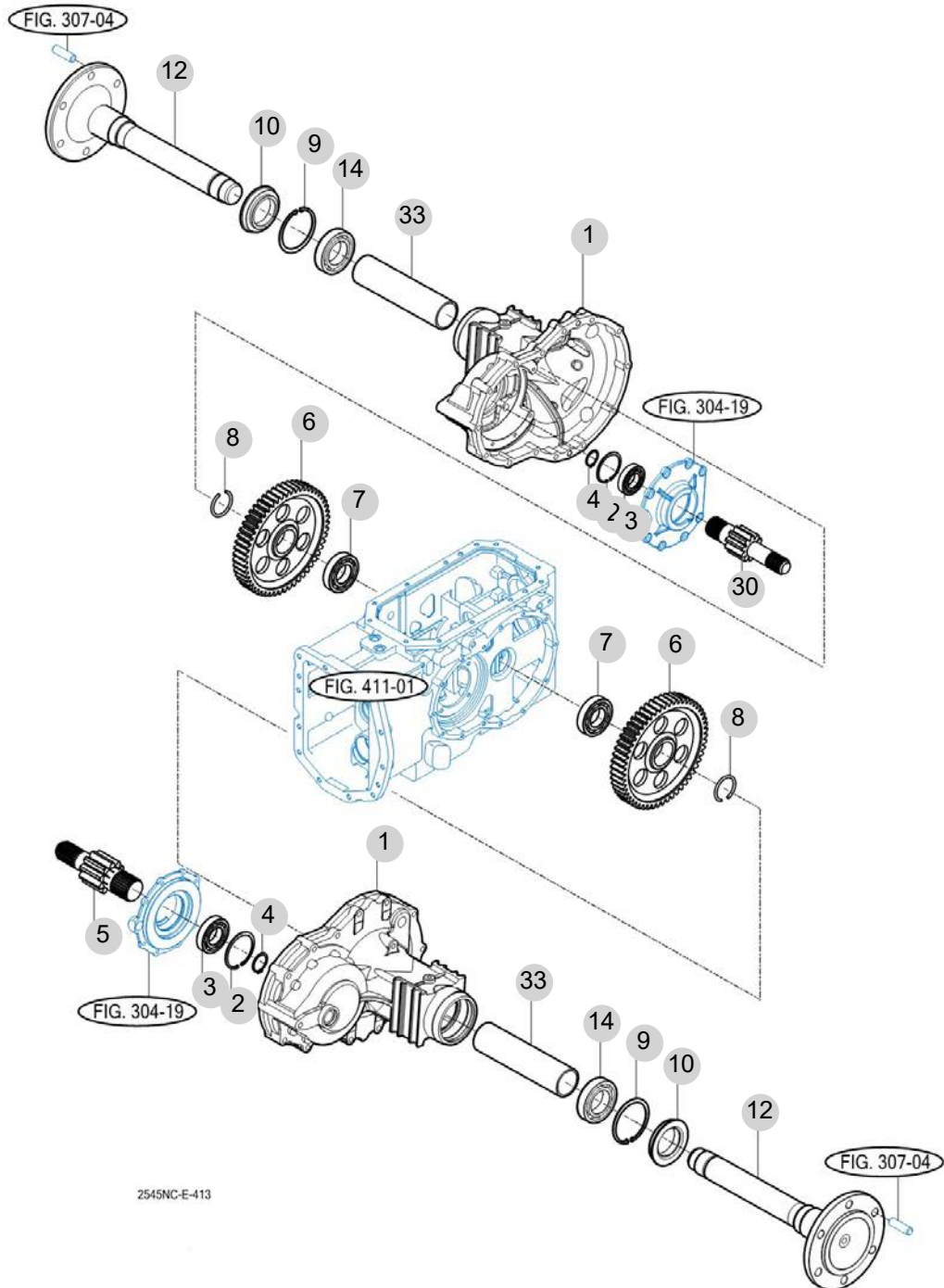
FIG 413

T355NCEU

REAR AXLE HOUSINGS (2)

년/월
Year/Month

2022-12



2545NC-E-413

NOTE

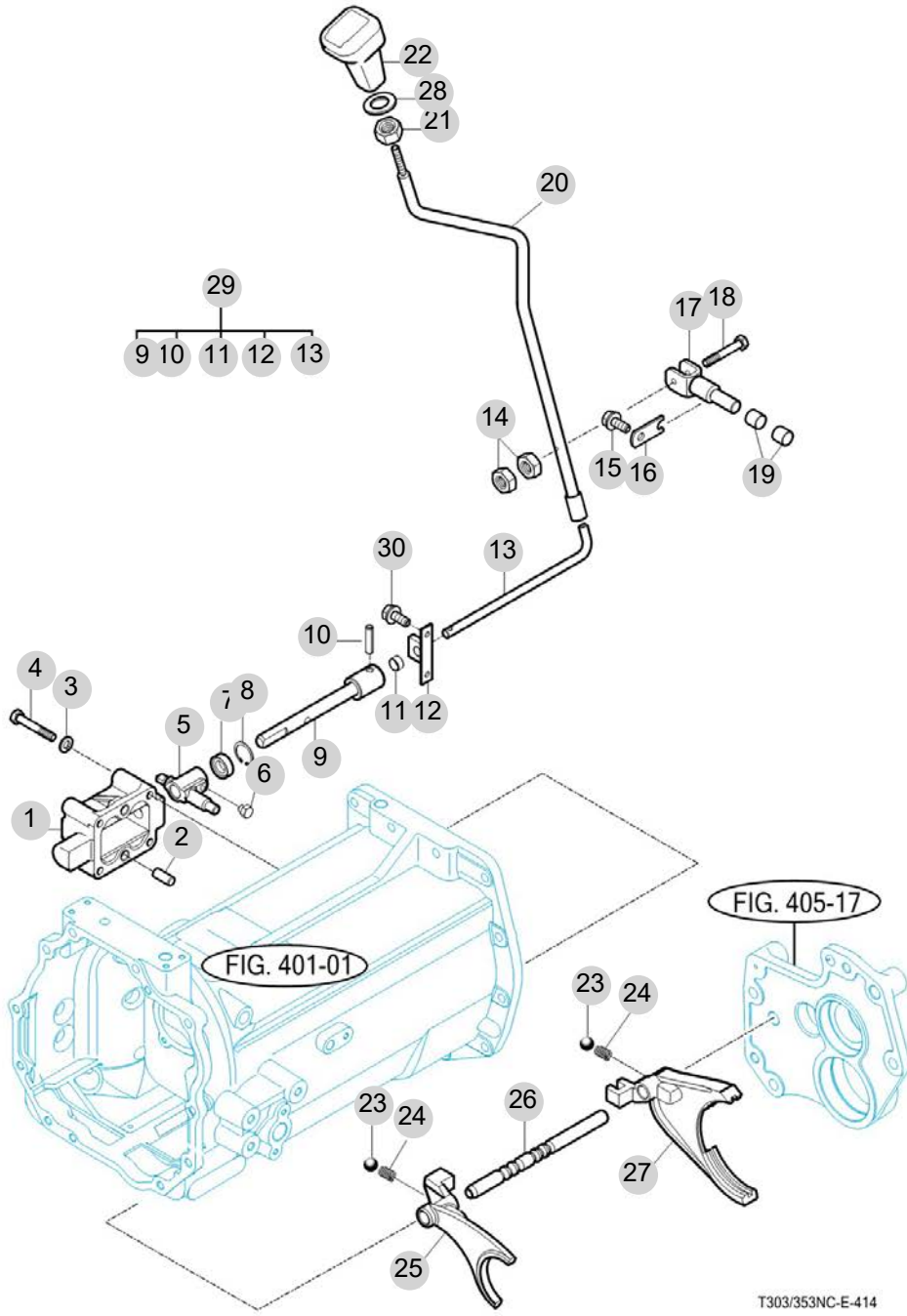
FIG 414

MAIN CHANGE LEVER

년/월
Year/Month

2022-12

T355NCEU



T303/353NC-E-414

NOTE

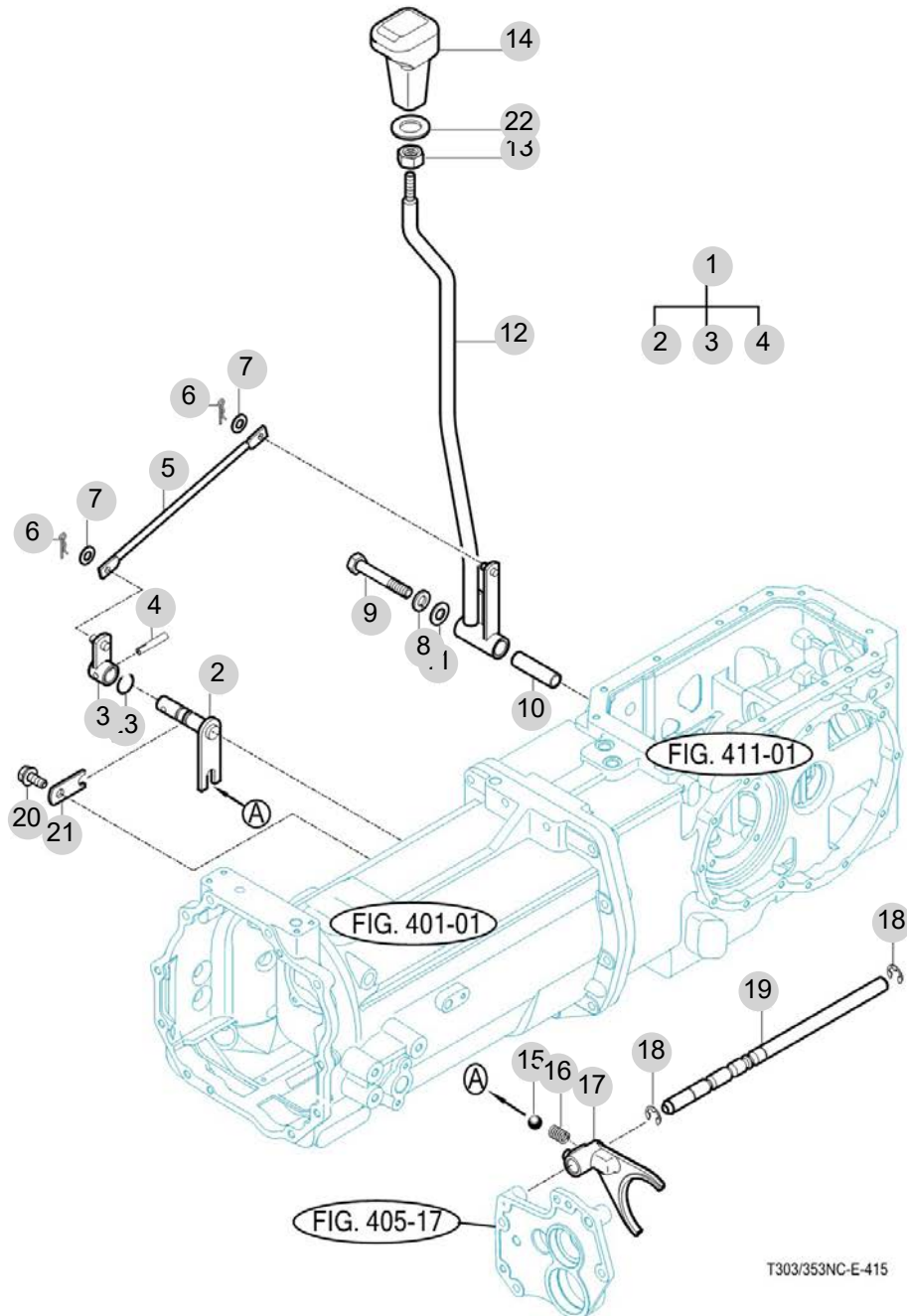
FIG 415

T355NCEU

SUB CHANGE LEVER

년/월
Year/Month

2022-12



T303/353NC-E-415

NOTE

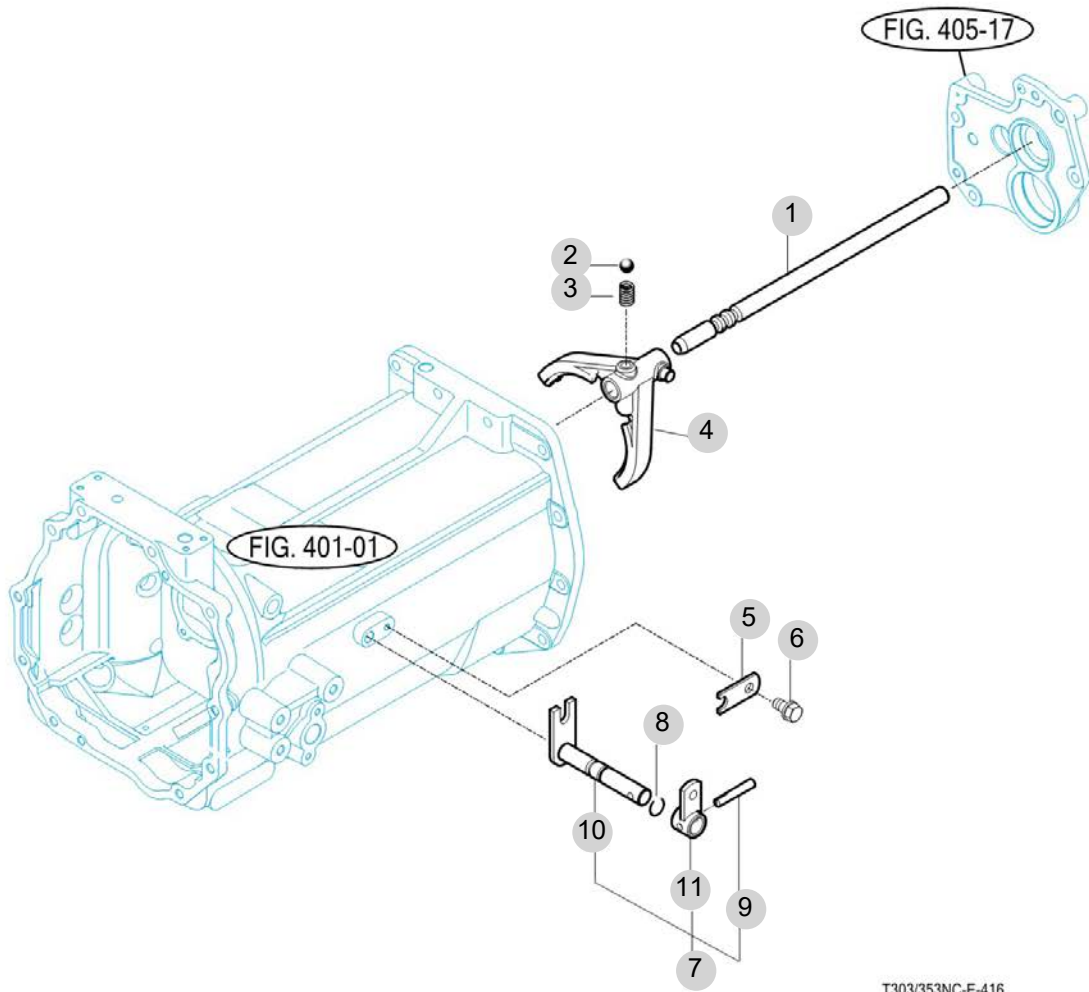
FIG 416

T355NCEU

REVERSE LINK

년/월
Year/Month

2022-12



T303/353NC-E-416

NOTE

FIG 416

REVERSE LINK

T355NCEU

년/월
Year/Month

2022-12

KEY NO	PART NO	DESCRIPTION	SPEC	QTY	REPAIR	EFFECTIVE DATE	REMARKS
416	1	16702250060	스태이(시프터/리버스)	1			
416	2	V6802000010	강구	1			
416	3	13022250030	시프터스프링	1			
416	4	16702140012M	포크(시프트/셔틀)	1			
416	5	16702230371	플레이트	1			
416	6	V2173608016	소형육각볼트보통(S)	M8X16	1		
416	7	16702252000	암(리버스) SET	1			
416	8	V7201024012	O링(P)	P12	1		
416	9	V5111006036	스플릿테이퍼핀	6X36	1		
416	10	16702252500	암 COMP	1			
416	11	16702252301	후크 COMP	1			
NOTE							

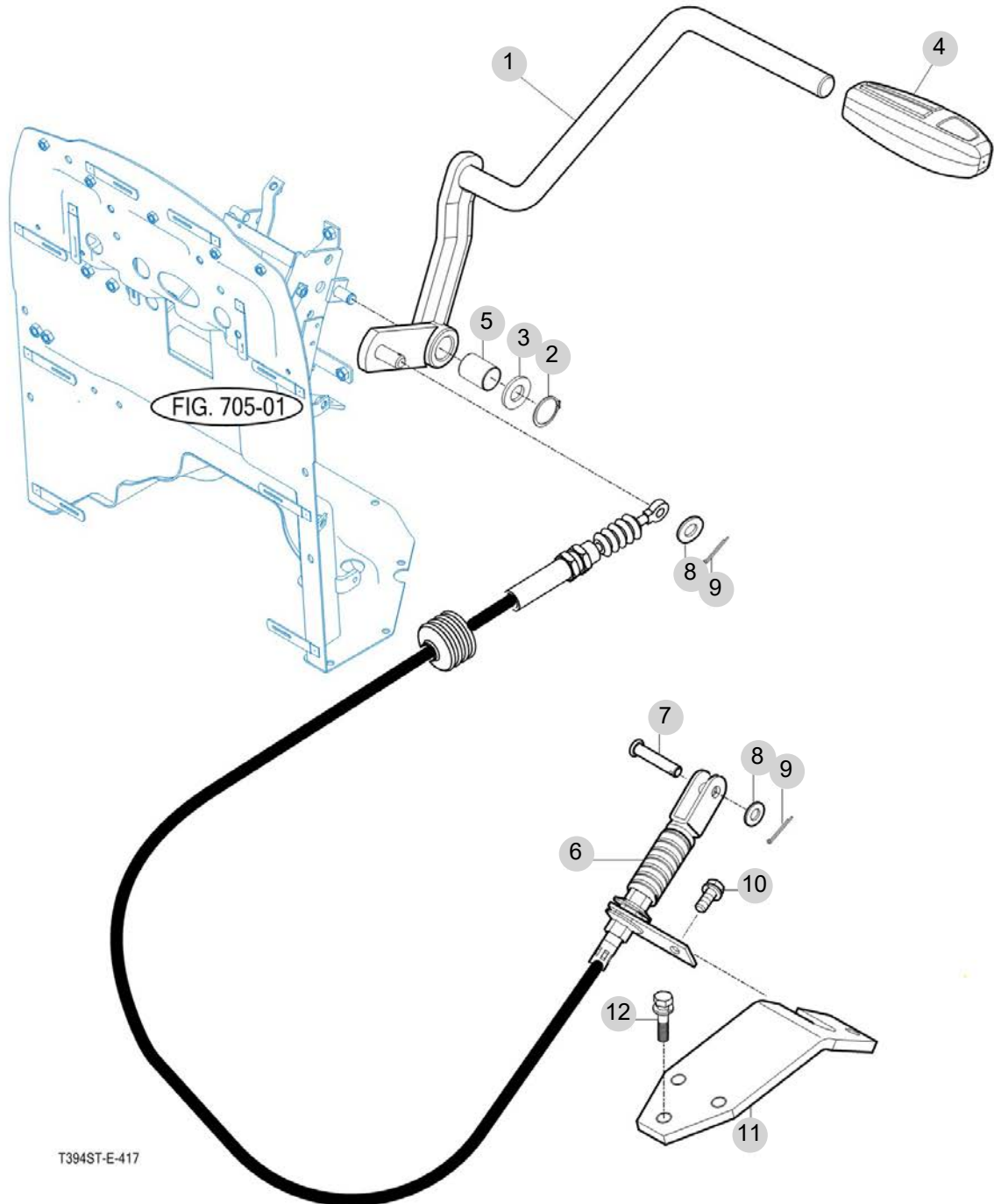
FIG 417

T355NCEU

REVERSE CHANGE LEVER

년/월
Year/Month

2022-12



NOTE

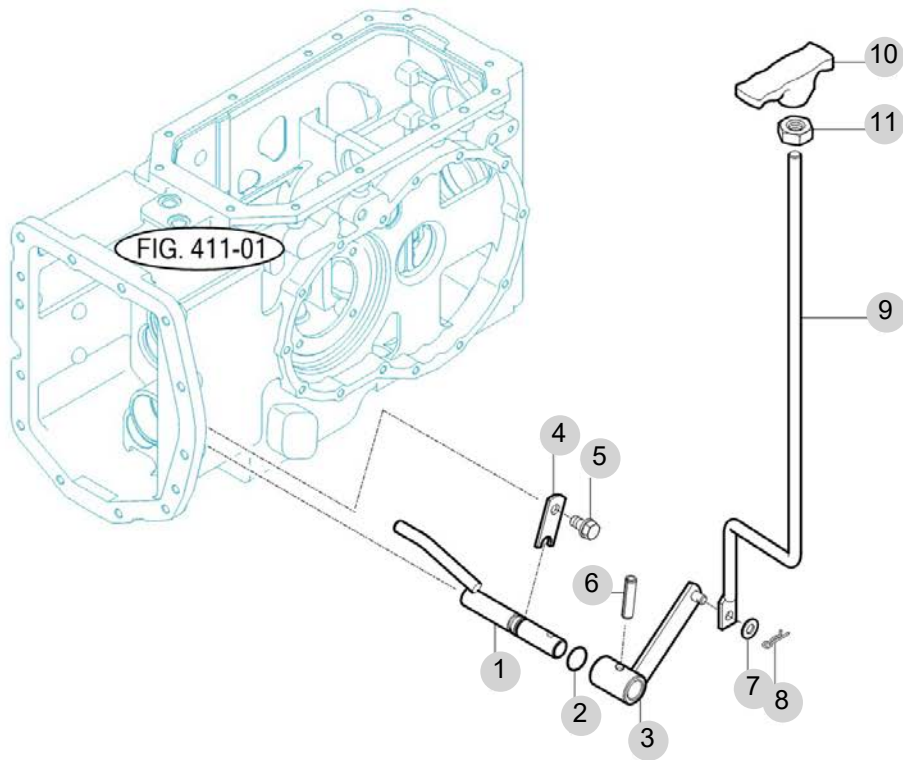
FIG 418

4WD CHANGE LEVER

년/월
Year/Month

T355NCEU

2022-12



T303/353NC-E-418

NOTE

FIG 418		4WD CHANGE LEVER						년/월 Year/Month	
								2022-12	
KEY NO	PART NO	DESCRIPTION	SPEC	QTY	REPAIR	EFFECTIVE DATE	REMARKS		
418	1	16703122102	시프터암(4WD)COMP			1			
418	1	16703122103	시프터암(4WD)COMP			1			
418	2	V7201024012	O링(P)	P12		1	B		
418	3	16702622102	암COMP(4WD)			1			
418	3	16702622103	암COMP(4WD)			1			
418	4	16702230371	플레이트			1			
418	5	V2173608016	소형육각볼트보통(S)	M8X16		1			
418	6	V5801406025	스프링핀	6X25		1			
418	7	V4111600080	평와셔	M8		1			
418	8	V5601600008	스냅핀	8		1			
418	9	14942632110GB	4WD 레버			1			
418	10	16702190060	그립(4WD)			1			
418	11	V3342600100	소형육각너트가는2종	M10		1			
NOTE									

5. 프런트 액슬 PART NO. T5

FIG 501 FRONT AXLE BRACKET	118
FIG 502 FRONT DIFF. GEARS & SHAFT	120
FIG 503 FRONT AXLE HOUSING	122
FIG 504 FRONT GEAR CASE (1)	124
FIG 505 FRONT GEAR CASE (2)	126

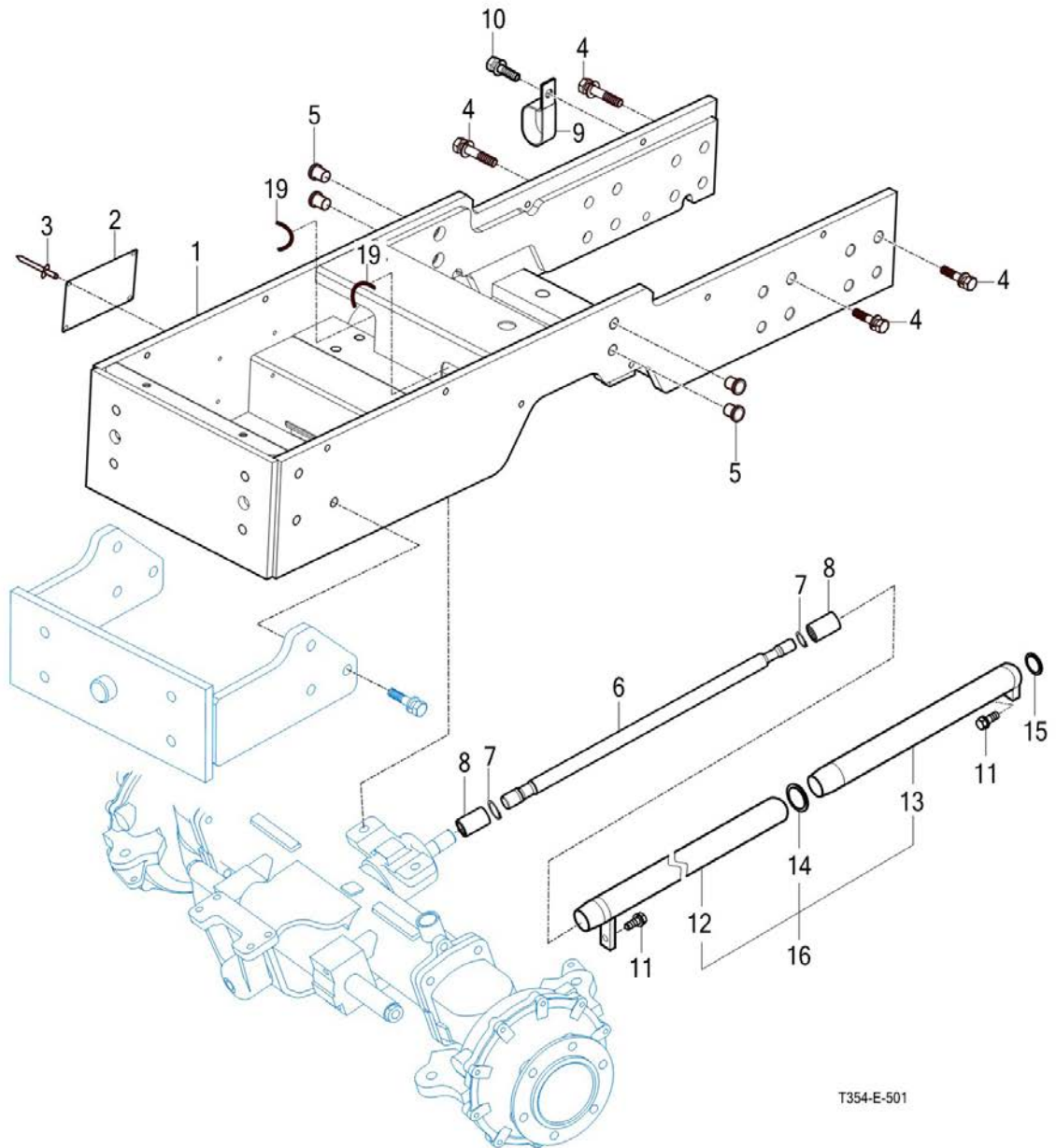
FIG 501

FRONT AXLE BRACKET

년/월
Year/Month

2022-12

T355NCEU



T354-E-501

NOTE

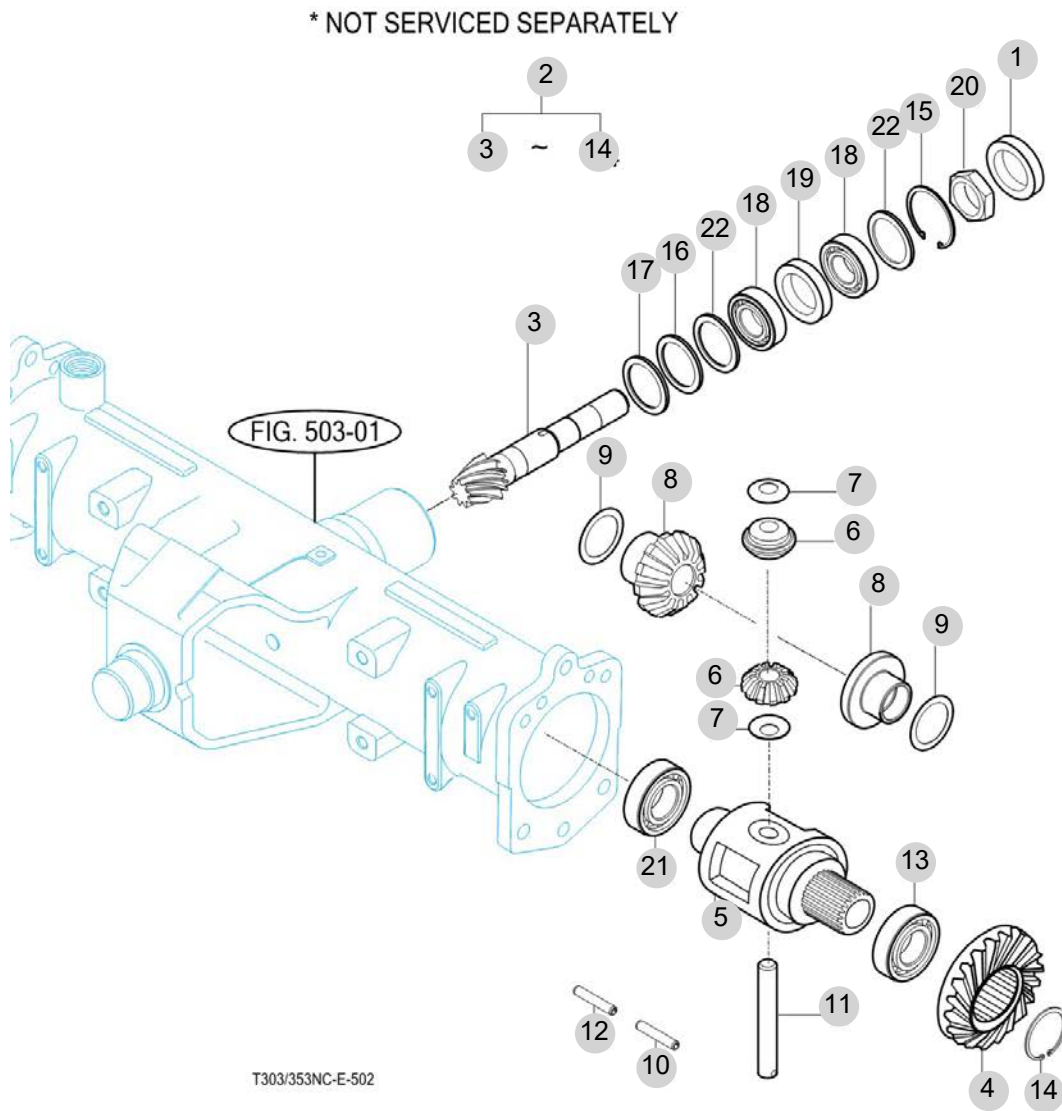
FIG 502

T355NCEU

FRONT DIFF. GEARS & SHAFT

년/월
Year/Month

2022-12



NOTE

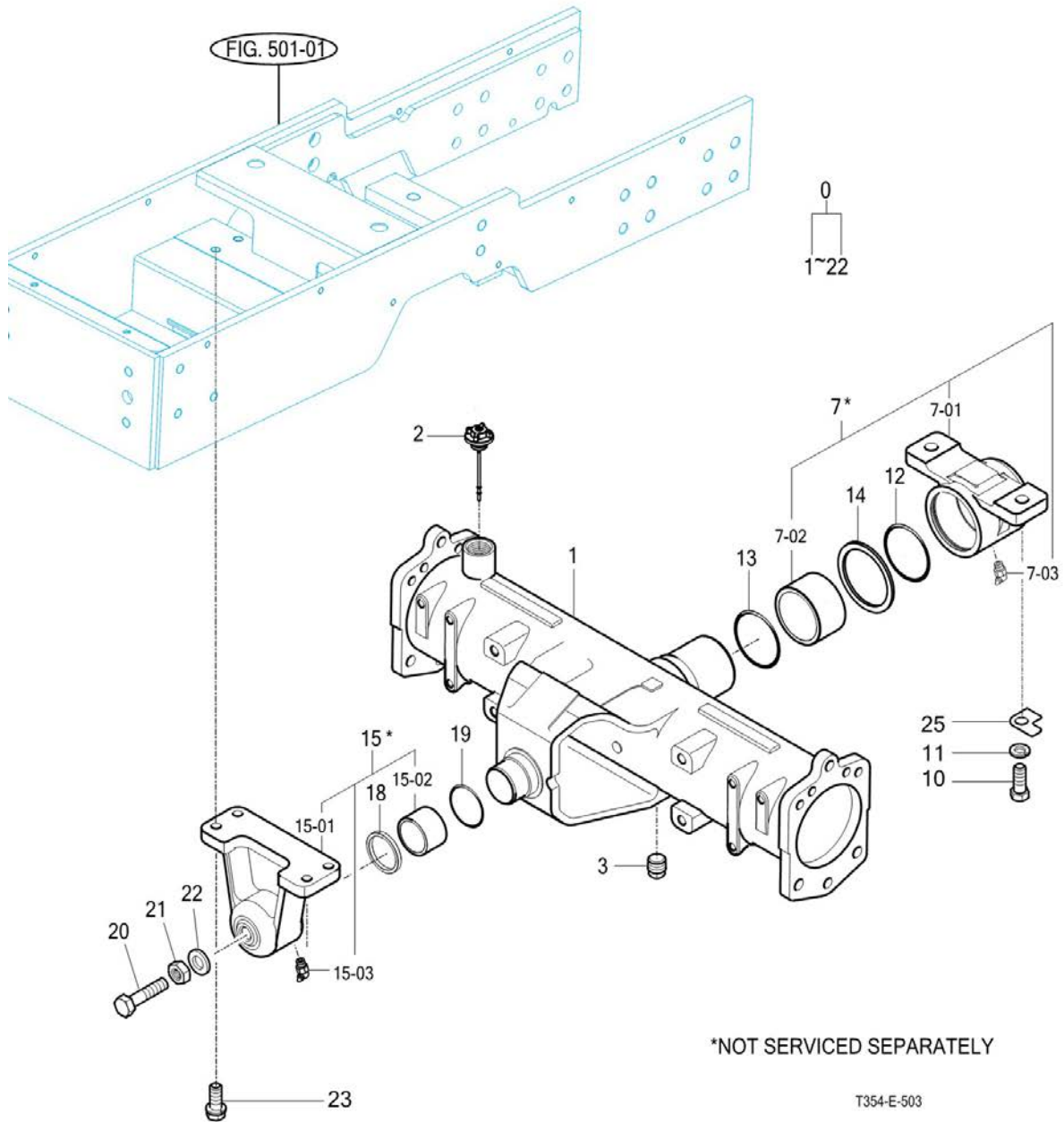
FIG 503

T355NCEU

FRONT AXLE HOUSING

년/월
Year/Month

2022-12



NOTE

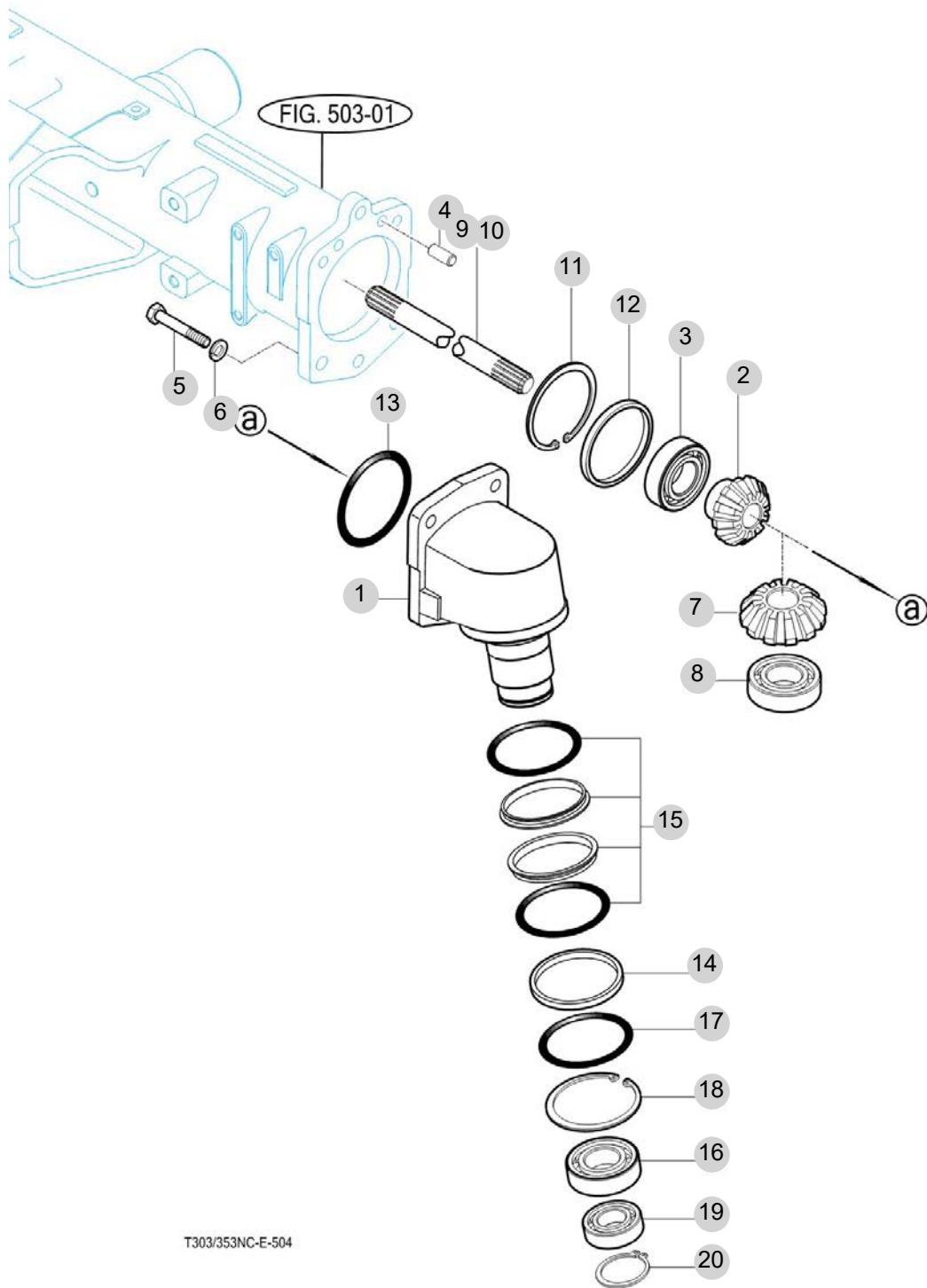
FIG 504

T355NCEU

FRONT GEAR CASE (1)

년/월
Year/Month

2022-12



NOTE

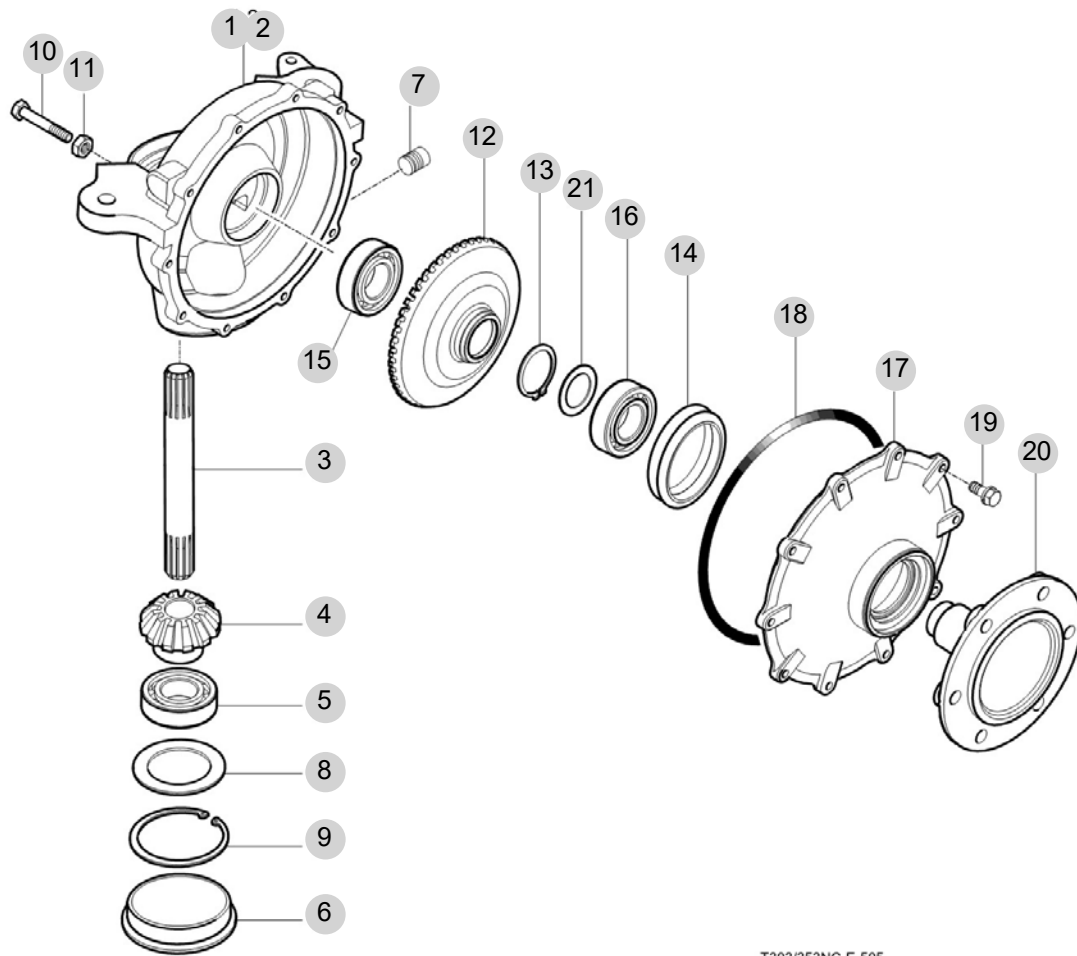
FIG 505

T355NCEU

FRONT GEAR CASE (2)

년/월
Year/Month

2022-12



T303/353NC-E-505

NOTE

6. 유압/3점링크 PART NO. T6

FIG 601 GEAR PUMP	129
FIG 602 CYLINDER CASE	131
FIG 603 LIFT ARM	133
FIG 604 CYLINDER	135
FIG 605 POSITION LINK (1)	137
FIG 606 POSITION LINK (2)	139
FIG 607 CONTROL VALVE	141
FIG 608 POSITION LEVER	143
FIG 609 HYDRAULIC PIPE (1)	145
FIG 610 HYDRAULIC PIPE (2)	147
FIG 611 EXTERIOR HYD. VALVE	149
FIG 612 3-POINT LINK	151
FIG 613 HITCH & COVER	154

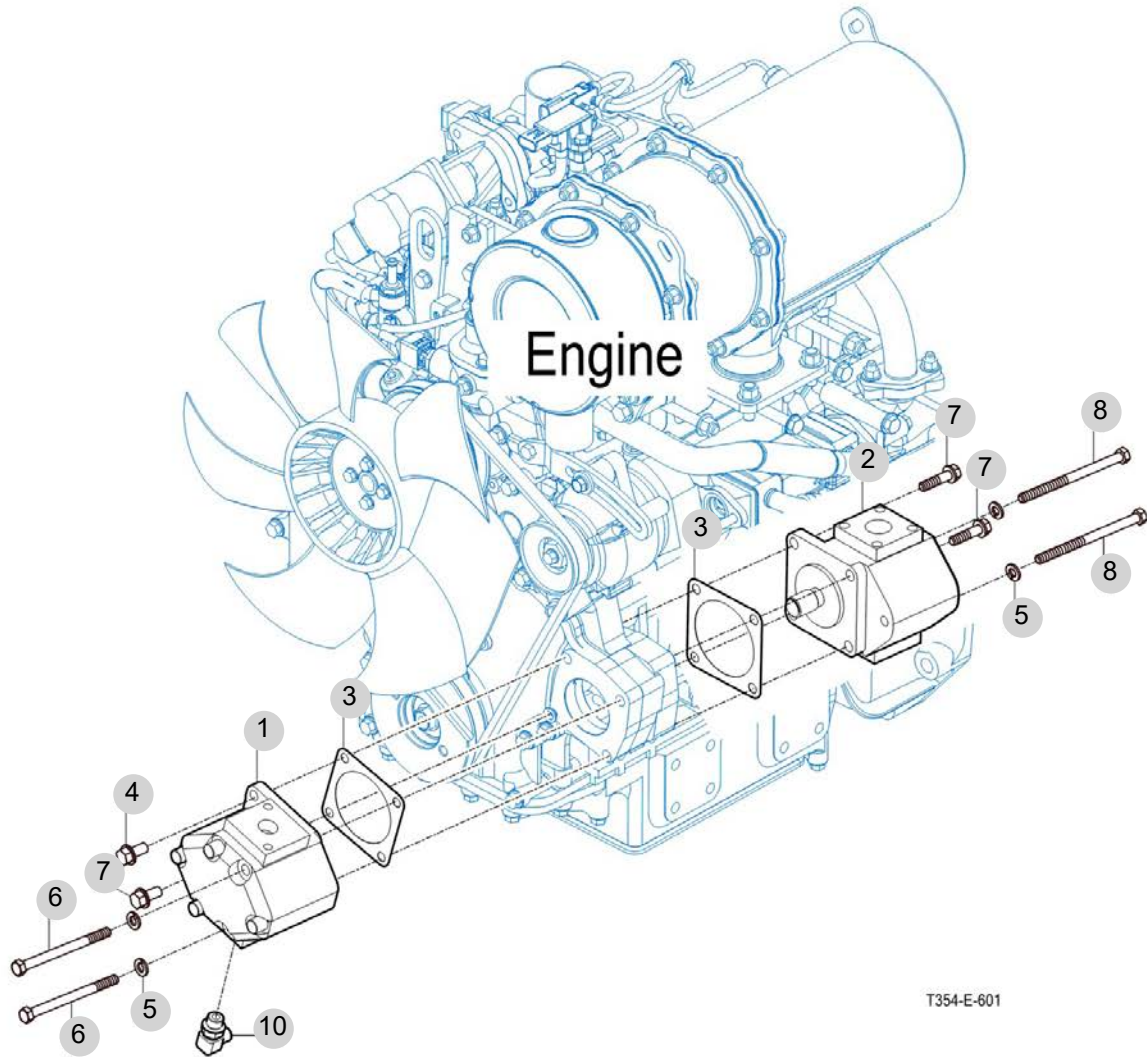
FIG 601

T355NCEU

GEAR PUMP

년/월
Year/Month

2022-12



NOTE

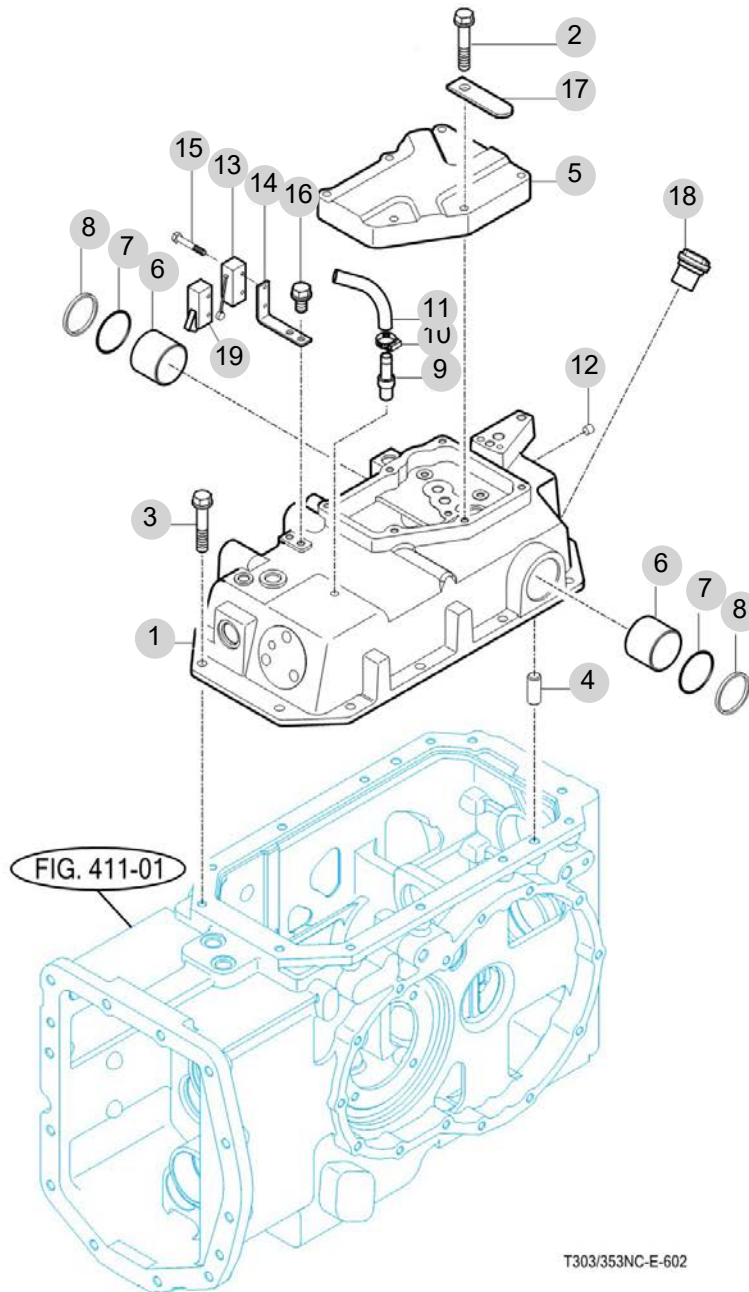
FIG 602

T355NCEU

CYLINDER CASE

년/월
Year/Month

2022-12



NOTE

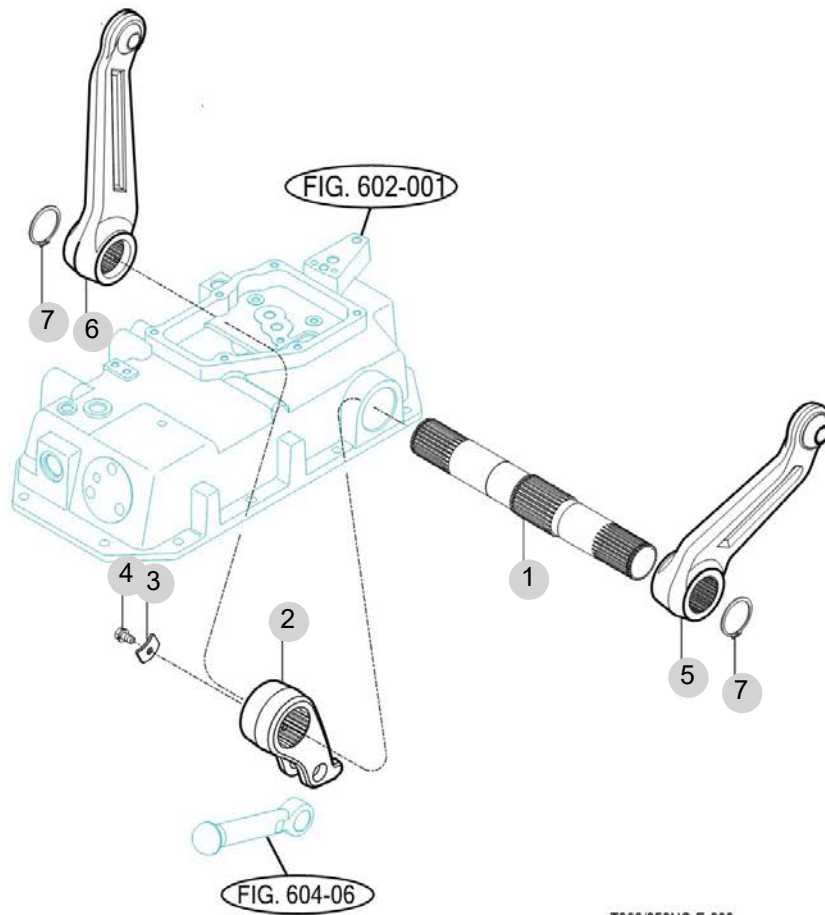
FIG 603

T355NCEU

LIFT ARM

년/월
Year/Month

2022-12



T303/353NC-E-603

NOTE

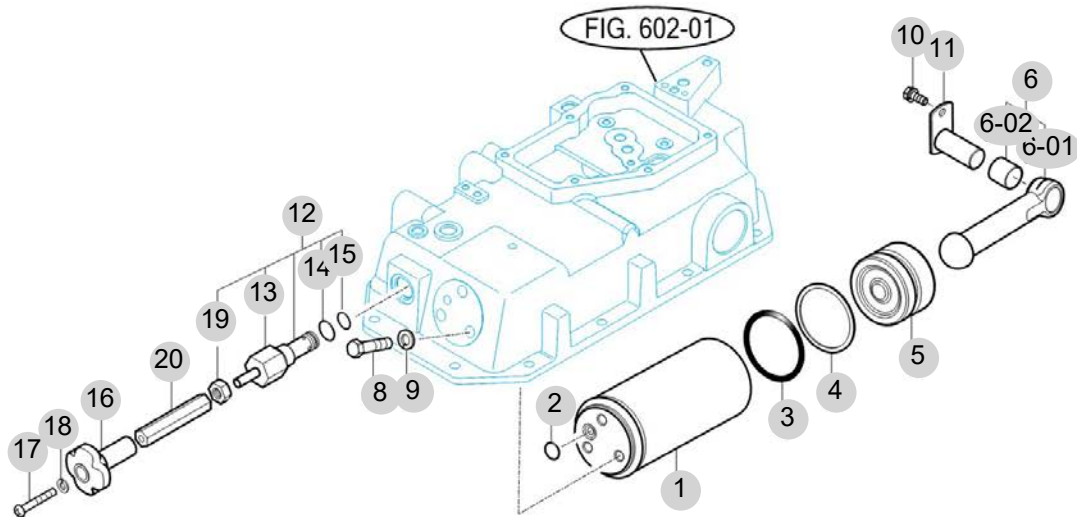
FIG 604

T355NCEU

CYLINDER

년/월
Year/Month

2022-12



T303/353NC-E-604

NOTE

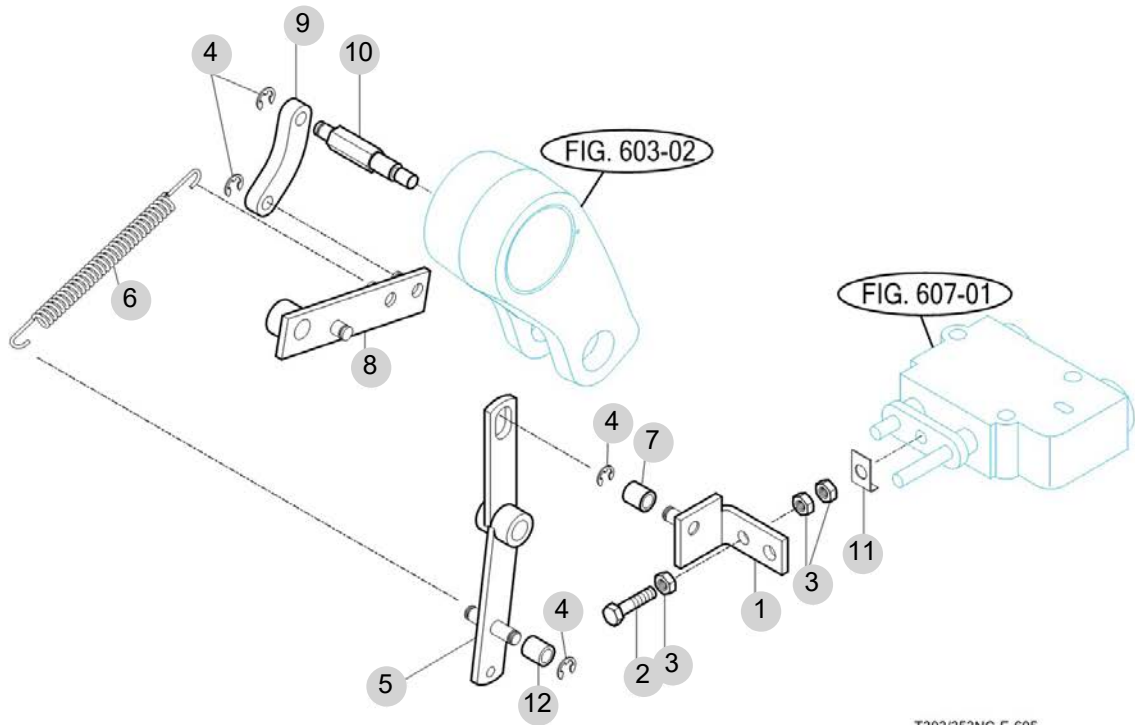
FIG 605

T355NCEU

POSITION LINK (1)

년/월
Year/Month

2022-12



T303/353NC-E-605

NOTE

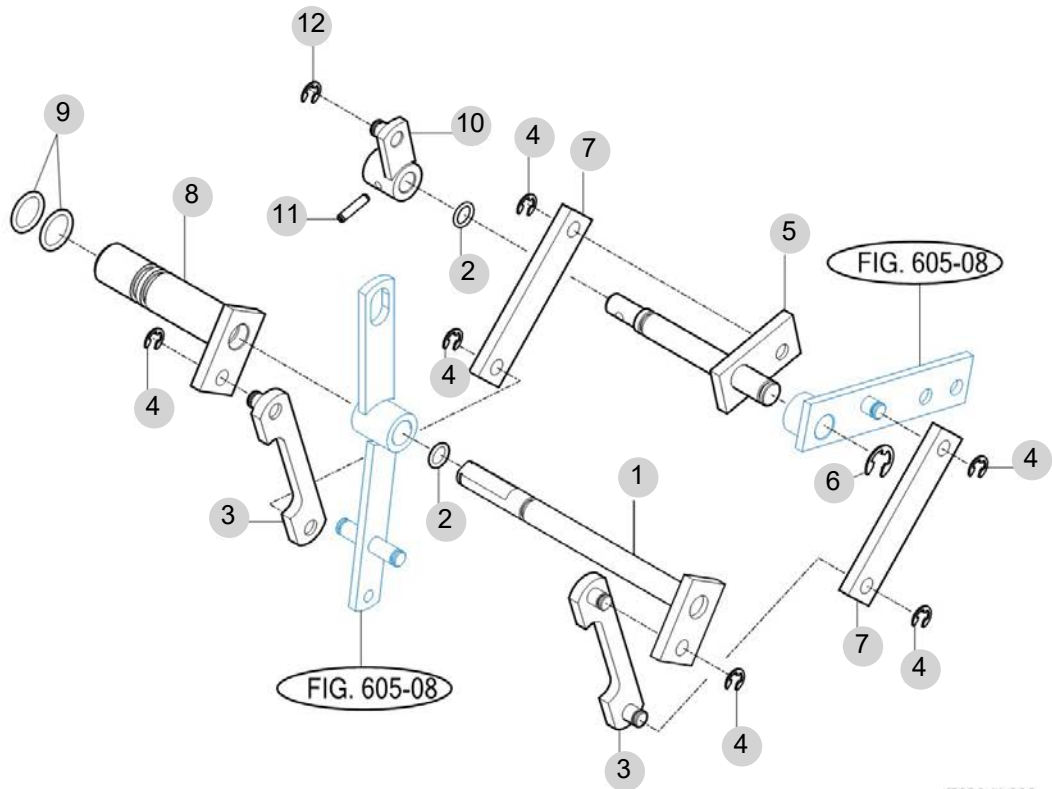
FIG 606

T355NCEU

POSITION LINK (2)

년/월
Year/Month

2022-12



T393-K-606

NOTE

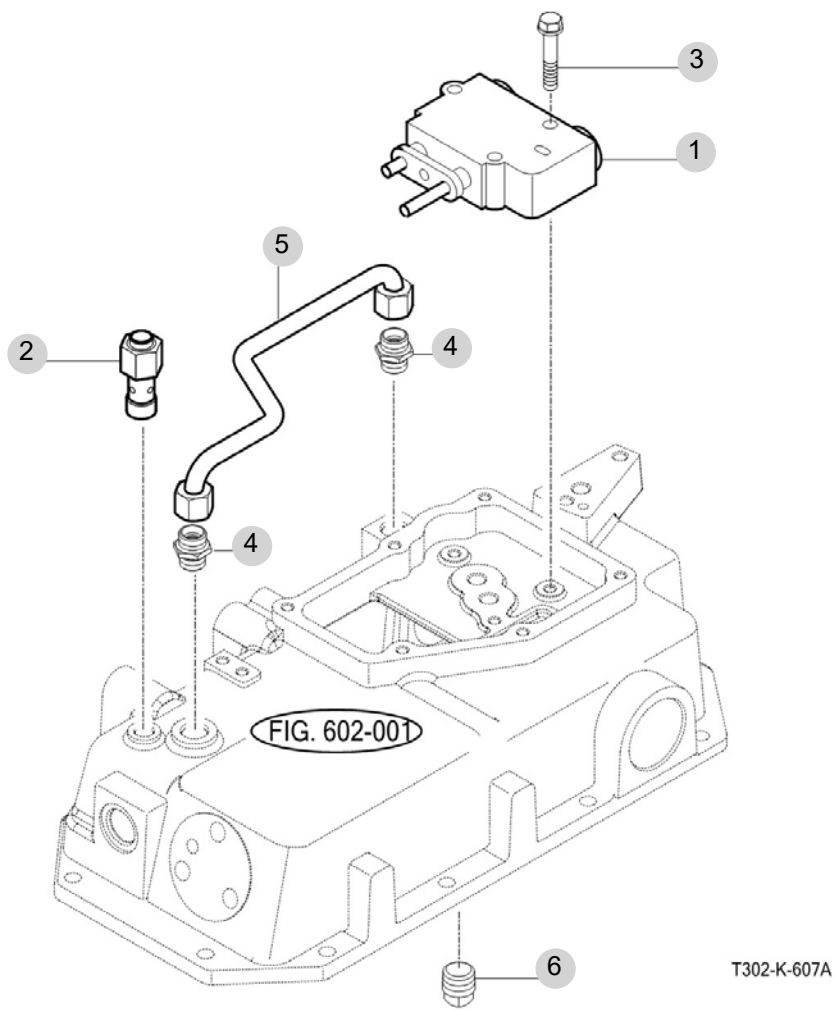
FIG 607

T355NCEU

CONTROL VALVE

년/월
Year/Month

2022-12



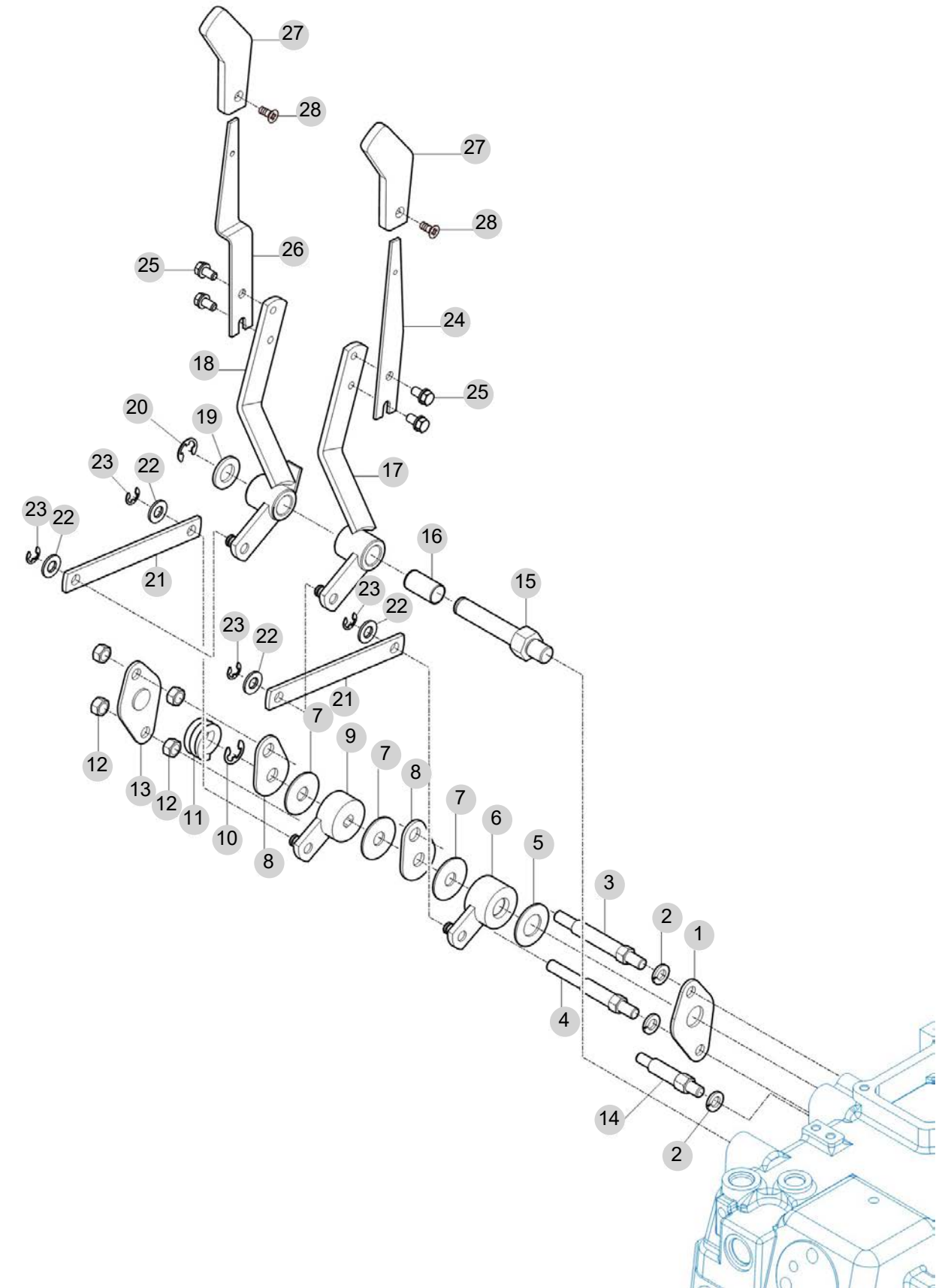
NOTE

FIG 608

POSITION LEVER

년/월
Year/Month

2022-12



NOTE

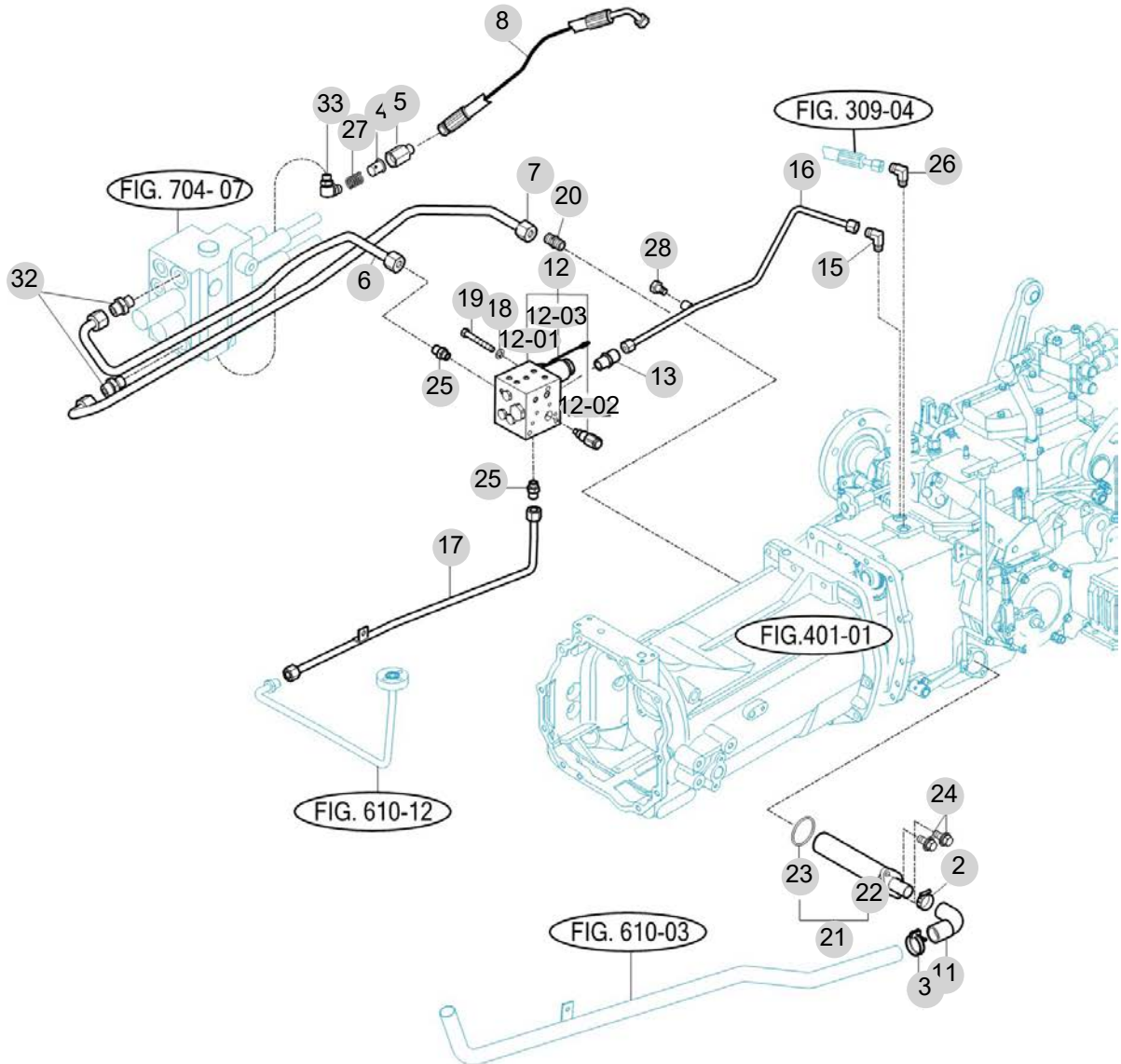
FIG 609

T355NCEU

HYDRAULIC PIPE (1)

년/월
Year/Month

2022-12



T354-E-609

NOTE

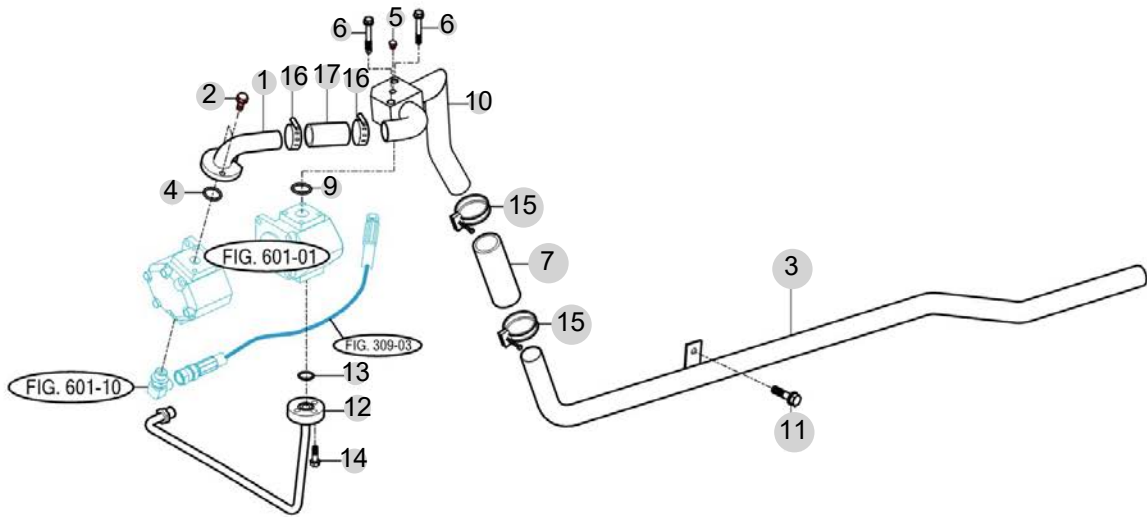
FIG 610

T355NCEU

HYDRAULIC PIPE (2)

년/월
Year/Month

2022-12



T394NC-E-610

NOTE

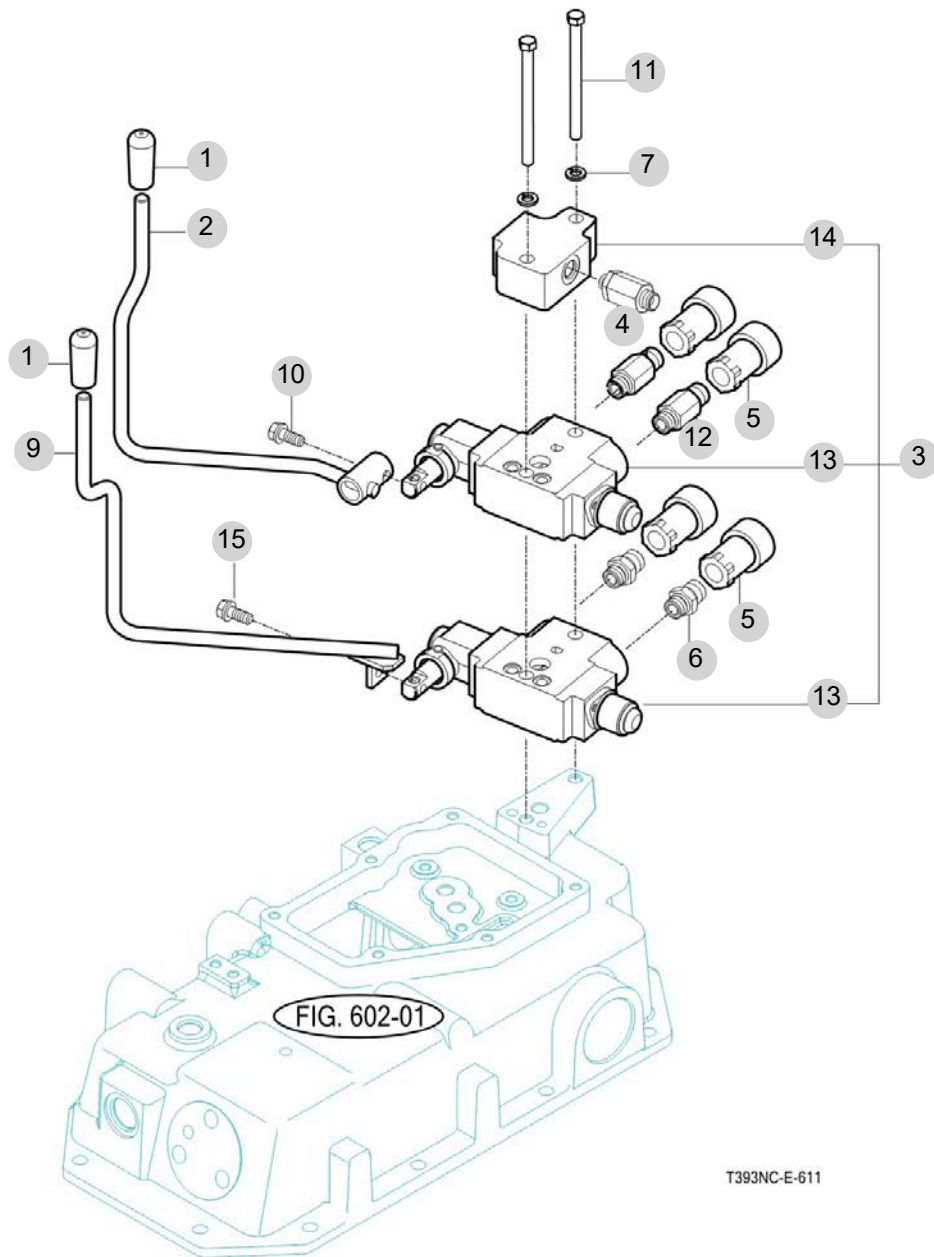
FIG 611

T355NCEU

EXTERIOR HYD. VALVE

년/월
Year/Month

2022-12



T393NC-E-611

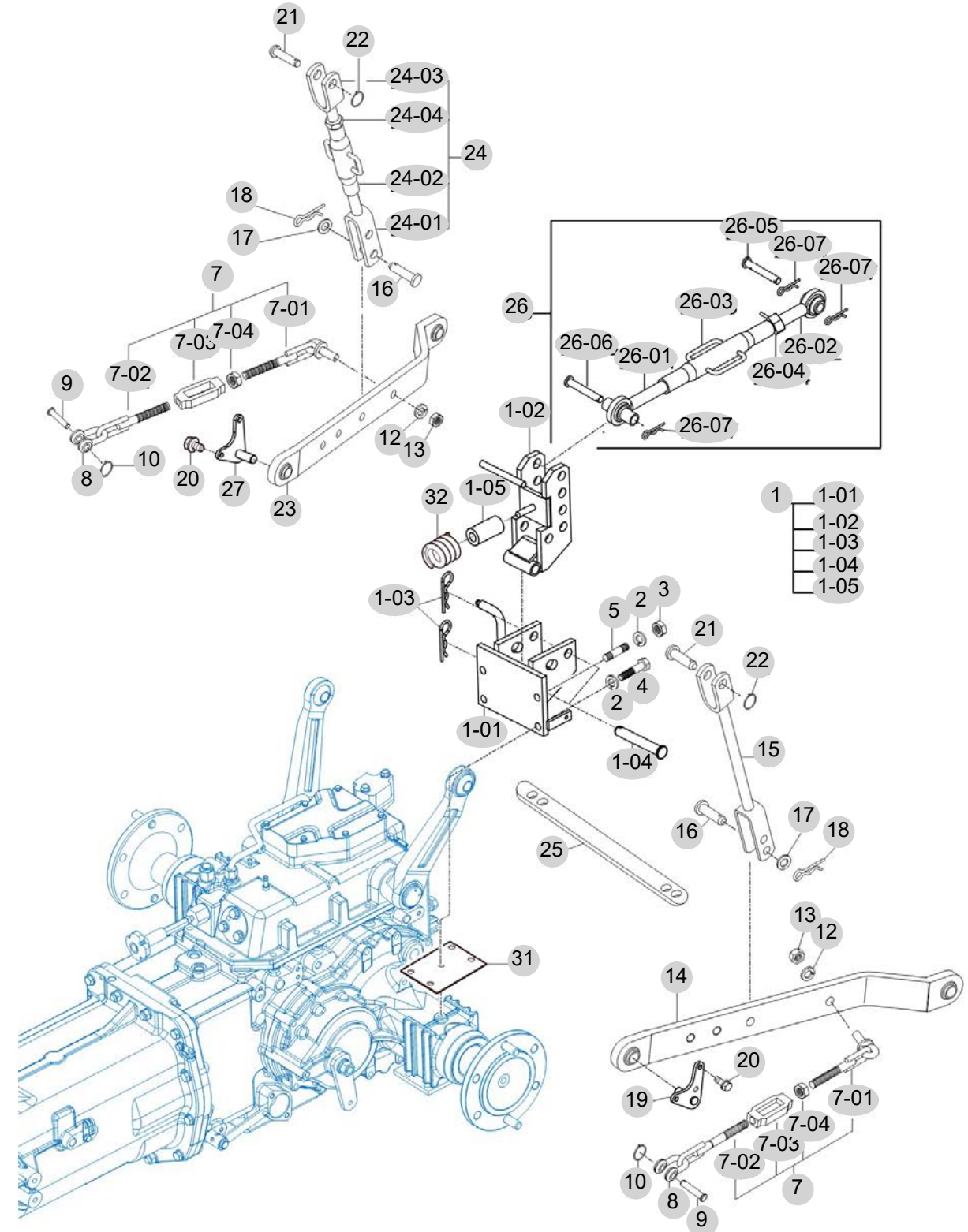
NOTE

FIG 612

3-POINT LINK

년/월
Year/Month

2022-12



T393NC-K-612

NOTE

FIG 612		3-POINT LINK					년/월	
							Year/Month	
T355NCEU		2022-12						
KEY NO	PART NO	DESCRIPTION	SPEC	QTY	REPAIR	EFFECTIVE DATE	REMARKS	
612	1	13015205000	브래킷 ASSY		1			
612	1-01	13015222000GB	브래킷 COMP		1			
612	1-02	13015222100GB	링크 COMP		1			
612	1-03	14445140051	헤어핀(19)		2			
612	1-04	15645250010	핀(19X122)		2			
612	1-05	17995220990	가이드 고무		1			
612	2	V4011600140	스프링와셔	M14	4			
612	3	V3043600140	소형육각너트보통2종	M14	2			
612	4	V2014614035	소형육각볼트(보통)		2			
612	5	V2514414030	스터드볼트2종	M14X30	2			
612	7	16705142501	체인(체크) 조합		2			
612	7-01	16705244100	체인(체크,LH)COMP		2			
612	7-02	16705142800	체인(체크,RH)COMP		2			
612	7-03	16705142510M	터언버클		2			
612	7-04	V3043600140	소형육각너트보통2종	M14	2			
612	8	16705142520	체크체인 샤클		2			
612	9	79636110030	핀(12X48)		2			
612	10	16735240060	스프링(45)	3X20	2			
612	12	V4011600160	스프링와셔	M16	2			
612	13	V3013600160	육각너트보통2종	M16	2			
612	14	16705142001GB	로어링크(LH)COMP		1			
612	15	16705142400GB	리프트로드(LH) COMP		1			
612	16	79636130050	핀(16X60)		2			
612	17	V4111600160	평와셔	M16	2			
612	18	13059310030	헤어핀(D=2.3)		2			
612	19	12385142200	핀(LH) COMP		2			
612	20	V2173612030	소형육각볼트보통(S)	M12X30	4			
612	21	16705020050	핀(19X69)		2			
612	22	16735240060	스프링(45)		2			
612	23	16705142101GB	로어링크(RH)COMP		1			
612	24	16705145000GB	리프트로드(RH)ASSY		1			
612	24-01	16705145200	포크(하)COMP		1			
612	24-02	16705145100	슬리브 COMP		1			
612	24-03	16705145300	포크(상)COMP		1			
612	24-04	V3023600220	육각너트보통3종		1			
612	25	15605250030	밴드(470)		1			
612	26	16505245501GB	톱링크ASSY		1			
612	26	16505245502GB	톱링크 ASSY		1			
612	26-01	16505245510	톱링크COMP(RH)		1			
612	26-02	16505245520	톱링크COMP(LH)		1			
612	26-03	14555140251	턴버클 조합(톱링크)		1			
612	26-04	16505245530	육각너트		1			
612	26-05	15645220020	핀(19X95)		1			
612	26-06	15645220011	핀(19X86)		1			
612	26-07	14445140051	헤어핀(19)		2			
NOTE								

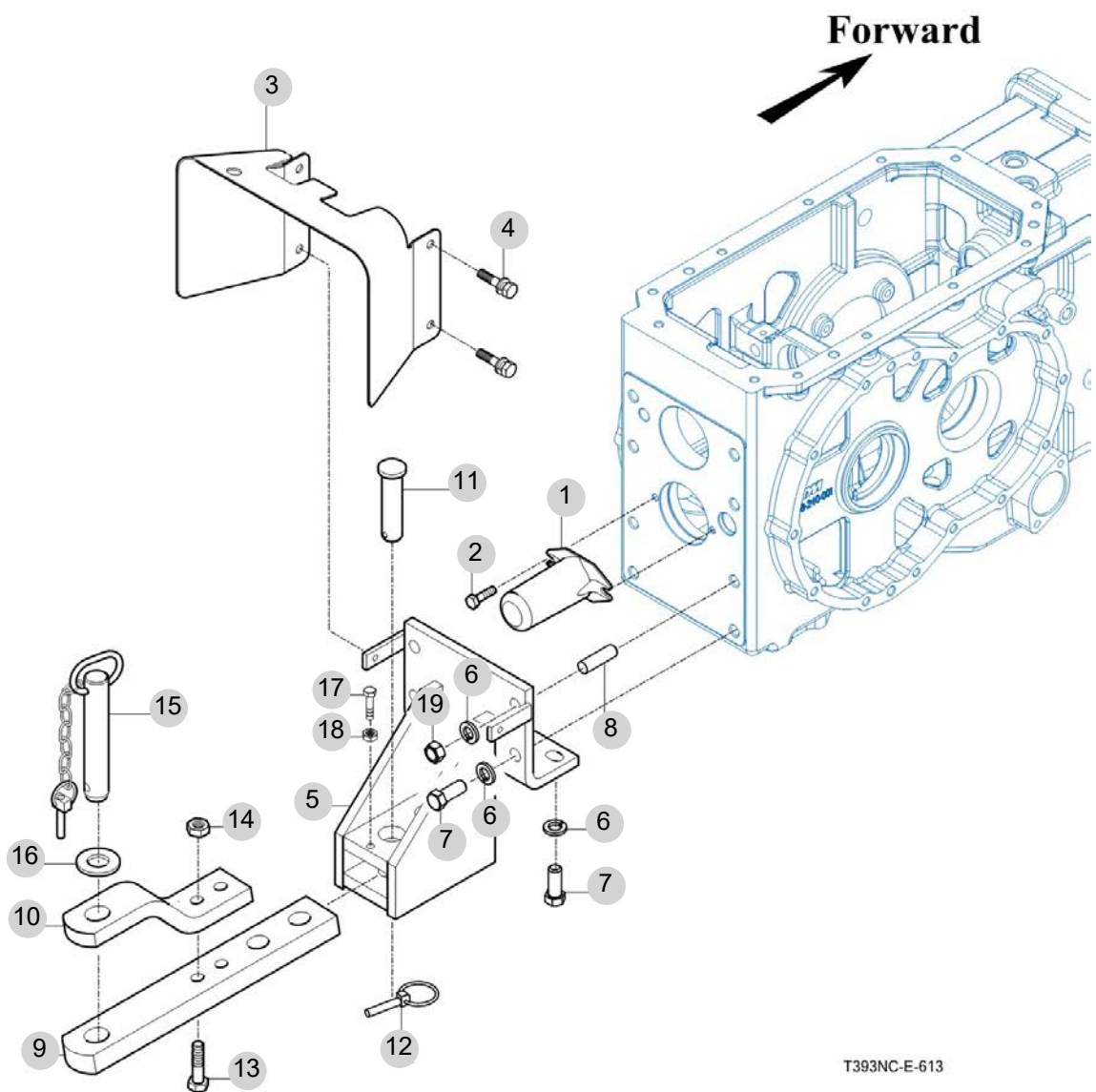
FIG 613

HITCH & COVER

년/월
Year/Month

2022-12

T355NCEU



NOTE

7. 시트메탈/캐빈 PART NO. T7

FIG 701 HOOD	157
FIG 702 BONNET	159
FIG 704 FENDER & REAR FRAME	162
FIG 705 DASH PANEL	165
FIG 706 FLOOR PANEL	167
FIG 707 SEAT	169
FIG 708 FRONT & REAR MOUNTING	171
FIG 709 ROPS	173

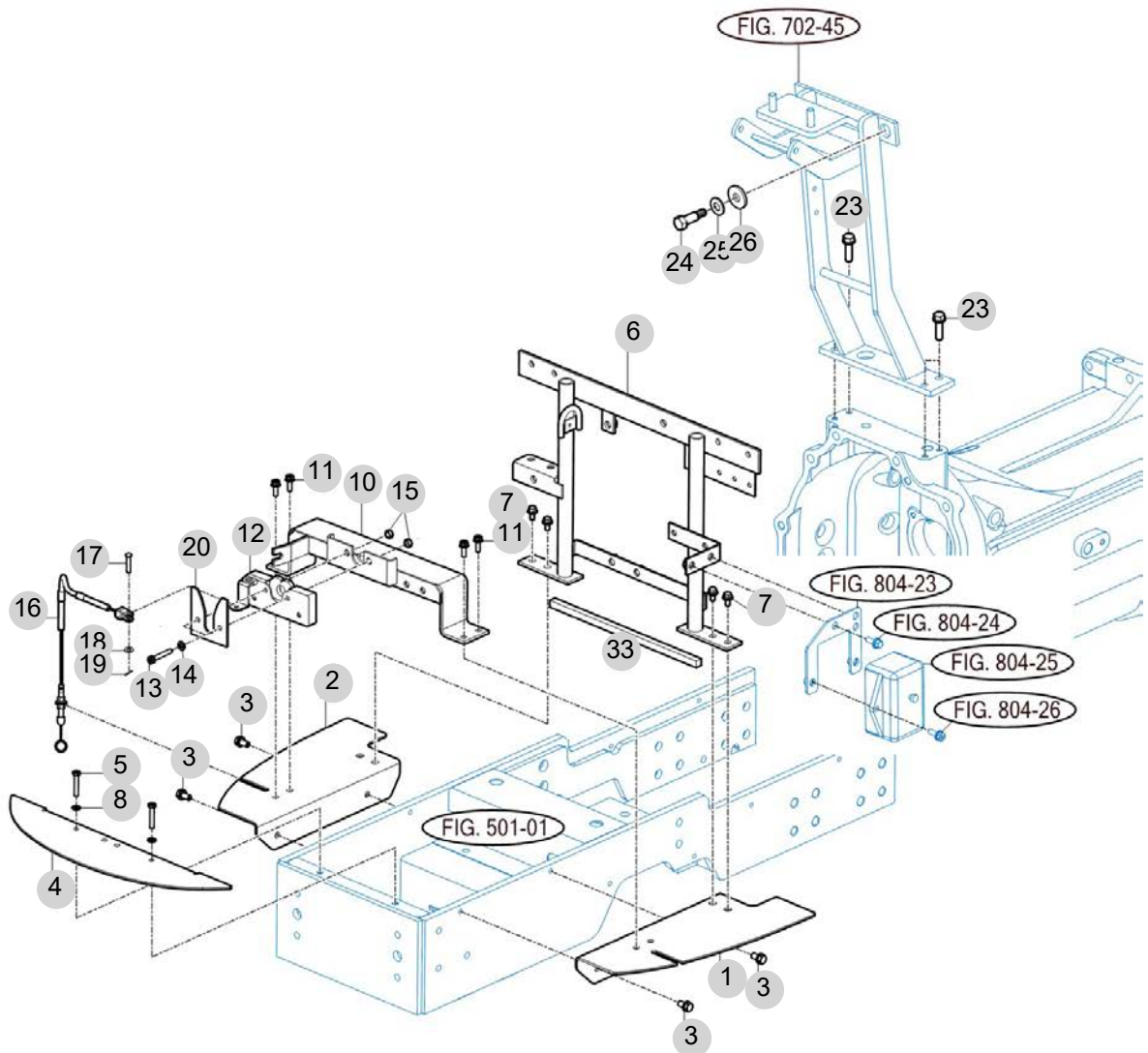
FIG 701

T355NCEU

HOOD

년/월
Year/Month

2022-12



NOTE

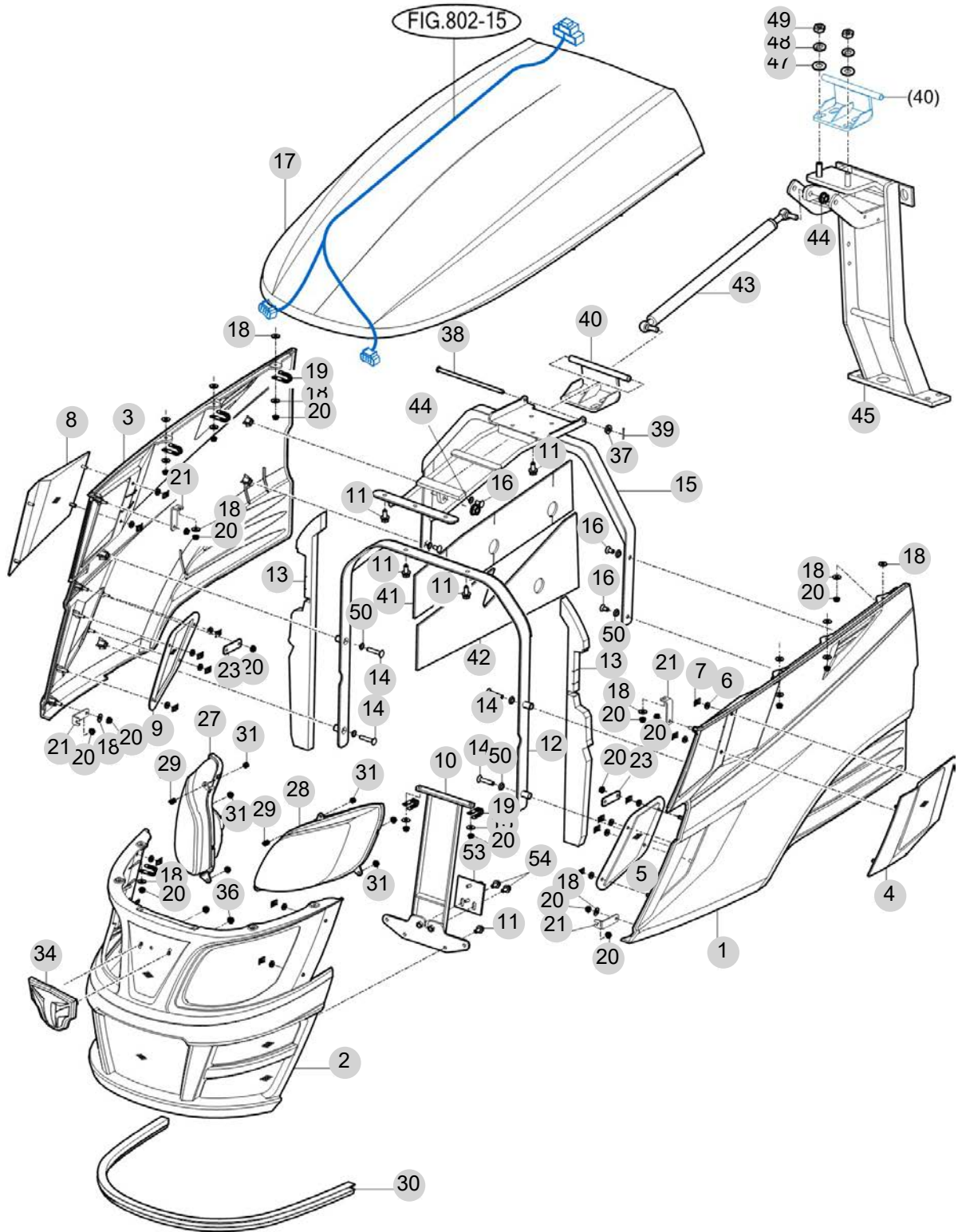
FIG 702

T355NCEU

BONNET

년/월
Year/Month

2022-12



NOTE

FIG 702		BONNET					년/월 Year/Month		
							2022-12		
T355NCEU		KEY NO	PART NO	DESCRIPTION	SPEC	QTY	REPAIR	EFFECTIVE DATE	REMARKS
702	1	17406203301SR	사이드 커버 COMP , 좌			1			
702	1	17406203302SR	사이드 커버 COMP , 좌			1			
702	1	17406203303SR	사이드 커버 COMP , 좌			1			
702	2	17406203200GB	그릴 COMP			1			
702	3	17406203401SR	사이드 커버 COMP , 우			1			
702	3	17406203402SR	사이드 커버 COMP , 우			1			
702	3	17406203403SR	사이드 커버 COMP , 우			1			
702	4	17406203500GB	네트 , 상/좌			1			
702	5	17406203600GB	네트 , 하/좌			1			
702	6	14446010150	네트와샤(6X14X3)			16			
702	7	V3501600060	스프링 너트			16			
702	8	17406203700GB	네트 , 상/우			1			
702	9	17406203800GB	네트 , 하/우			1			
702	10	18366202500GB	핀 COMP , 후드락			1			
702	10	17406202500GB	핀 COMP , 후드락			1			
702	11	V2183608020	소형육각볼트보통(SP)			13			
702	12	17406202300GB	후드 프레임 COMP , 전			1			
702	13	17406202430	인슐레이터 , 사이드 전			2			
702	14	V1122608040	십자홈접시작은나사			4			
702	15	17406202700GB	후드 프레임 COMP , 후			1			
702	15	10536202700GB	후드 프레임 COMP , 후			1			
702	15	10536202701GB	후드 프레임 COMP , 후			1			
702	15	10536202702GB	후드 프레임 COMP , 후			1			
702	16	V1122608016	십자홈접시작은나사			4			
702	17	17406203101SR	후드 COMP			1			
702	17	17406203102SR	후드 COMP			1			
702	17	17406203103SR	후드 COMP			1			
702	18	35605033020	와이어인출용와셔			22			
702	19	37371720090	메인하니스 클램프(하)			6			
702	19	13764020030	케이블타이(140)			6			
702	19	36571720090	메인 하니스 클램프			6			
702	20	V3802600060	플랜지볼이육각너트	M6		24			
702	21	17406203010GB	플레이트 , 상/사이드			4			
702	21	17406203011GB	플레이트 , 상/사이드			4			
702	21	17406203010GB	플레이트 , 상/사이드			4			
702	23	17406203020GB	플레이트 , 중/사이드			2			
702	27	17406525001	헤드램프 ASSY , 우			1			
702	27	17406525002	헤드램프 ASSY , 우			1			
702	28	17406524001	헤드램프 ASSY , 좌			1			
702	28	17406524002	헤드램프 ASSY , 좌			1			
702	29	36108010080	중자출구스프링(HC016)			2			
702	30	17406203900	인슐레이터 , 후드			1			
702	31	19027210060	나일론너트(M6)			6			
702	34	19959010011	엠블럼			1			
702	34	17406212000	엠블럼 ASSY , V5			1			
NOTE									

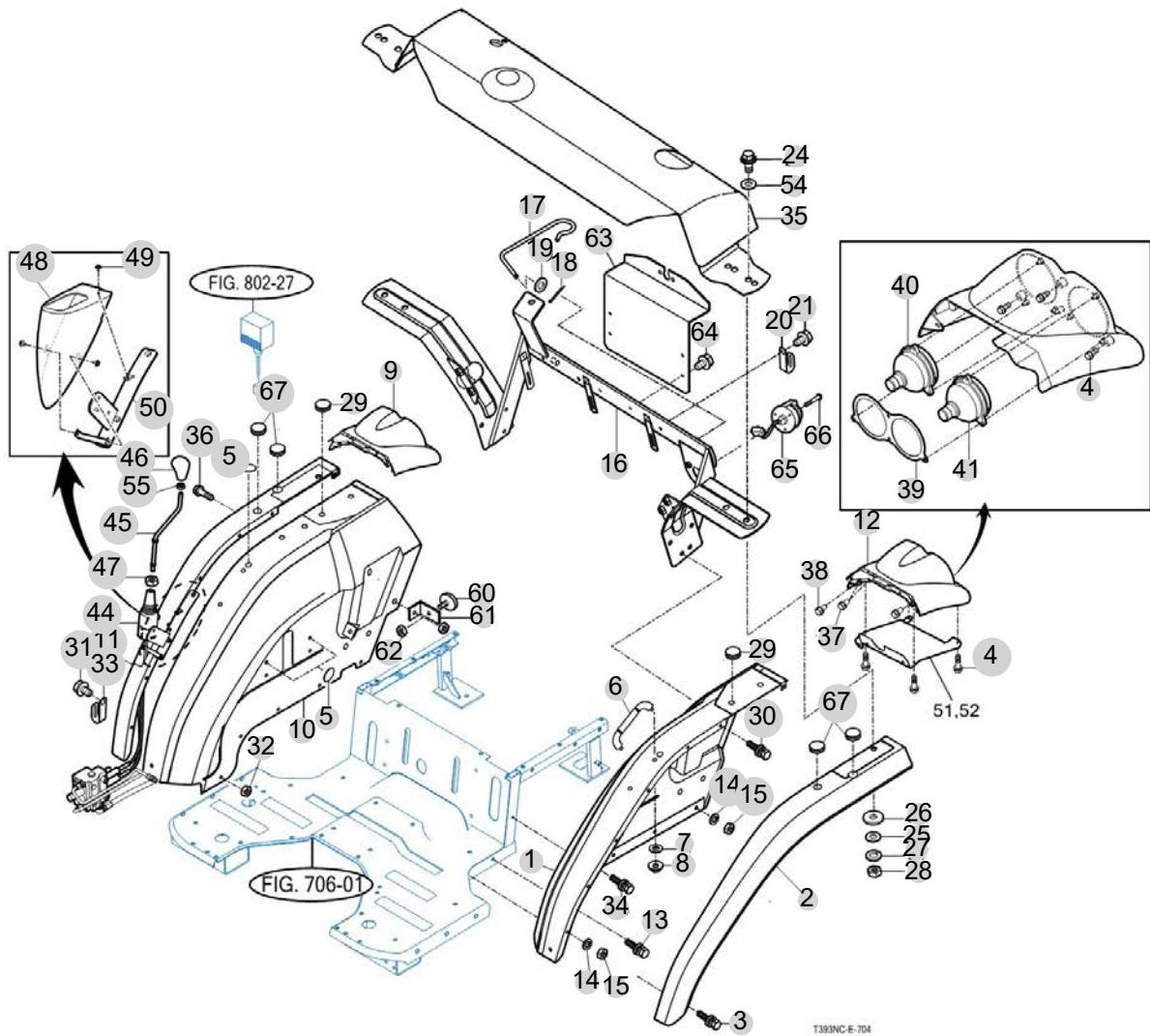
FIG 704

T355NCEU

FENDER & REAR FRAME

년/월
Year/Month

2022-12



NOTE

FIG 704		FENDER & REAR FRAME					년/월 Year/Month		
							2022-12		
T355NCEU		KEY NO	PART NO	DESCRIPTION	SPEC	QTY	REPAIR	EFFECTIVE DATE	REMARKS
704	1	14726063502SR	휀더(LH)COMP			1			
704	2	12656060040SR	훗받이 휀더 (LH)			1			
704	2	12656060041SR	훗받이 휀더 (LH)			1			
704	3	V2193606016	육각볼트(SPL)	M6X16		12			
704	4	V2123606012	육각볼트(SP)	M6X12		14			
704	5	16606070031	캡(9)			10			
704	6	14726071101	손잡이 COMP			1			
704	7	35602010150	결속축와셔	T=2.3		4			
704	8	V3802600080	플랜지볼이육각너트			4			
704	9	13016060030	리어 램프 커버(우)			1			
704	10	14726063602SR	휀더(RH)COMP(PNT)			1			
704	11	10526060020SR	훗받이 휀더 (RH)			1			
704	11	10526060021SR	훗받이 휀더 (RH)			1			
704	12	13016060020	리어램프커버(좌)			1			
704	13	V2183608020	소형육각볼트보통(SP)	M8X20		8			
704	14	V4011600080	스프링와셔	M8		4			
704	15	V3042600080	소형육각너트보통2종	M8		4			
704	16	16707035403SR	리어프레임(연료탱크)COMP			1			
704	17	14885251100	후크(톱링크)			1			
704	18	V4111600060	평와셔	M6		1			
704	19	V5001920015	분할핀	2X15		1			
704	20	14256210040	하니스클램프(9)			1			
704	20	14256210040	하니스클램프(9)			1			
704	21	V2123606012	육각볼트(SP)	M6X12		1			
704	25	V4111600120	평와셔	M12		4			
704	26	36217020030	폴리 와셔			4			
704	27	V4011600120	스프링와셔	M12		4			
704	28	V3043600120	소형육각너트보통2종	M12		4			
704	29	14326510210	고무캡(20)			2			
704	30	V2183608020	소형육각볼트보통(SP)	M8X20		4			
704	31	V2183608020	소형육각볼트보통(SP)	M8X20		1			
704	32	V3042600080	소형육각너트보통2종	M8		1			
704	33	14256210040	하니스클램프(9)			1			
704	33	14256210040	하니스클램프(9)			1			
704	34	V2183608035	소형육각볼트보통(SP)	M8X35		2	C		
704	35	14777036302SR	커버 COMP (연료탱크)			1			
704	35	14777036302DR	커버 COMP(연료탱크)(PNT)			1			
704	35	14777036302SR	커버 COMP (연료탱크)			1			
704	35	14777036303SR	커버 COMP , 연료탱크			1			
704	35	14777036303SR	커버 COMP , 연료탱크			1			
704	36	V2183610020	소형육각볼트보통(SP)	M10X20		2			
704	37	V2323606016	십자훗육각볼트(SP)			6			
704	38	V2193606020	육각볼트(SPL)			2			
704	39	13016061300	리어램프 고정플레이트			2			
704	40	13367023400	스톱램프 ASSY			2			
NOTE									

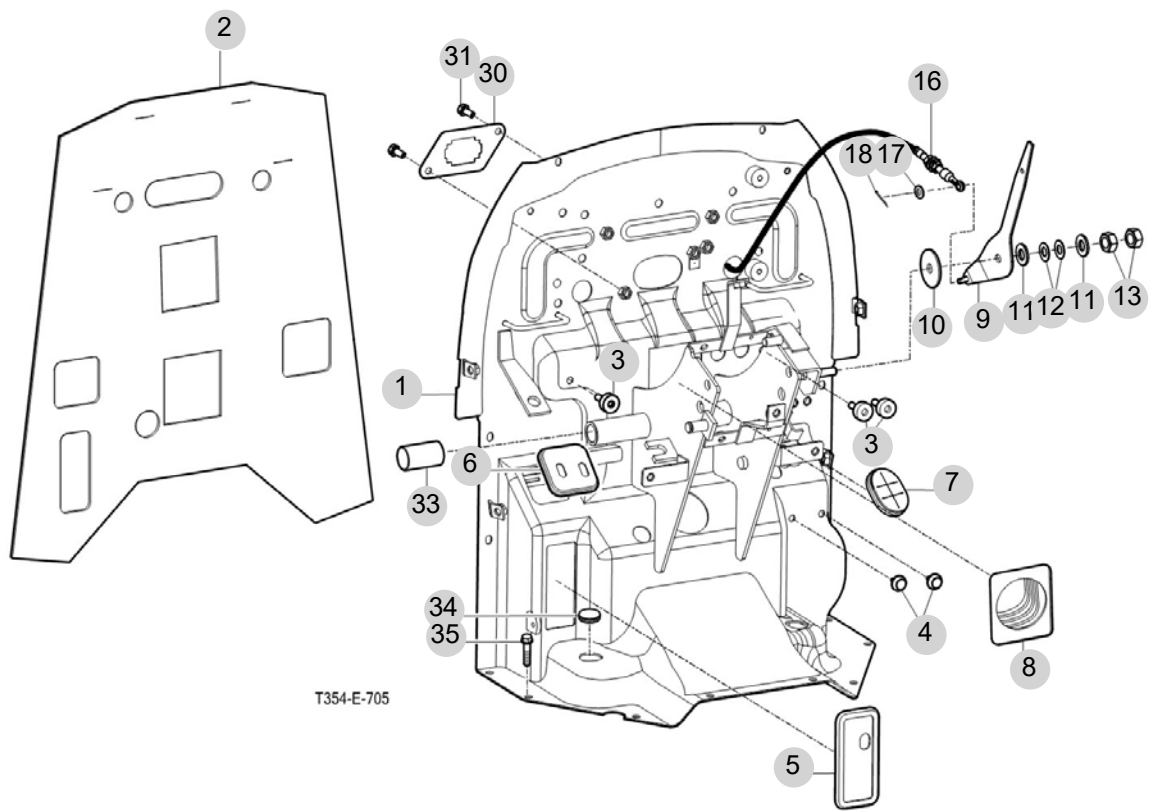
FIG 705

T355NCEU

DASHBOARD

년/월
Year/Month

2022-12



T354-E-705

NOTE

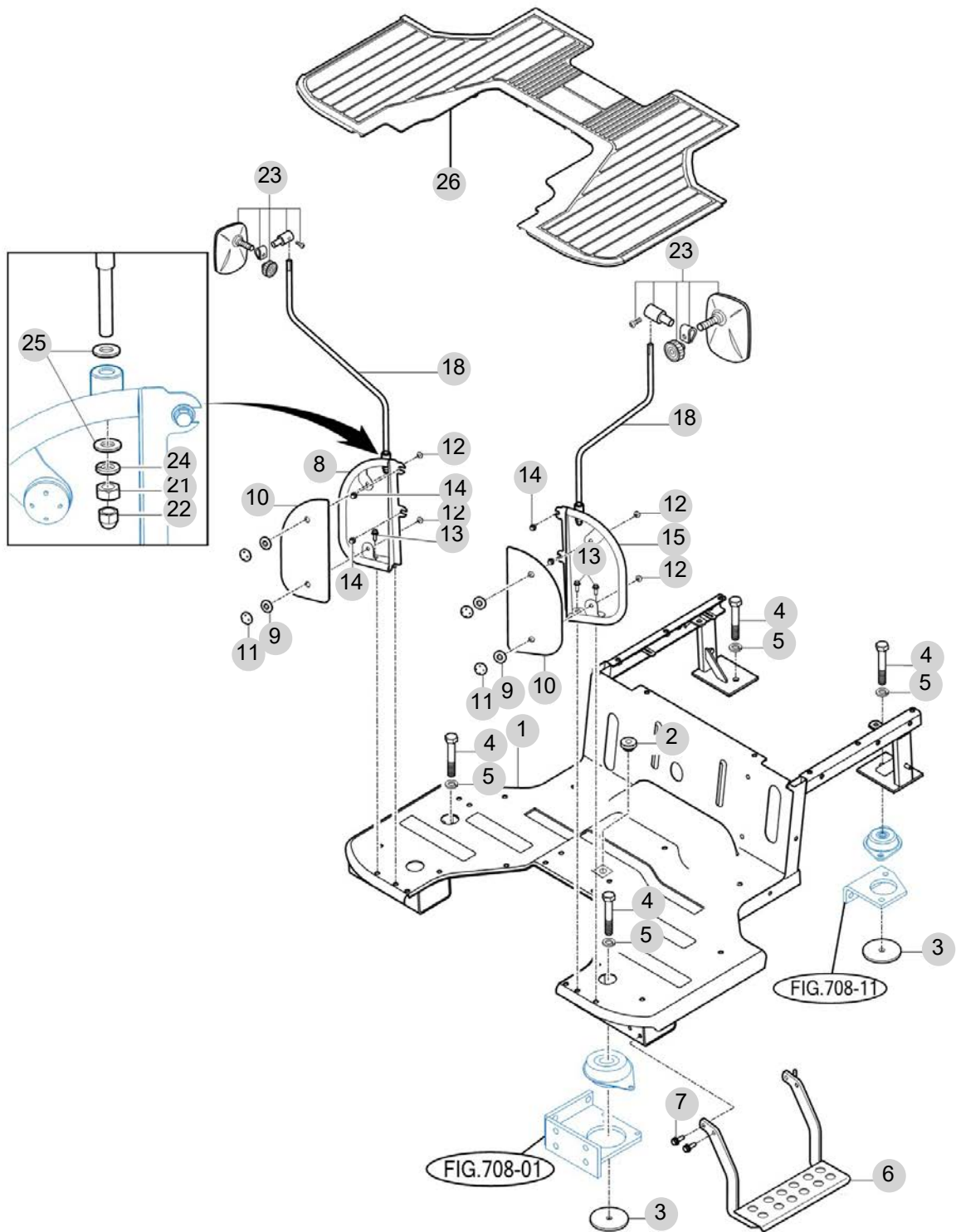
FIG 706

T355NCEU

FLOOR PANEL

년/월
Year/Month

2022-12



T354-E-706

NOTE

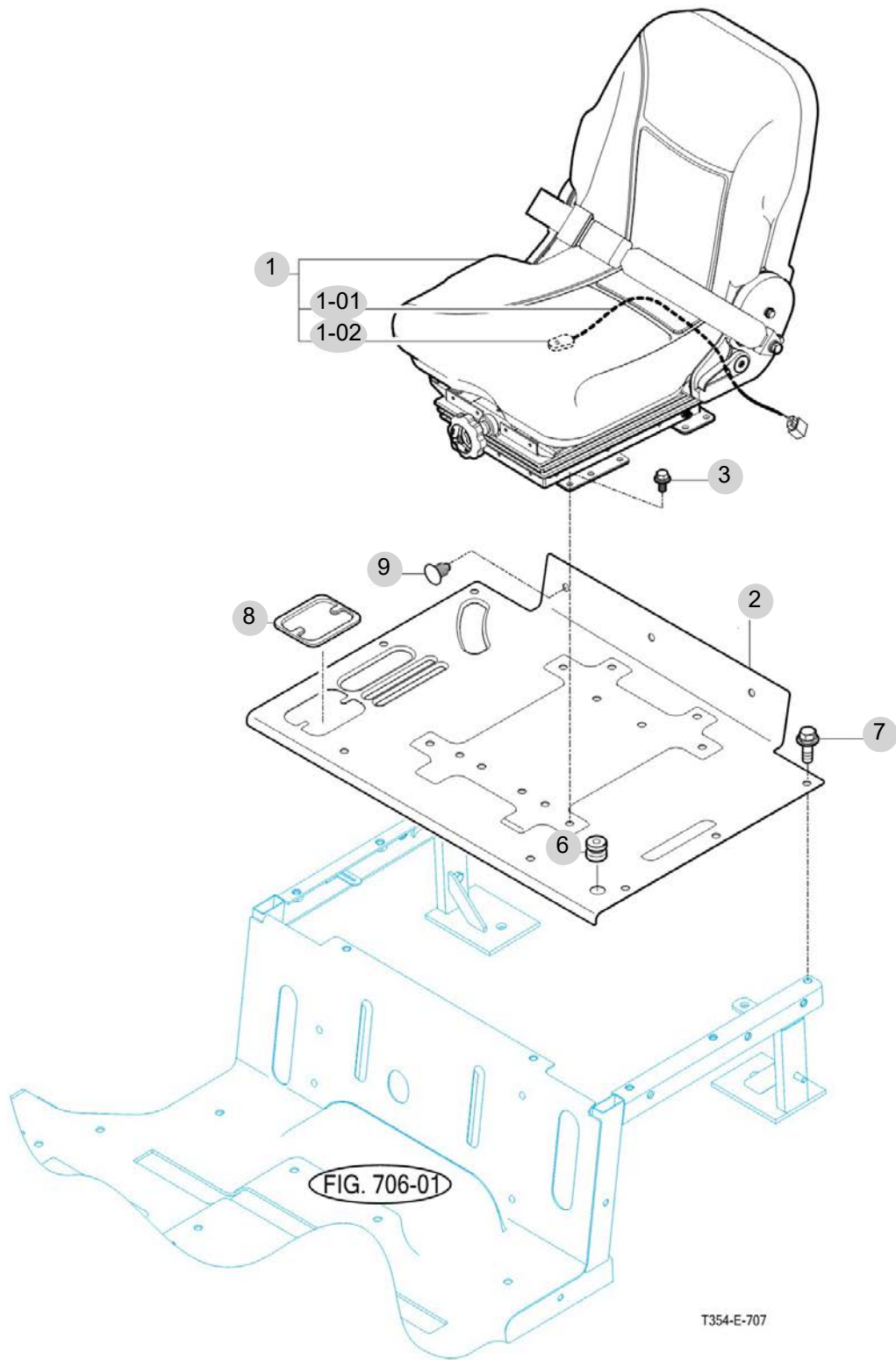
FIG 707

T355NCEU

SEAT

년/월
Year/Month

2022-12



NOTE

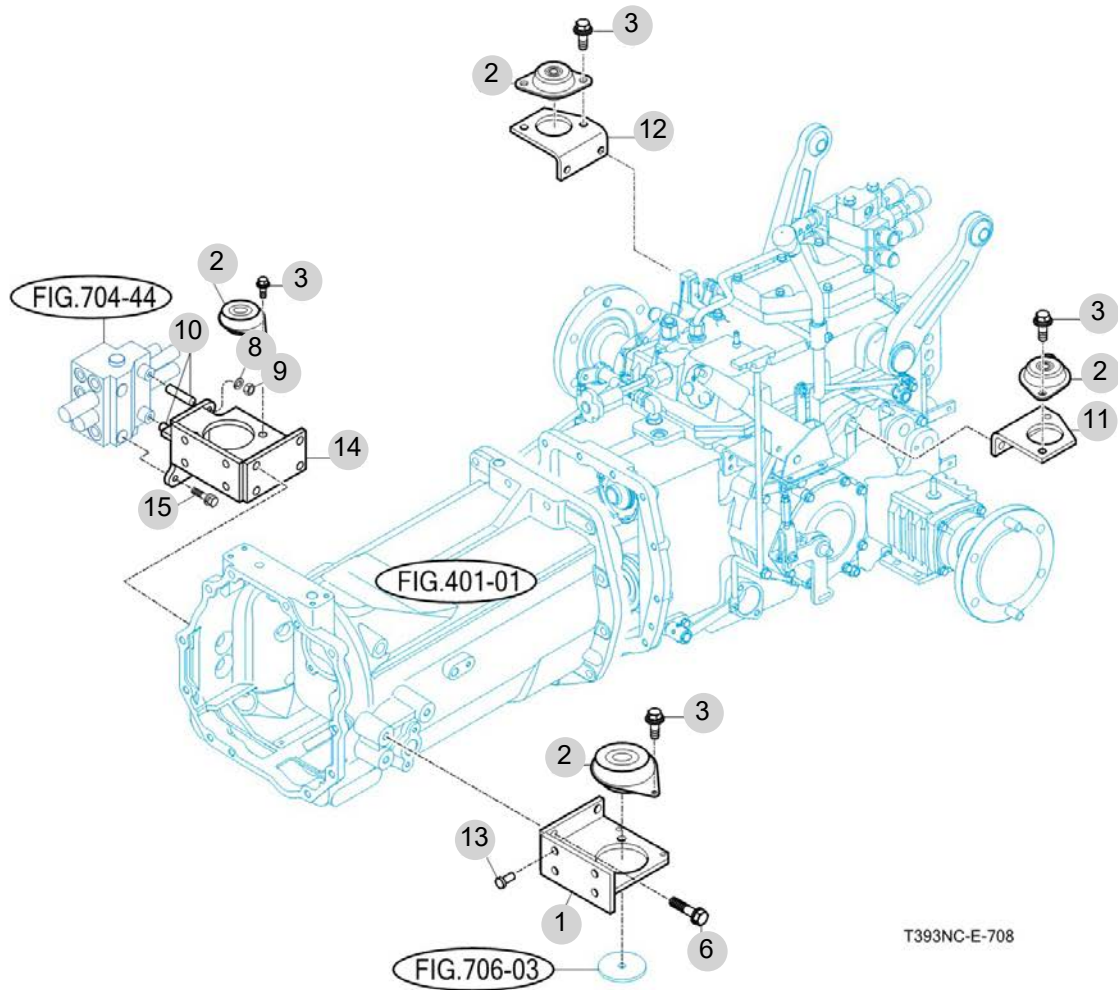
FIG 708

T355NCEU

FRONT & REAR MOUNTING

년/월
Year/Month

2022-12



NOTE

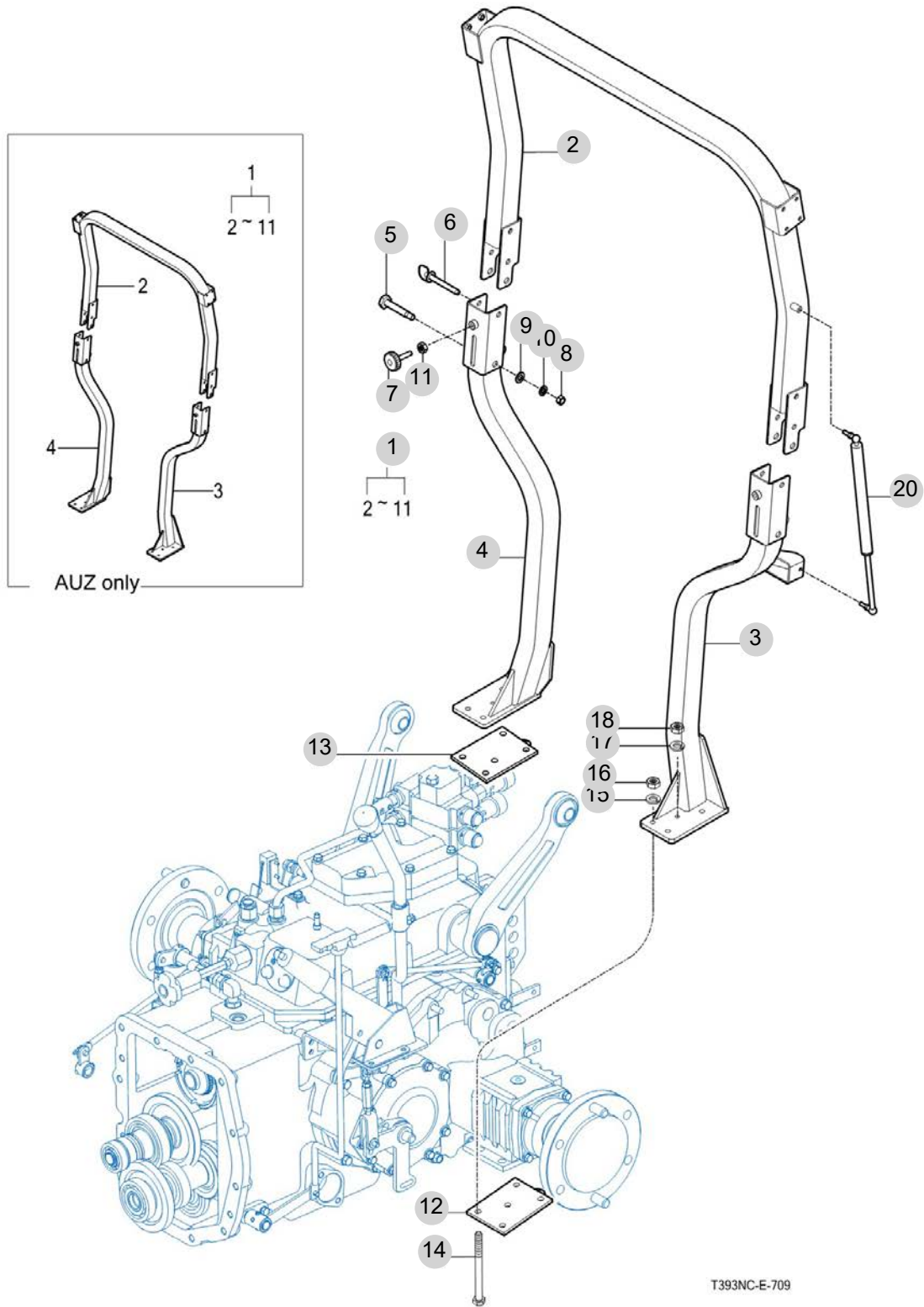
FIG 709

T355NCEU

ROPS

년/월
Year/Month

2022-12



NOTE

8. 전장 PART NO. T8

FIG 801 BATTERY & MOUNTING	176
FIG 802 LAMP	178
FIG 803 INSTRUMENT PANEL	180
FIG 804 ELECTRIC SYSTEM	182
FIG 805 HARNESS (1)	184
FIG 806 HARNESS (2)	186

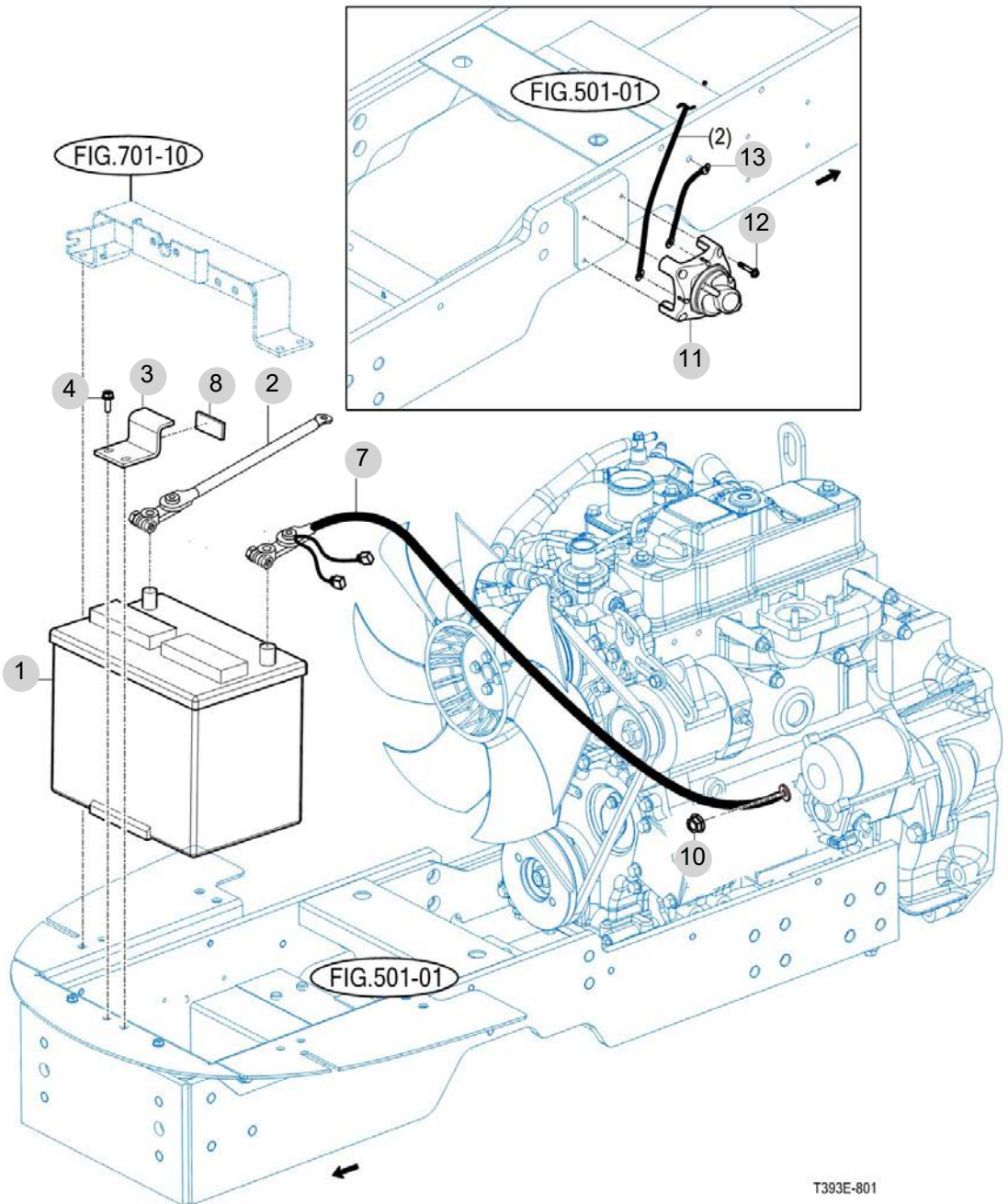
FIG 801

T355NCEU

BATTERY & MOUNTING

년/월
Year/Month

2022-12



T393E-801

NOTE

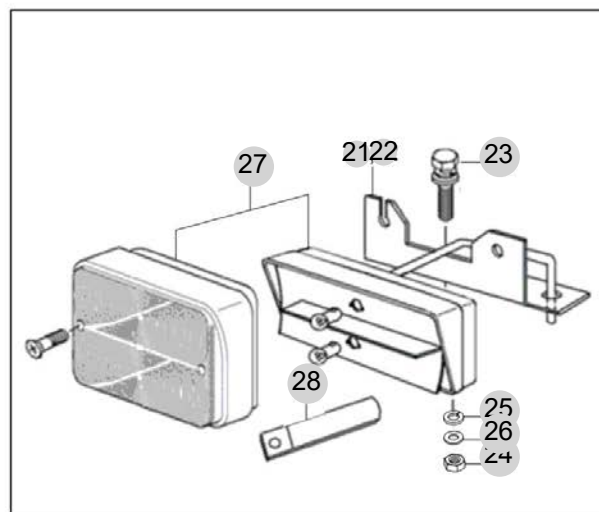
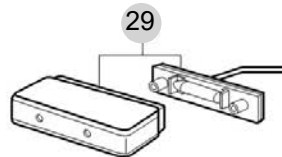
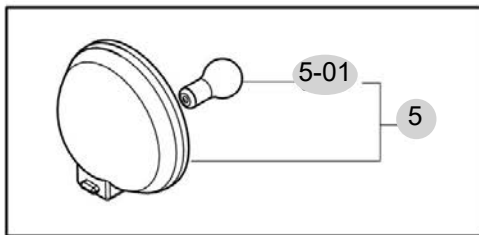
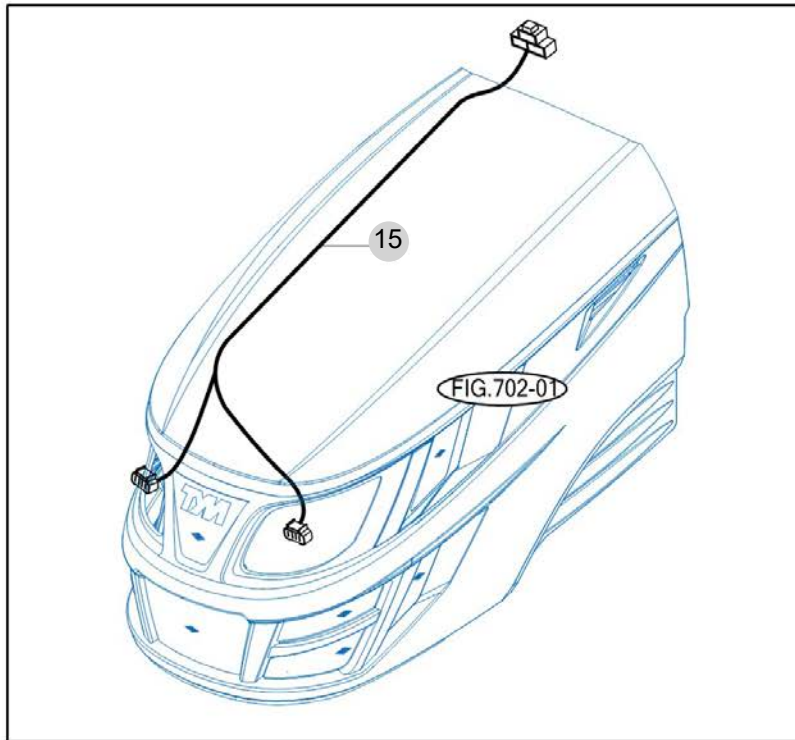
FIG 802

T355NCEU

LAMP

년/월
Year/Month

2022-12



NOTE

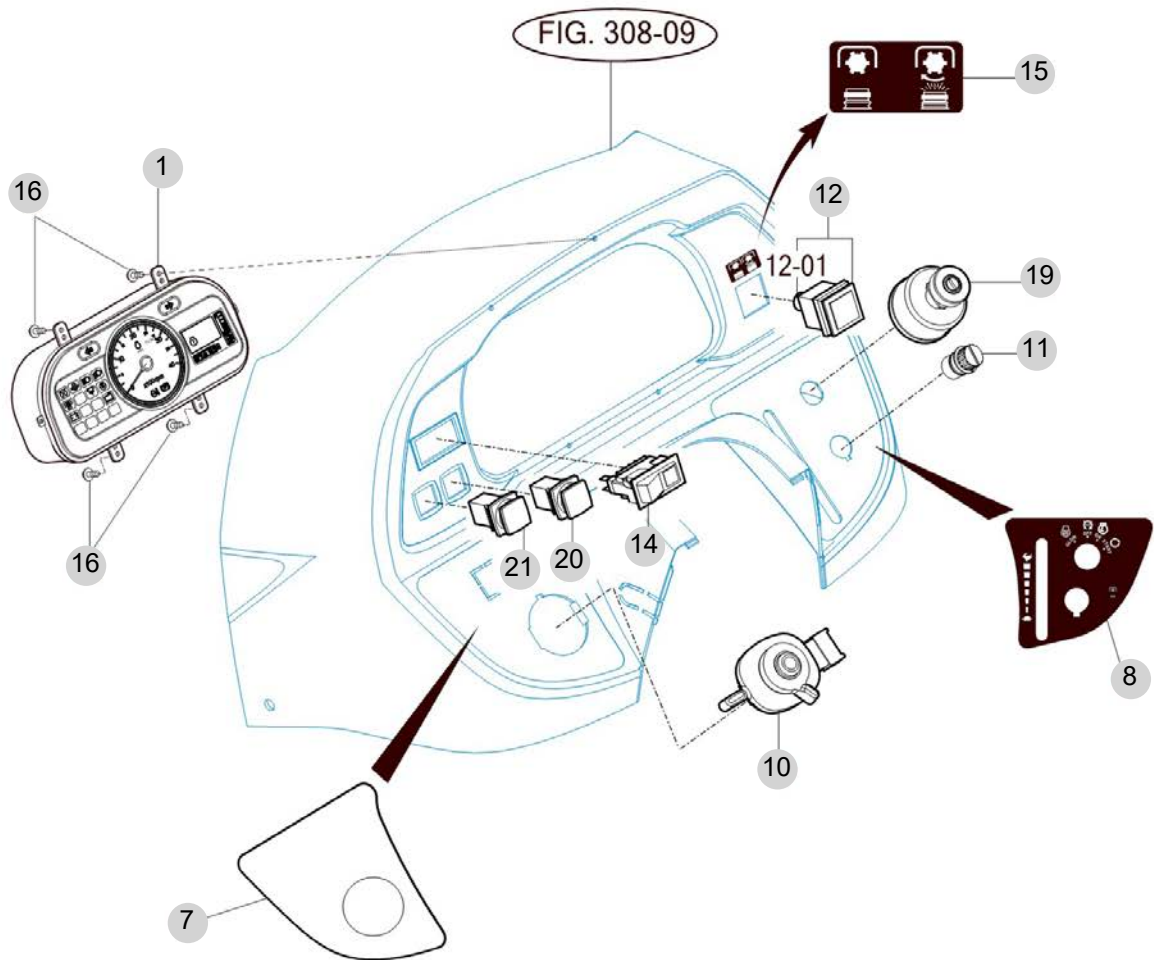
FIG 803

T355NCEU

INSTRUMENT PANEL

년/월
Year/Month

2022-12



T393NC-E-803

NOTE

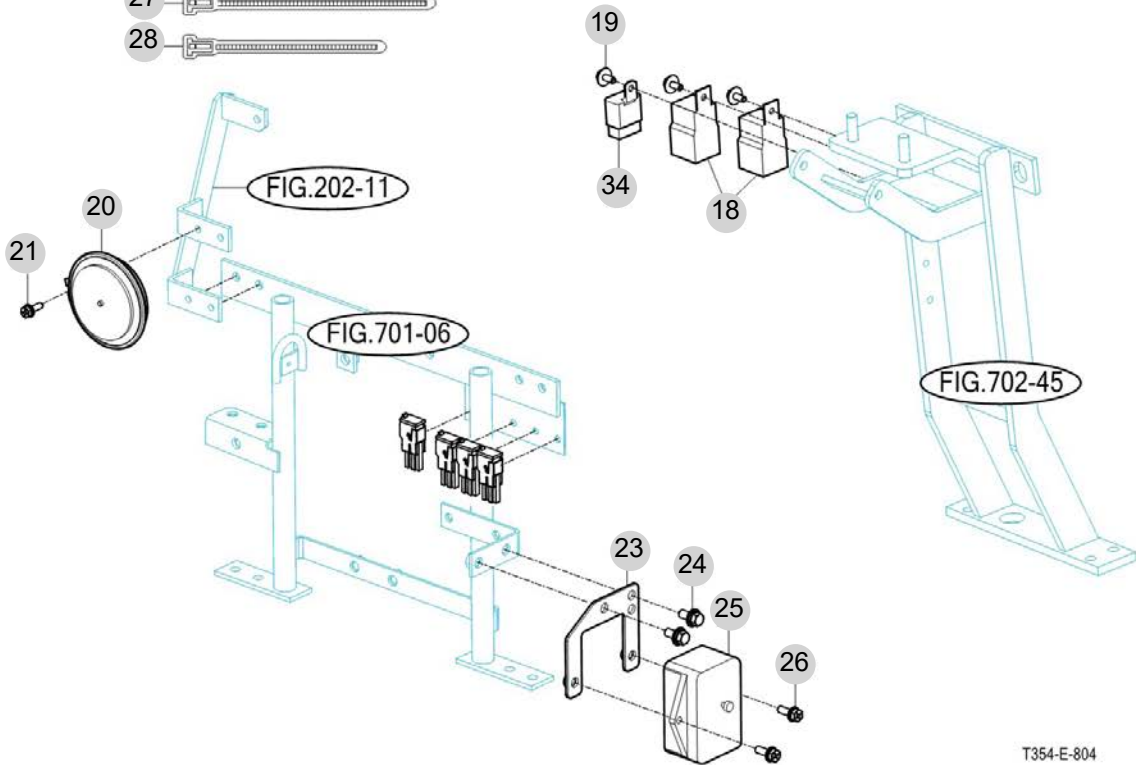
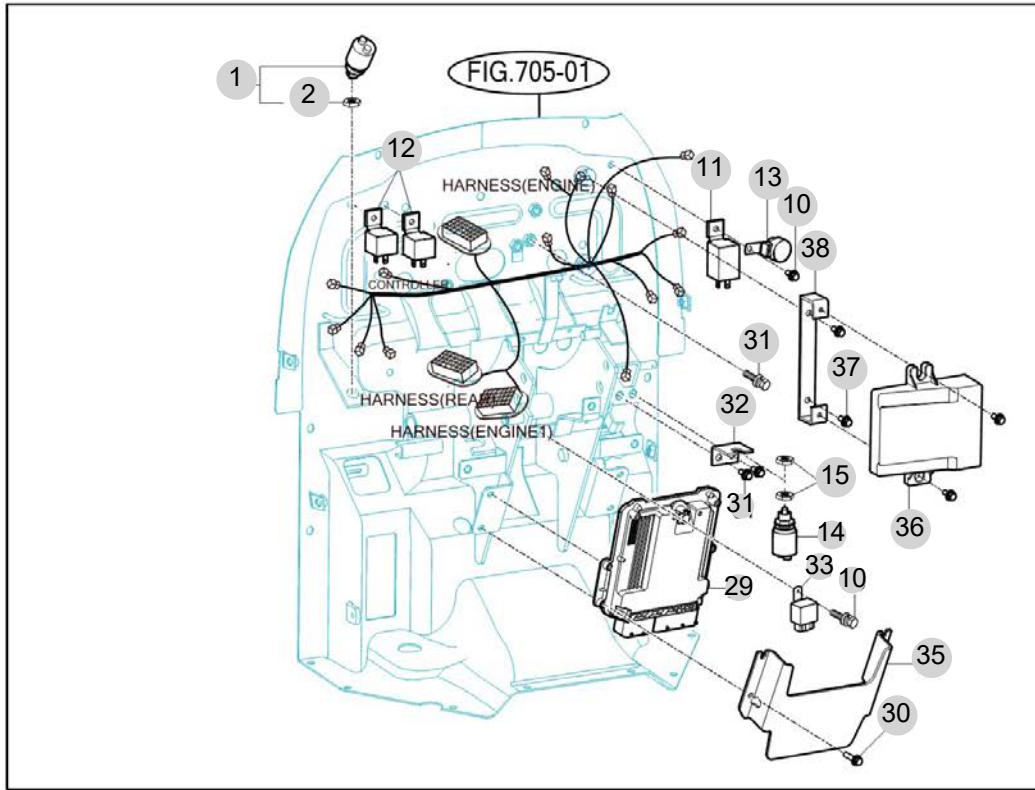
FIG 804

T355NCEU

ELECTRIC SYSTEM

년/월
Year/Month

2022-12



T354-E-804

NOTE

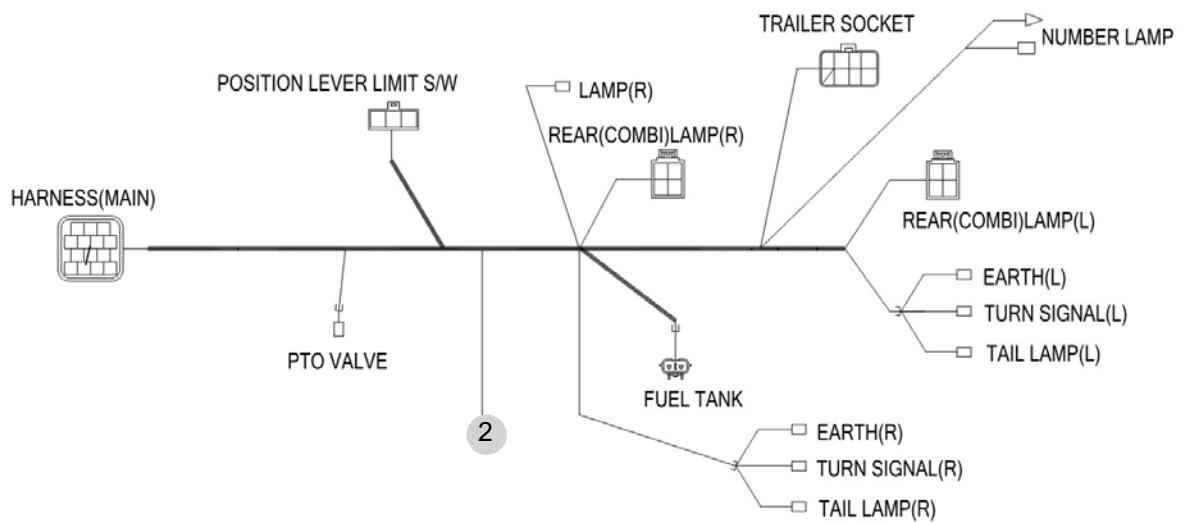
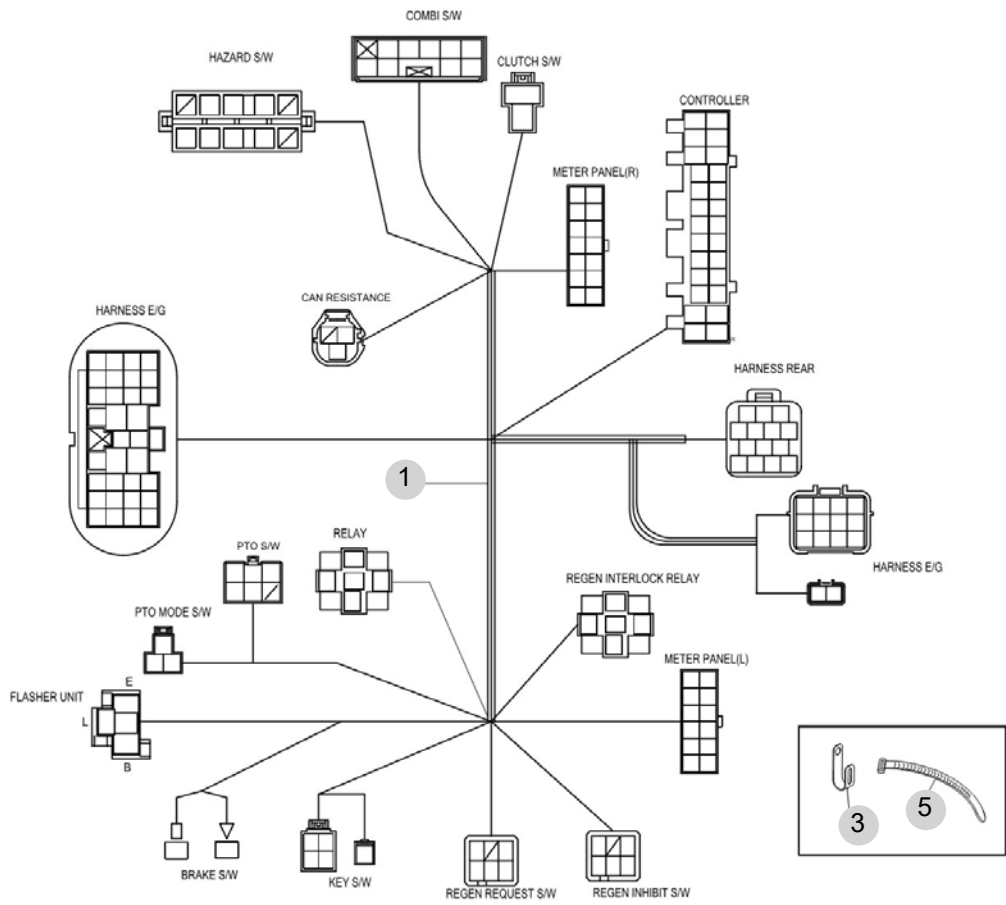
FIG 805

T355NCEU

HARNESS (1)

년/월
Year/Month

2022-12



T354NC-E-805

NOTE

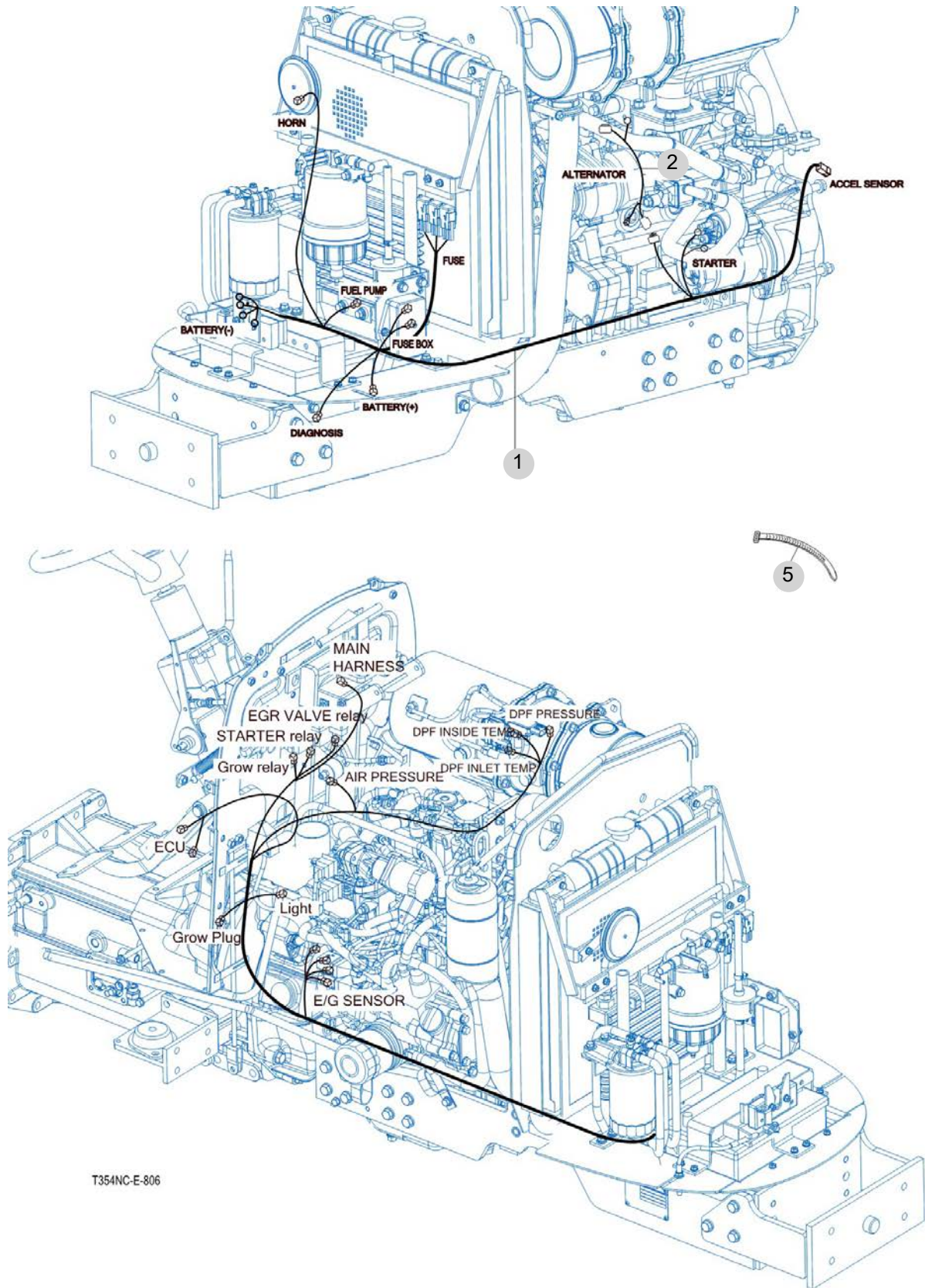
FIG 806

HARNESS (2)

년/월
Year/Month

2022-12

T355NCEU



NOTE

9. 라벨/옵션 PART NO. T9

FIG 901 WEIGHT	189
FIG 902 TOOL & ACCESSORY	191
FIG 903-1 LABEL (1)	193
FIG 903-2 LABEL (2)	195

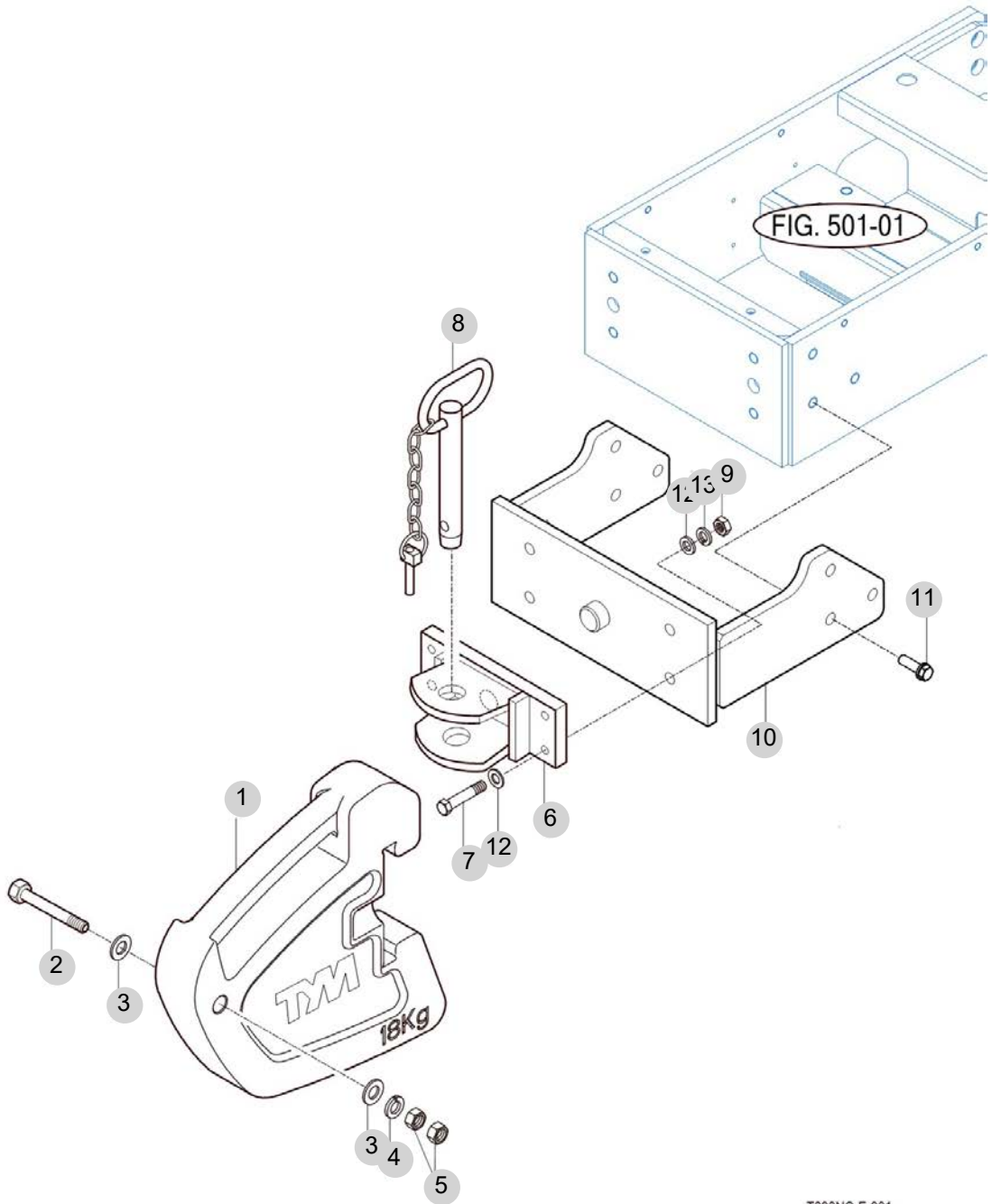
FIG 901

T355NCEU

WEIGHT

년/월
Year/Month

2022-12



T393NC-E-901

NOTE

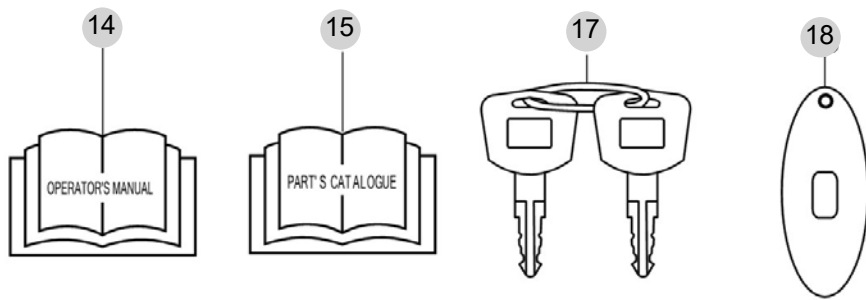
FIG 902

T355NCEU

TOOL & ACCESSORY

년/월
Year/Month

2022-12



T393-E-902

NOTE

WARNING
Death or injury may result if this tractor over turns with the ROPS in the folded down position. Operate this tractor with the ROPS folded down only when necessary. Do not wear seat belt if operated with ROPS folded down.
1223-904-002-0

35

DANGER
This Tractor may tip over unexpectedly and quicker than an operator is able to jump free.
1. Never operate a tractor without a proper Roll over Protection Structure (ROPS)
2. Always wear your seat belt when operating this tractor equipped with roll over protection.
3. Never pull from above or from the rear axle.
4. Do not operate the tractor on steep slopes or near drop offs
5. Avoid sharp high speed turns
Serious injury or death may result from tractor upsets.
1223-904-002-0

36

SPEED TABLES

APPLICATION	REAR AXLE PTO RPM	PTO RPM	REAR AXLE PTO MPH	REAR AXLE PTO KPH	REAR AXLE PTO
0	0	0	0	0	0
1	1	1	1	1	1
2	2	2	2	2	2
3	3	3	3	3	3
4	4	4	4	4	4
5	5	5	5	5	5
10	10	10	10	10	10
20	20	20	20	20	20
30	30	30	30	30	30

2

T355
29

TYM
60

CAUTION
Do not touch while the system is hot. It cause serious burns.
1223-910-024-0

11

DANGER
Do not ride except operator.
1223-910-005-0

13

WARNING
Do not touch while the system is hot. It cause serious burns.
1223-910-024-0

18

WARNING
Work in ventilated Area.
1223-910-004-0

21

27

24

25

WARNING
Additions, alterations, cracking, damage or corrosion to this structure may adversely affect the performance of the ROPS.
1223-910-004-0

46

51

03

50

41

WARNING
Do not use the sub shift lever at "H" position when driving backward.
1223-910-004-0

11

54

55

15

19

8

WARNING
Always fasten Your seat belt.
1223-910-004-0

WARNING
Never use the diff-lock at high speed or on the road as this can cause rollover and injury.
1223-910-004-0

WARNING
Do not remove radiator cap while engine is hot. Hot steam will injure you.
1223-910-015-0

44

37

WARNING
Start engine only from operators seat. If safety start switch is by passed engine can start with transmission in gear.
Do not connect or short across terminal on starter solenoid.
Attach booster cables as shown on battery decal and operators manual.
Starting in gear causing runaway can result in serious injury.
1223-910-004-0

WARNING
Push the button to lock position with joystick lever is neutral whenever the implement is not operation.
1223-910-004-0

37

WARNING
Stay clear of raised Boom and bucket.
1223-910-004-0

38

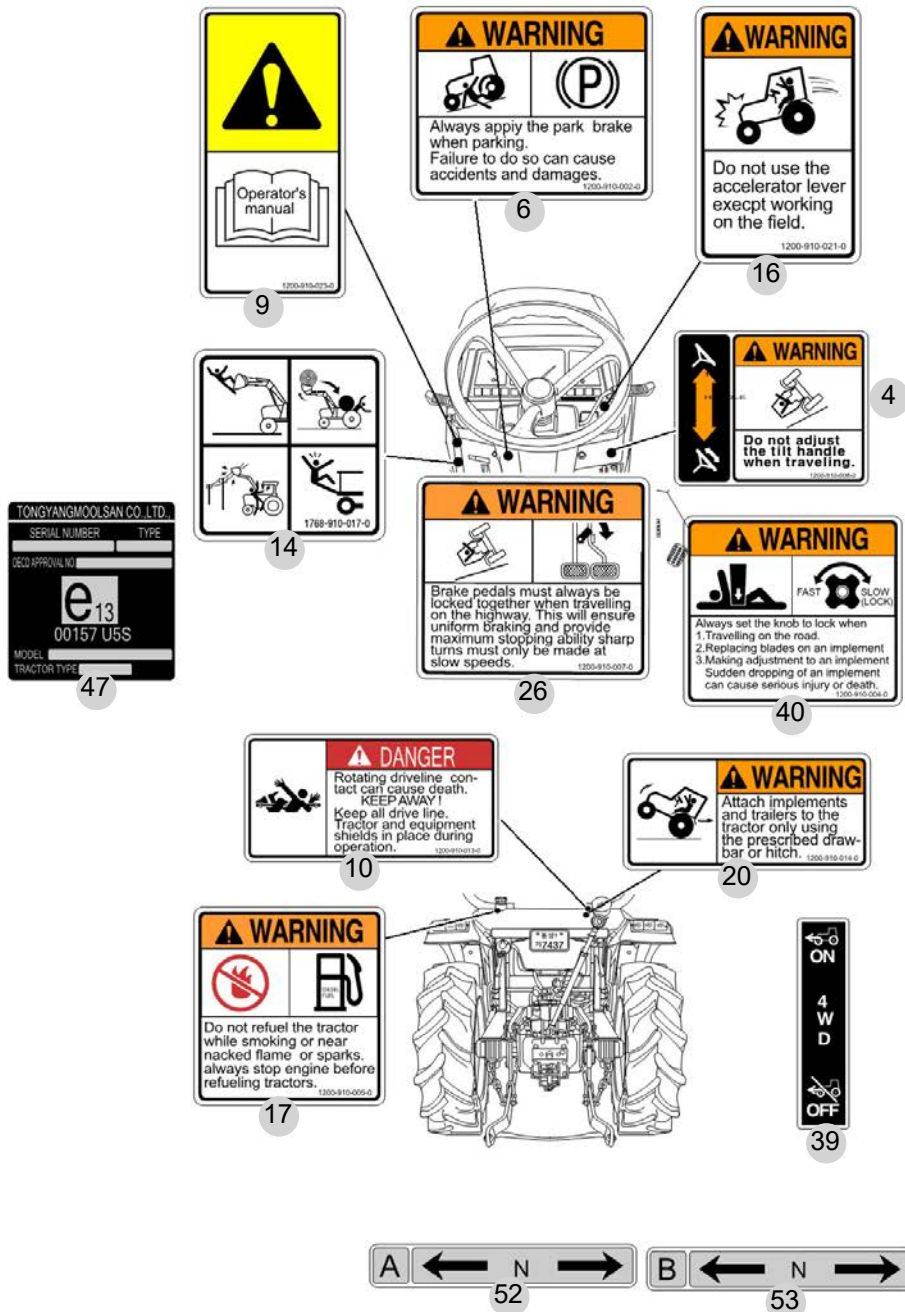
WARNING
Keep hands and clothing away from rotating fan and belts to prevent serious injury.
1223-910-015-0

7

48

56

FIG 903-1		LABEL (1)					년/월 Year/Month	
							2022-12	
T355NCEU								
KEY NO	PART NO	DESCRIPTION	SPEC	QTY	REPAIR	EFFECTIVE DATE	REMARKS	
903-1	2	12339040020	라벨, 취급/차속표		1			
903-1	3	12009040041	유압컨트롤마크		1			
903-1	4	12009100080	라벨, 경고/틸트		1			
903-1	5	12009100240	라벨, 주의/소음기		1			
903-1	6	12009100020	라벨, 경고/파킹		1			
903-1	7	12009100120	라벨, 주의/팬		1			
903-1	8	12009100150	라벨, 경고/라디에이터캡		1			
903-1	9	12009100230	라벨, 주의/취급		2			
903-1	10	12009100130	라벨, 위험/PTO		1			
903-1	11	12009100010	라벨, 경고/부변속		1			
903-1	12	12009100030	라벨, 경고/배기가스		1			
903-1	13	12009100160	라벨, 위험/동승금지		1			
903-1	14	17689100170	라벨, 주의/안전		1			
903-1	15	12009100190	라벨, 경고/안전벨트		1			
903-1	16	12009100210	라벨, 경고/스로틀		1			
903-1	17	12009100050	라벨, 경고/화기염금		1			
903-1	18	17689200050	라벨, 취급/차동고정		1			
903-1	19	12009100060	라벨, 경고/차동고정		1			
903-1	20	12009100140	라벨, 경고/견인		1			
903-1	21	12519020060	라벨(PTO)		1			
903-1	24	15189030060	포트마크(A)		1			
903-1	25	15189030070	포트마크(B)		1			
903-1	26	12009100070	라벨, 경고/브레이크		1			
903-1	27	14979010070	라벨(부변속)		1			
903-1	29	13969010042	마크, /T355		2			
903-1	29	13969010041	마크, T355		2			
903-1	35	12209045020	라벨(ROPS경고)		1			
903-1	36	12209045010	라벨(ROPS위험)		1			
903-1	37	17699100090	라벨, 경고/조이스틱		1			
903-1	38	17699100100	라벨, 경고/조이스틱밸브		1			
903-1	39	12519430040	4WD마크		1			
903-1	40	12009100040	라벨, 경고/스톱밸브		1			
903-1	41	T0019110060	형식명판, 수출/EU		1			
903-1	44	12609040620	경고(스타트)		1			
903-1	46	12209045051	라벨, 경고/개조		1			
903-1	47	13749040690	형식마크(ROPS)		1			
903-1	48	12519040230	드로바명판		1			
903-1	50	12519040190	명판(승강장치/상승) CONTROL ID		1			
903-1	51	12519040200	명판(승강장치/하강) CONTROL ID		1			
903-1	52	12519040920	라벨(보조유압/A)		1			
903-1	53	12519040930	라벨(보조유압/B)		1			
903-1	54	12519100130	라벨, 그리스		1			
903-1	55	12519100140	라벨, 잭포인트		1			
903-1	56	12137025120	라벨, 본넷 오픈		1			
903-1	60	14119010020	라벨, /TYM 60		2			
NOTE								



NOTE

FIG 903-2		LABEL (2)					년/월 Year/Month		
							2022-12		
T355NCEU		KEY NO	PART NO	DESCRIPTION	SPEC	QTY	REPAIR	EFFECTIVE DATE	REMARKS
903-2	2	12339040020	라벨, 취급/차속표			1			
903-2	3	12009040041	유압컨트롤마크			1			
903-2	4	12009100080	라벨, 경고/틸트			1			
903-2	5	12009100240	라벨, 주의/소음기			1			
903-2	6	12009100020	라벨, 경고/파킹			1			
903-2	7	12009100120	라벨, 주의/팬			1			
903-2	8	12009100150	라벨, 경고/라디에이터캡			1			
903-2	9	12009100230	라벨, 주의/취급			2			
903-2	10	12009100130	라벨, 위험/PTO			1			
903-2	11	12009100010	라벨, 경고/부변속			1			
903-2	12	12009100030	라벨, 경고/배기가스			1			
903-2	13	12009100160	라벨, 위험/동승금지			1			
903-2	14	17689100170	라벨, 주의/안전			1			
903-2	15	12009100190	라벨, 경고/안전벨트			1			
903-2	16	12009100210	라벨, 경고/스로틀			1			
903-2	17	12009100050	라벨, 경고/화기염금			1			
903-2	18	17689200050	라벨, 취급/차동고정			1			
903-2	19	12009100060	라벨, 경고/차동고정			1			
903-2	20	12009100140	라벨, 경고/견인			1			
903-2	21	12519020060	라벨(PTO)			1			
903-2	24	15189030060	포트마크(A)			1			
903-2	25	15189030070	포트마크(B)			1			
903-2	26	12009100070	라벨, 경고/브레이크			1			
903-2	27	14979010070	라벨(부변속)			1			
903-2	29	13969010040	마크 오나먼트, T355			2			
903-2	29	13969010041	마크, T355			2			
903-2	29	13969010042	마크, /T355			2			
903-2	35	12209045020	라벨(ROPS경고)			1			
903-2	36	12209045010	라벨(ROPS위험)			1			
903-2	37	17699100090	라벨, 경고/조이스틱			1			
903-2	38	17699100100	라벨, 경고/조이스틱밸브			1			
903-2	39	12519430040	4WD마크			1			
903-2	40	12009100040	라벨, 경고/스톱밸브			1			
903-2	41	15829040220	제조사 식별명판(EU)			1			
903-2	41	T0019110060	형식명판, 수출/EU			1			
903-2	44	12609040620	경고(스타트)			1			
903-2	46	12209045051	라벨, 경고/개조			1			
903-2	47	13749040690	형식마크(ROPS)			1			
903-2	48	12519040230	드로바명판			1			
903-2	50	12519040190	명판(승강장치/상승) CONTROL ID			1			
903-2	51	12519040200	명판(승강장치/하강) CONTROL ID			1			
903-2	52	12519040920	라벨(보조유압/A)			1			
903-2	53	12519040930	라벨(보조유압/B)			1			
903-2	54	12519100130	라벨, 그리스			1			
903-2	55	12519100140	라벨, 잭포인트			1			
NOTE									

